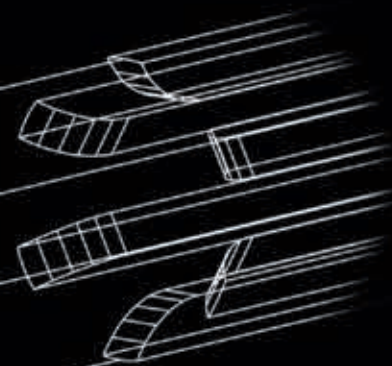


# COVIND

*unlimited quality*



Parafanghi Posteriori  
Riparifango | Paraspruzzi  
Barre Paraincastro  
Rear Mudguards  
Mud protection | Anti-spray  
Rear Bumpers

2016





Parafanghi posteriori      Rear mudguards  
Riparofanghi | Paraspruzzi      Mud protection | Anti-spray  
Barre paraincastro      Rear bumpers

giugno | june 2016





IT

Informazioni utili.

I particolari Covind rispondono ai requisiti comunitari previsti per le parti di ricambio per veicoli. I riferimenti al costruttore ed ai codici originali sono riportati unicamente al fine di identificare l'utilizzo del ricambio. Nelle trattative ed in fase d'ordine si prega di voler sempre citare i nostri codici identificativi.

Il presente catalogo annulla e sostituisce tutti precedenti.

EN

Useful information.

Covind products meet the EU's requirements for the spare/body parts of vehicles. All OEM references are indicated exclusively to identify the component use only. Kindly in the phase of enquiry and ordering please indicate Covind references.

The present catalogue amends and replaces previous ones.

FR

Informations pratiques.

Les composants Covind répondent aux exigences communitaires en matière de pièces de rechange pour les véhicules. Toutes références aux fabricants et aux codes d'origines sont indiquées seulement dans le but d'identifier l'utilisation des pièces. Dans les négociations et les commandes, veuillez bien citer nos propres codes.

Le present catalogue annule et remplace tous les precedents.

ES

Informaciones utiles.

Todos los productos Covind responden a los requisitos comunitarios para los repuestos de vehículos.

Las referencias a los fabricantes y a los códigos originales son mencionadas solo para identificar el uso de los componentes. En las negociaciones y en los pedidos se ruega mencionar siempre nuestros códigos.

El presente catálogo anula y sustituye todos los anteriores.

DE

Hinweise.

Die Covind Produkte erfüllen die Vorgaben der EG Richtlinie für Fahrzeugersatzteile. Die Teilenummer der Neufahrzeug-hersteller sind nur genannt um die Covind Ersatzteil zu identifizieren. Bei Anfragen und bei Bestellungen bitten wir Sie um die Angaben der Covind-Teilenummer. Der beigelegte Katalog ersetzt und annulliert die vorhergehenden Kataloge.

Die vorhergehenden Kataloge sind ungültig.

RUS

Продукция Covind соответствует европейским требованиям, предъявляемым к запчастям / кузовным деталям. Все ссылки на оригинальные номера указаны исключительно для идентификации использования компонентов. Просим Вас при запросах и заказах указывать номера Covind. Настоящий каталог заменяет все предыдущие издания.

PL

Produkty Covind'a spełniają wymagania Unii Europejskiej dotyczące części zamiennych nadwozia. Wszystkie numery OEM są podane wyłącznie w celu identyfikacji części. Prosimy w fazie zapytania i zamówienia podawać numery referencyjne Covind'a. Niniejszy katalog anuluje i zastępuje poprzednie.

CZ

Užitečná informace  
Výrobky firmy Covind splňují směrnice EU náhradních karosářských dílů vozidel. Všechna OEM čísla jsou udávány pouze pro identifikaci komponentů. Budete-li požívat a objednávat zboží, prosím použijte objednávací čísla Covindu.

Současný katalog doplňuje a nahrazuje ten předcházející.

RO

De citit.

Produsele Covind, corespund cerintelor Comunitatii Europene, prevazute pentru piesele de schimb destinate autovehiculelor. Caracteristicile, referitoare la casele constructoare si la codurile originale, sunt specificate pentru a se putea identifica utilitatea produsului. Pe durata tratativelor, precum si pentru emiterea ordinelor, sunteti rugati sa utilizati, intotdeauna codurile noastre (Covind) identificative. Prezentul catalog, le anuleaza si le inlocuieste pe toate celelalte precedente.

عربي





### 3. IVECO

AS Stralis 2013 (HI-WAY)

3. paraspruzzi anti-spray

5. parafanghi posteriori rear mudguards

AD/AT-AS Stralis 2007

9. parafanghi posteriori rear mudguards

AS Stralis

13. riparifango mud protection

15. paraspruzzi anti-spray

17 parafanghi posteriori rear mudguards

AD/AT Stralis

27. riparifango mud protection

Eurotech

29. riparifango mud protection

39. parafanghi posteriori rear mudguards

Eurotrakker

53. riparifango mud protection

Turbostar

55. riparifango mud protection

59. paraspruzzi anti-spray

61. parafanghi posteriori rear mudguards

Turbotech

63. paraspruzzi anti-spray

95 Eurocargo 2008

65. riparifango mud protection

Tector Restyling 125

67. riparifango mud protection

Tector Restyling 75

71. riparifango mud protection

Eurocargo 150

75. riparifango mud protection

Eurocargo 120

77. riparifango mud protection

Eurocargo 60

81. riparifango mud protection

Eurocargo

85. paraspruzzi anti-spray

Gamma Zeta

89. riparifango mud protection

91. paraspruzzi anti-spray

OM 40

93. riparifango mud protection

OM 190 - Turbotech - Turbostar

95. riparifango mud protection

OM 165 seconda serie - second series

97. riparifango mud protection

130

99. riparifango mud protection

691

105. riparifango mud protection

684

107. riparifango mud protection

682

115. riparifango mud protection

645

119. riparifango mud protection

643

121. riparifango mud protection

Daily S-2000 S-2006 S-2009 S-2012

123. paraspruzzi anti-spray

New Daily - New Daily' 96

127. paraspruzzi anti-spray

## 131. DAF

XF105

131. parafanghi posteriori rear mudguards

XF95

145. riparifango mud protection

147. parafanghi posteriori rear mudguards

CF85

155. riparifango mud protection

LF45-55

157. riparifango mud protection

## 161. MAN

TGX

161. parafanghi posteriori rear mudguards

195. paraspruzzi anti-spray

TGA XLX - XXL

197. riparifango mud protection

201. parafanghi posteriori rear mudguards

F2000 - F2000 Cava-Cantiere - Yard & Quarry

205. riparifango mud protection

## 211. MERCEDES-BENZ

Actros 4

207. parafanghi posteriori rear mudguards

Actros 2

213. parafanghi posteriori rear mudguards

Actros 1

241. parafanghi posteriori rear mudguards

MB649

245. riparifango mud protection

MB641

247. parafanghi posteriori rear mudguards

MB381

251. riparifango mud protection

MB347

255. riparifango mud protection

MB322

259. riparifango mud protection

## 257. RENAULT

New Premium

261. riparifango mud protection

263. parafanghi posteriori rear mudguards

Premium

299. parafanghi posteriori rear mudguards

## 305. SCANIA

144 CR

305. parafanghi posteriori rear mudguards

R CG-CR

311. parafanghi posteriori rear mudguards

## 327. VOLVO

FH euro 6

327. riparifango mud protection

FH 13 serie 2008 - FH 13 series 2008

329. riparifango mud protection

331. parafanghi posteriori rear mudguards

FH 12-16 seconda serie - second series

357. parafanghi posteriori rear mudguards

FH 12-16 prima serie - first series

369. parafanghi posteriori rear mudguards



**373. PAT**

parafanghi posteriori universali standards rear mudguards

**375. PFG - zinco-gomma** PVC/zinc-plated

parafanghi posteriori universali standards rear mudguards

**381. TPL Polipropilene** Polypropylene

parafanghi posteriori universali standards rear mudguards

parafanghi speciali special mudguards

**387. TPS Polietilene** Polyethylene

parafanghi posteriori universali standards rear mudguards

**411. PRV**

parafanghi posteriori universali standards rear mudguards

**BARRE PARAINCASTRO** REAR BUMPERS

**425. luci d'ingombro** side markers

**427. PRP barre paraincastro** rear bumpers

**447. PRP cantonali** side bumpers

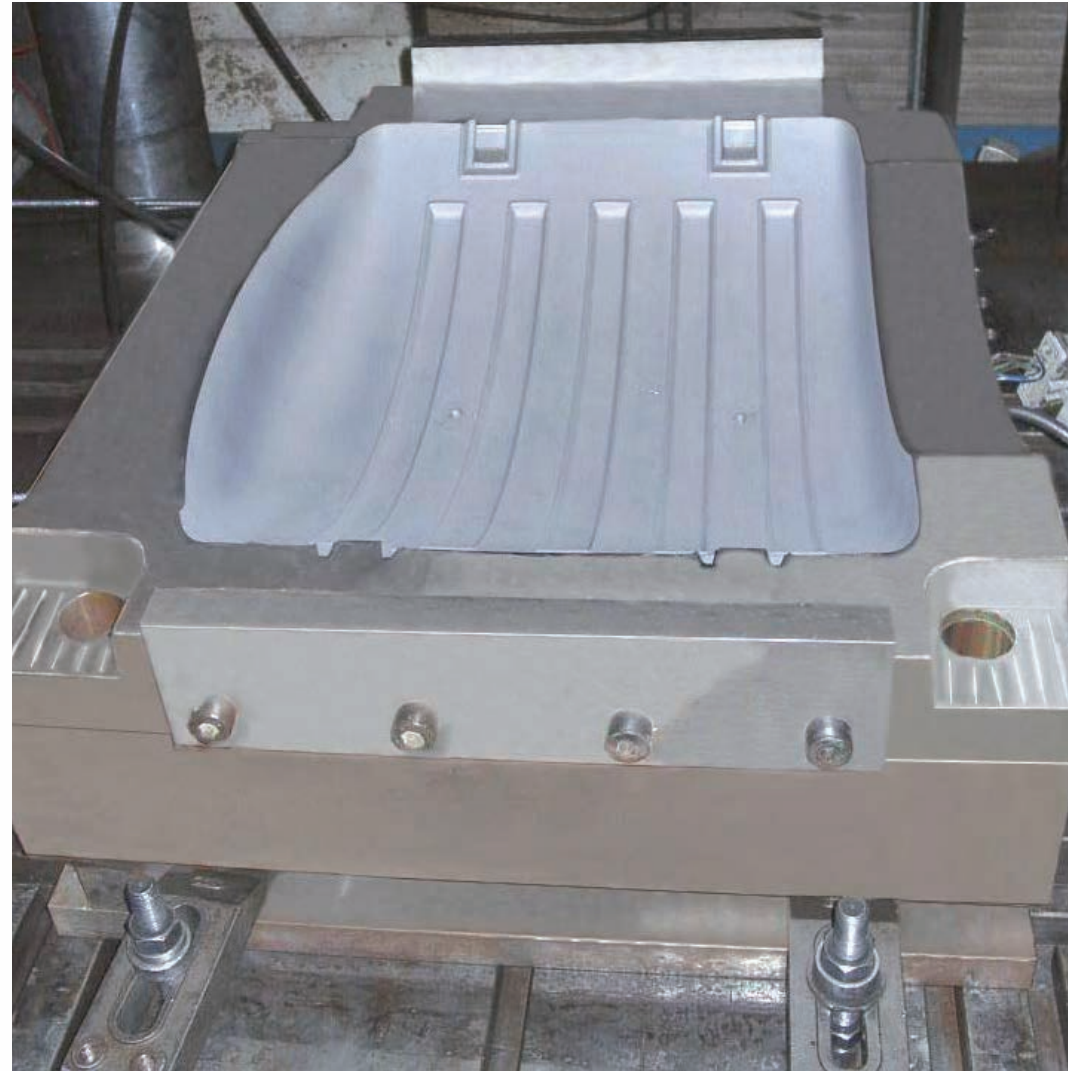
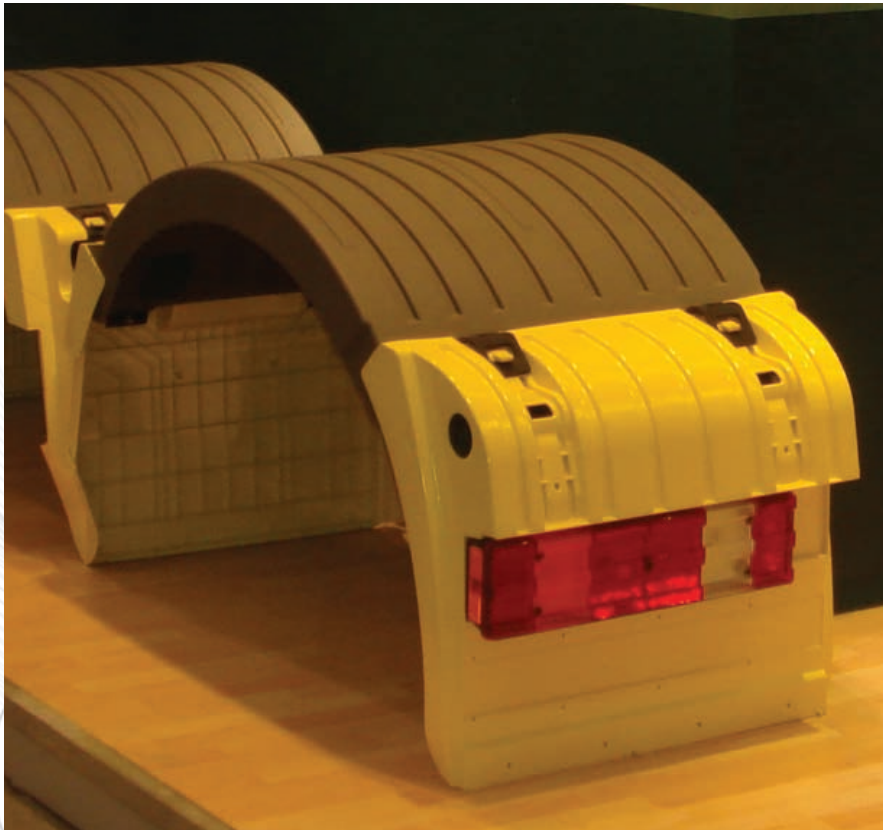
**459. PRP staffe** brackets

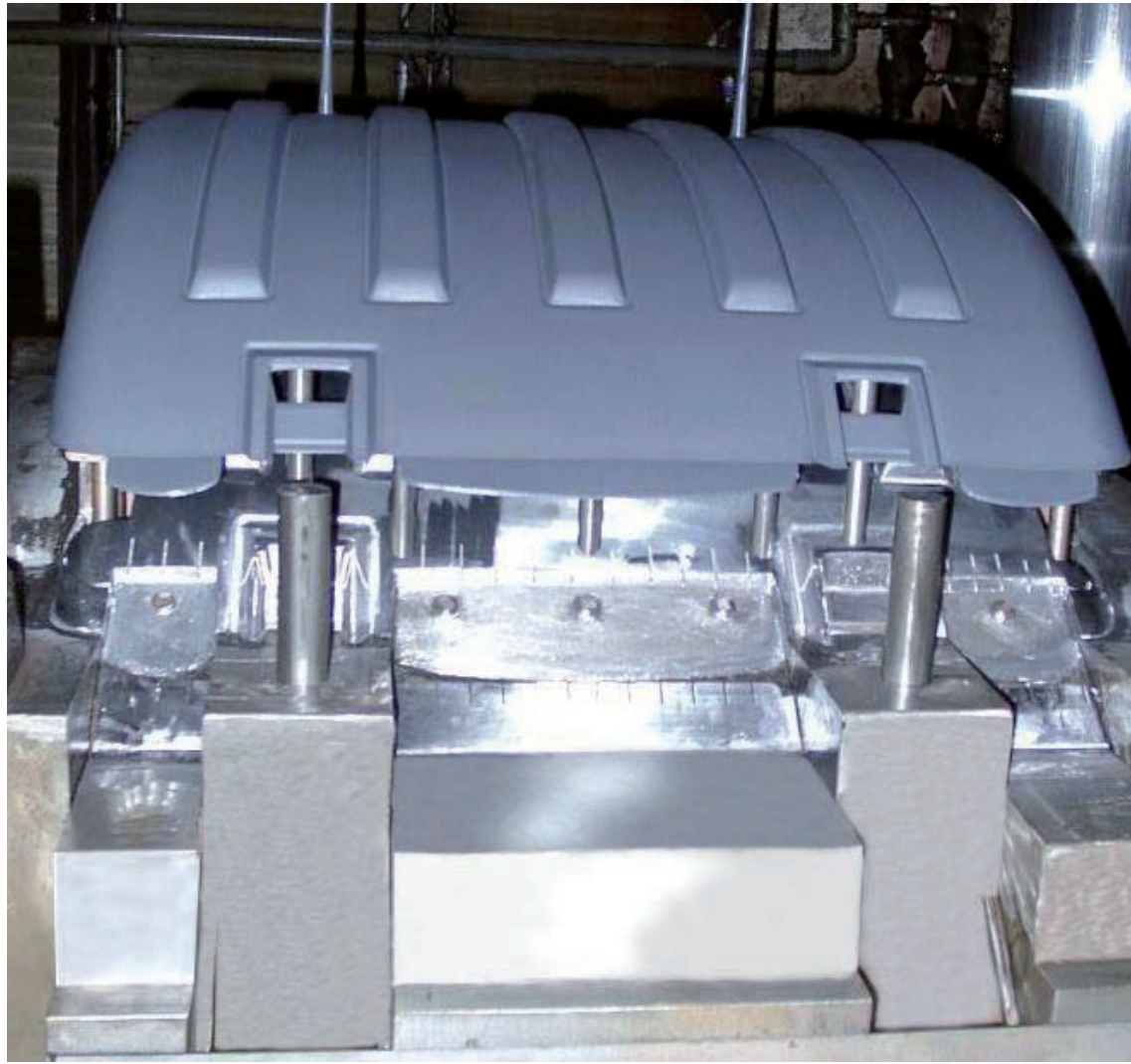
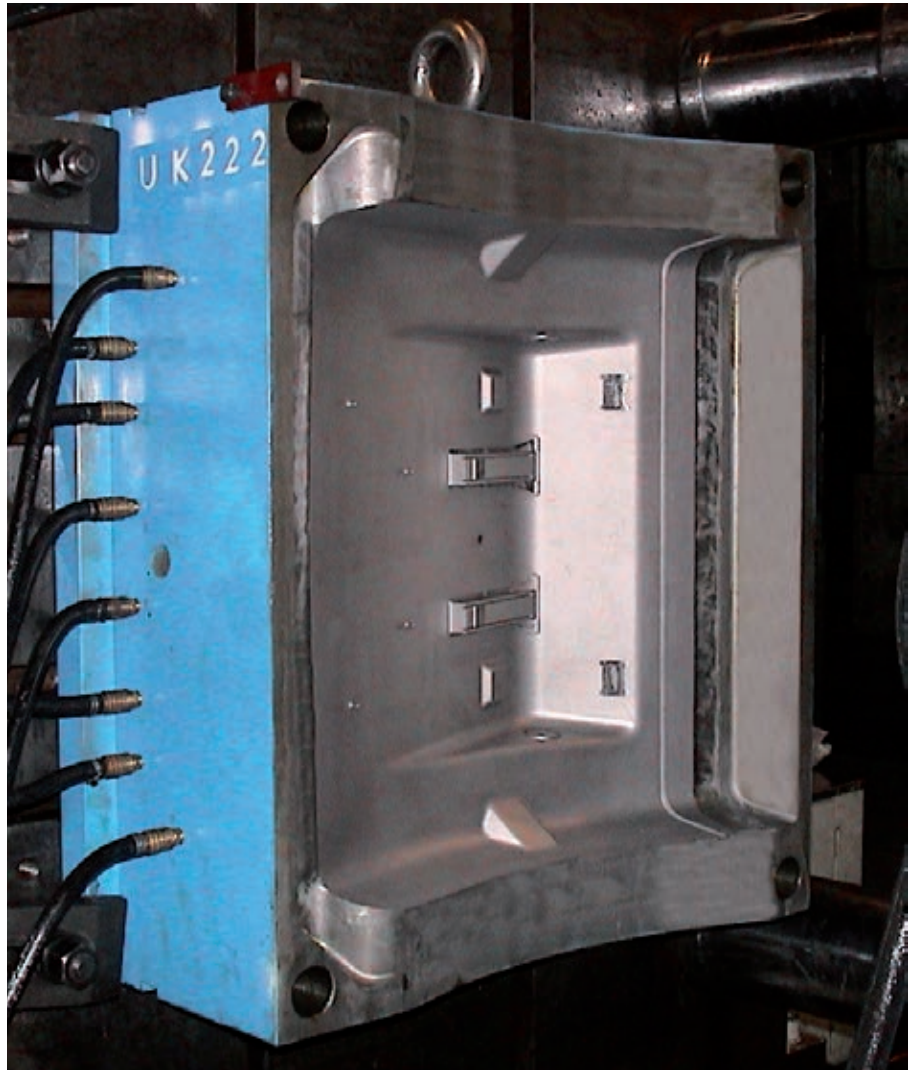


# produzione the production

Alcune fasi delle lavorazioni dei nostri parafanghi posteriori presso il nostro sito di produzione .

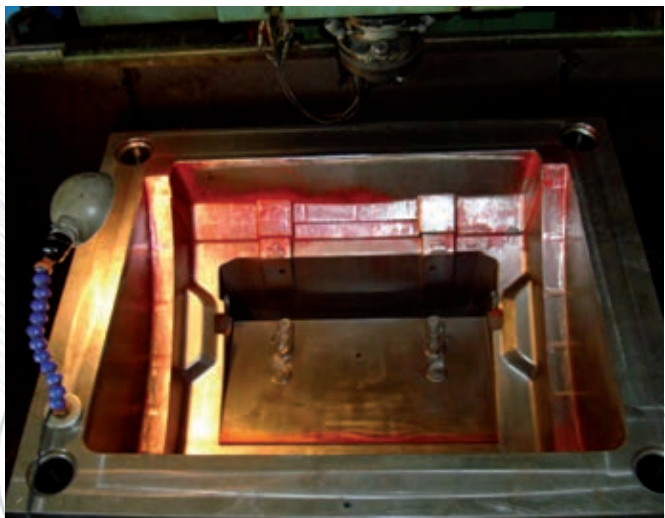
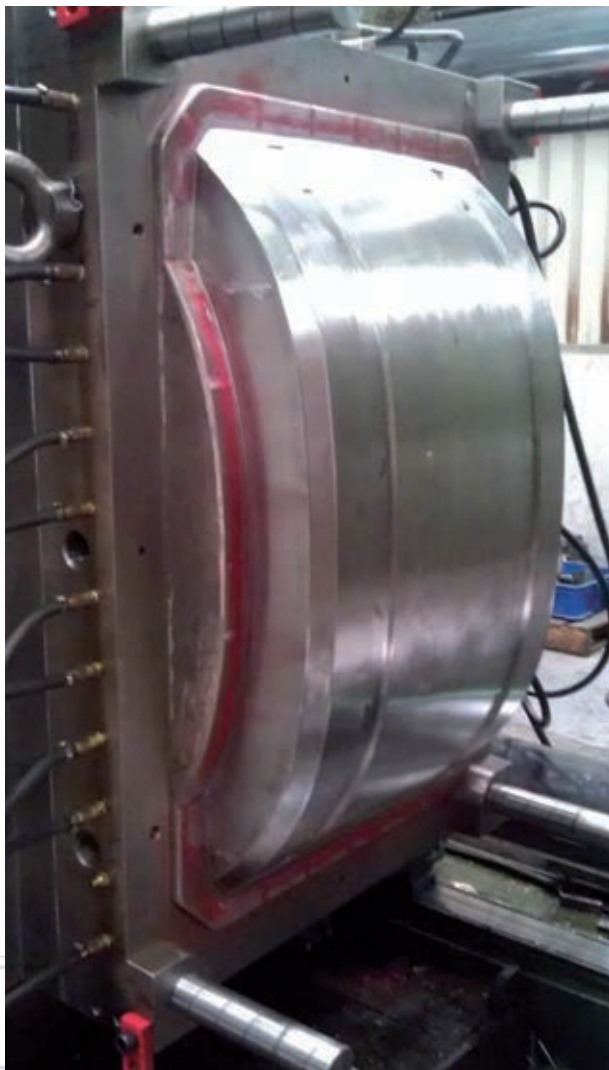
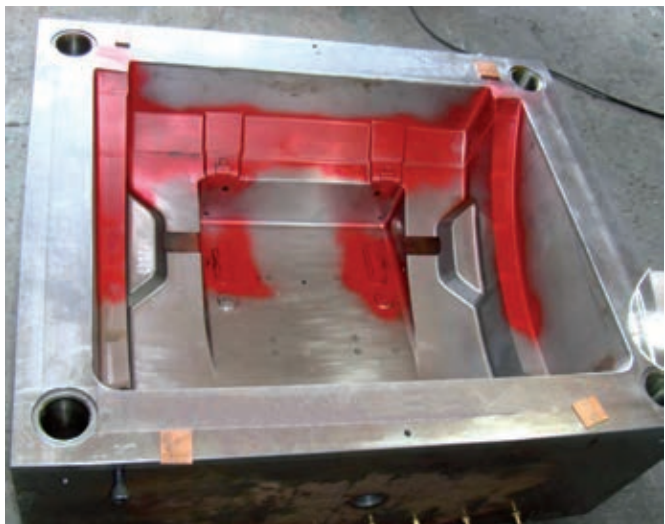
Several phases of the construction of our rear mudguards at our production unit.



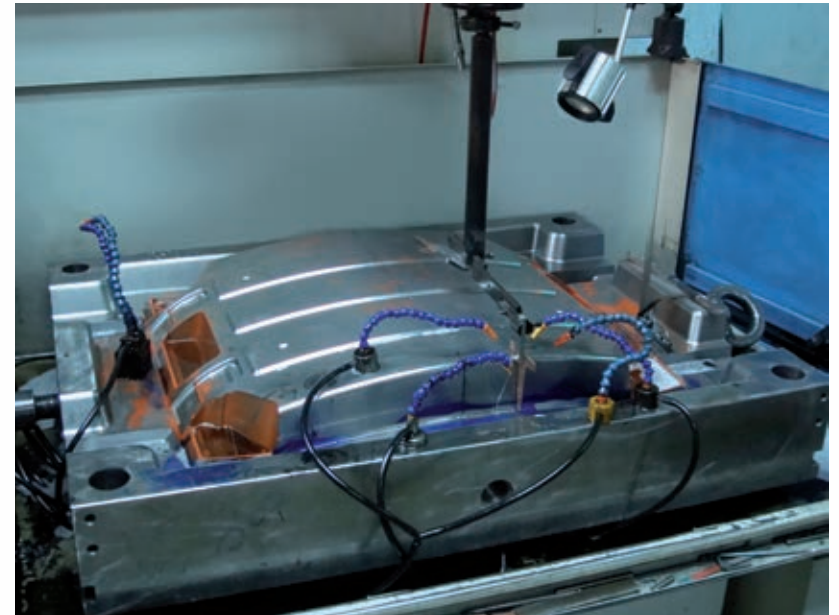
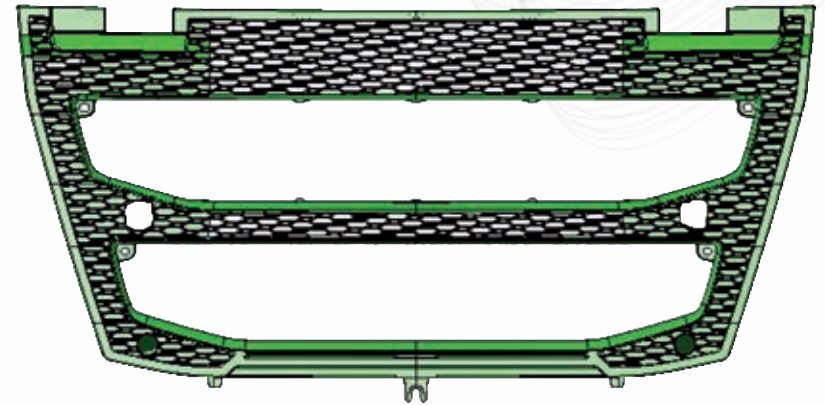
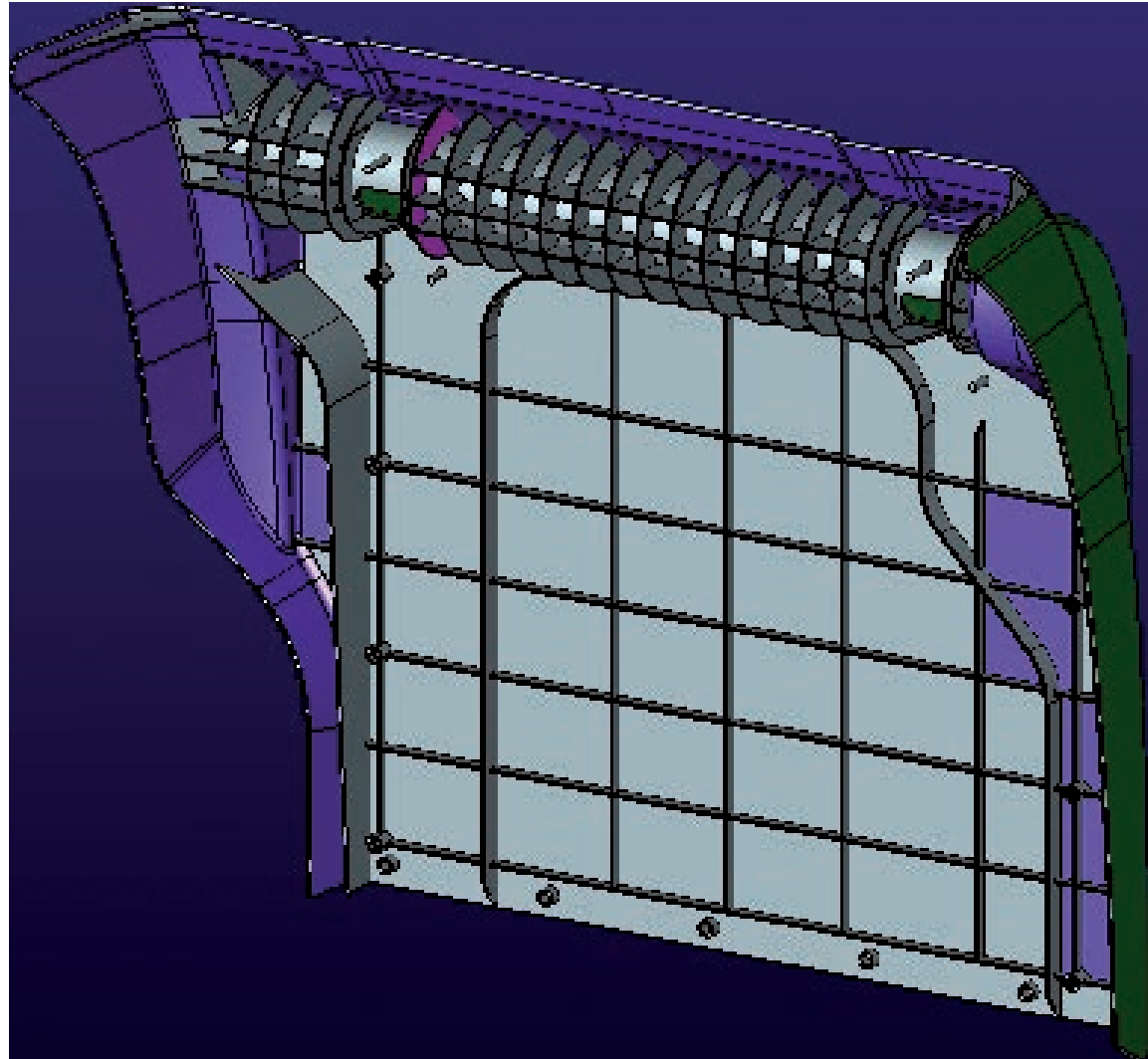




# produzione the production







# tabelle comparative cross reference

Codice Covind Covind Ref.	O.E.M. O.E.M.	Pagina Page	190/320	4692217	94	240/519	42124555	40	540/528	41213731	5,9,17,19,24,25
			190/320	4692219	94	240/520	41003236	38,39,40,41,43,45	540/529	41213729	24,25
			190/321	42344425	94	240/521	41002927	38,4	560/518	41298962	5,8,9
<b>IVECO</b>			190/321	4692218	94	240/521	42125604	38,4	560/519	41298964	5,8,9
040/320	9051239	92,93	190/321	4692220	94	240/522	41003047	38,39,40,41,43,45	560/519	41298965	5,8,9
040/321	9051240	92,93	190/322	4750846	62,63	240/522	42125606	38,39,40,41,43,45	560/520	41298975	4,5,8,9
060/320	8142621	80	190/323	4750897	58,59,62,63	240/523	41003046	38,4	560/521	41298976	4,5,8,9
060/321	8142626	80	192/316	42342627	54	240/523	42124762	38,4	560/522	41298974	10,11
060/324	500318341	82	192/317	42342626	54	240/528	41210252	46,47,48,49	560/523	41298973	10
060/325	500318345	82	192/324	42341950	58,59	240/528	2997164	46,47,48,49	560/524	41298888	10,11
075/320	504055092	70	192/518	4816243	60,61	240/529	41032403	46,47,48,49	560/525	41298887	10
075/320	504080978	70	192/519	4816244	60,61	240/529	2997164	46,47,48,49	580/518	41298972	4
075/321	504055093	70	192/520	4816035	60,61	240/530	41032400	46,47	580/519	41298963	4
075/321	504080979	70	194/320	42348216	56	240/530	2997166	46,47	580/328	41271247	2
075/324	504027536	72	194/321	42348215	56	240/531	41032399	48,49	580/538	41299385	6,7,16
075/324	504080951	72	240/312	3798110	52	240/531	2997165	48,49	580/539	41299384	4,6,7,18
075/325	504027537	72	240/313	3798109	52	240/532	41210255	46,47,48,49	643/320	4599506	120
075/325	504080952	72	240/314	3796975	28	240/532	2997164	46,47,48,49	643/321	4599507	120
079/318	9062678	88	240/315	3796974	28	240/533	41032407	46,47,48,49	645/320	4568446	118
079/319	9062679	88	240/316	3797065	30	240/533	2997164	46,47,48,49	645/320	4511397	118
095/328	504188728	64	240/317	3797064	30	240/535	42559051	50	645/321	4568447	118
120/320	8142630	76	240/318	3797997	32	240/535	42533556	50	645/321	4511398	118
120/321	8142629	76	240/319	3797996	32	530/324	504016309	26	682/320	4578739	114
120/326	500318338	78	240/320	8144469	34	530/325	504016308	26	682/321	4689464	114
120/327	500318293	78	240/321	8144468	34	540/320	504003993	12	682/321	4578742	114
125/320	504055136	66	240/326	8143145	36	540/321	504003992	12	682/328	4689574	116
125/321	504055137	66	240/327	8143148	36	540/323	98462307	14	682/328	4579422	116
125/324	504027532	68	240/502	41015727	39,41,42,43	540/323	98462187	14	682/329	4579244	116
125/325	504027533	68	240/504	41014982	39,41,42,43	540/515	2997670	22	684/316	4688660	106
130/ 66	61599878	98,99	240/505	41014981	42	540/515	41213696	22	684/317	-	106
130/ 66	4677098	98,99	240/506	41014998	39,41,42,43	540/517	41213755	16,17	684/320	4638890	108
130/ 67	61599879	98,99	240/507	41014997	42	540/518	41213753	16,17,18,19	684/320	4670578	108
130/ 67	4677095	98,99	240/508	41002935	44,45	540/519	41213754	18,19	684/321	4638891	108
130/320	4674901	100	240/509	41002934	44	540/520	41213750	16,17,18,19	684/321	4670579	108
130/321	4674902	100	240/512	41016244	44,45	540/521	41213751	16,17,18,19	684/324	4715854	110
130/324	61590607	102	240/513	42125681	44,45	540/522	41218984	20,21	684/324	4651282	110
130/325	61590608	102	240/516	41002176	38,39,43,45	540/523	41218983	20	684/325	4715856	110
150/321	8142634	74	240/517	41002177	38	540/524	41213720	20,21	684/325	4651283	110
175/320	4805836	96	240/518	41002409	40,41,43,45	540/525	41213721	20	684/326	4775458	112
175/321	4805839	96	240/518	41003233	40,41,43,45	540/526	41213727	5,9,17,19,24,25	684/327	4775461	112
190/320	42344427	94	240/519	41016379	40	540/527	41213725	24,25	691/328	4666272	104

# tabelle comparative cross reference

Codice Covind Covind Ref.	O.E.M. O.E.M.	Pagina Page	4599506 4599507 4638890 4638891 4651282 4651283 4666272 4670578 4670579 4674901 4674902 4677095 4677098 4688660 4689464 4689574 4692217 4692218 4692219 4692220 4715854 4715856 4750846 4750897 4775458 4775461 4805836 4805839 4816035 4816243 4816244 8142621 8142626 8142629 8142630 8142634 8143145 8143148 8144468 8144469 9051239	643/320 643/321 684/320 684/321 684/324 684/325 691/328 684/320 684/321 130/320 130/321 130/ 67 130/ 66 684/316 682/321 682/328 190/320 190/321 190/320 684/324 684/325 190/322 190/323 684/326 684/327 175/320 175/321 192/520 192/518 192/519 060/320 060/321 120/321 120/320 150/321 240/326 240/327 240/321 240/320 040/320	120 120 108 108 110 110 104 108 108 100 100 98,99 98,99 106 114 116 94 94 94 94 110 110 96 96 60,61 60,61 60,61 80 80 76 76 74 36 36 34 34 92,93	9051240 9062678 9062679 9069445 9069446 41002176 41002177 41002409 41002927 41002934 41002935 41003046 41003047 41003233 41003236 41014981 41014982 41014997 41014998 41015727 41016244 41016379 41032399 41032400 41032403 41032407 41210252 41210255 41213696 41213720 41213721 41213725 41213727 41213729 41213731 41213750 41213751 41213753 41213754 41213755 41218983	040/321 079/318 079/319 950/200 950/201 240/516 240/517 240/518 240/521 240/509 240/508 240/523 240/522 240/518 240/520 240/505 240/504 240/507 240/506 240/502 240/512 240/519 240/531 240/530 240/529 240/533 240/528 240/532 540/515 540/524 540/525 540/527 540/526 540/529 540/528 540/520 540/521 540/518 540/519 540/517 540/523	92,93 88 88 90,91 90,91 38,39,43,45 38 40,41,43,45 38,4 44 44,45 38,4 38,39,40,41,43,45 40,41,43,45 38,39,40,41,43,45 42 39,41,42,43 42 39,41,42,43 39,41,42,43 44,45 40 48,49 46,47 46,47,48,49 46,47,48,49 22 28 28 30 30 32 32 52 52 118 118 118 118 114 114 116 116 20	41218984 41271247 41298887 41298888 41298962 41298963 41298964 41298965 41298972 41298973 41298974 41298975 41298976 41299384 41299385 42124555 42124762 42125604 42125606 42125681 42341950 42342626 42342627 42344425 42344427 42348215 42348216 42533556 42559051 42559053 61590607 61590608 61599878 61599879 93906278 93906288 98427570 98439302 98462187 98462307 500318293	540/522 580/328 560/525 560/524 560/518 580/519 560/519 560/519 580/518 560/523 560/522 560/520 560/521 580/539 580/538 240/519 240/523 240/521 240/522 240/513 192/324 192/317 192/316 190/321 190/320 194/321 194/320 240/535 240/535 XF0/517 130/324 130/325 130/ 66 130/ 67 950/100 950/150 950/300 950/350 540/323 540/323 120/327	20,21 2 10 10,11 5,8,9 4 5,8,9 5,8,9 4 10 10,11 4,5,8,9 4,5,8,9 4,6,7,18 6,7,16 40 38,4 38,4 38,39,40,41,43,45 44,45 58,59 54 54 94 94 56 56 50 50 50,148,248,302 102 102 98,99 98,99 128 126 84 86 14 14 78
<b>IVECO</b>											
2997164	240/528	46,47,48,49	4692218	190/321	94	41014997	240/507	42	42125604	240/521	38,4
2997164	240/529	46,47,48,49	4692219	190/320	94	41014998	240/506	39,41,42,43	42125606	240/522	38,39,40,41,43,45
2997164	240/532	46,47,48,49	4692220	190/321	94	41015727	240/502	39,41,42,43	42125681	240/513	44,45
2997164	240/533	46,47,48,49	4715854	684/324	110	41016244	240/512	44,45	42341950	192/324	58,59
2997165	240/531	48,49	4715856	684/325	110	41016379	240/519	40	42342626	192/317	54
2997166	240/530	46,47	4750846	190/322	62,63	41032399	240/531	48,49	42342627	192/316	54
2997670	540/515	22	4750897	190/323	58,59,62,63	41032400	240/530	46,47	42344425	190/321	94
3796974	240/315	28	4775458	684/326	112	41032403	240/529	46,47,48,49	42344427	190/320	94
3796975	240/314	28	4775461	684/327	112	41032407	240/533	46,47,48,49	42348215	194/321	56
3797064	240/317	30	4805836	175/320	96	41210252	240/528	46,47,48,49	42348216	194/320	56
3797065	240/316	30	4805839	175/321	96	41210255	240/532	46,47,48,49	42533556	240/535	50
3797996	240/319	32	4816035	192/520	60,61	41213696	540/515	22	42559051	240/535	50
3797997	240/318	32	4816243	192/518	60,61	41213720	540/524	20,21	42559053	XF0/517	50,148,248,302
3798109	240/313	52	4816244	192/519	60,61	41213721	540/525	20	61590607	130/324	102
3798110	240/312	52	8142621	060/320	80	41213725	540/527	24,25	61590608	130/325	102
4511397	645/320	118	8142626	060/321	80	41213727	540/526	5,9,17,19,24,25	61599878	130/ 66	98,99
4511398	645/321	118	8142629	120/321	76	41213729	540/529	24,25	61599879	130/ 67	98,99
4568446	645/320	118	8142630	120/320	76	41213731	540/528	5,9,17,19,24,25	93906278	950/100	128
4568447	645/321	118	8142634	150/321	74	41213750	540/520	16,17,18,19	93906288	950/150	126
4578739	682/320	114	8143145	240/326	36	41213751	540/521	16,17,18,19	98427570	950/300	84
4578742	682/321	114	8143148	240/327	36	41213753	540/518	16,17,18,19	98439302	950/350	86
4579244	682/329	116	8144468	240/321	34	41213754	540/519	18,19	98462187	540/323	14
4579422	682/328	116	8144469	240/320	34	41213755	540/517	16,17	98462307	540/323	14
			9051239	040/320	92,93	41218983	540/523	20	500318293	120/327	78



# tabelle comparative cross reference

O.E.M. O.E.M.	Codice Covind Covind Ref.	Pagina Page	O.E.M. O.E.M.	Codice Covind Covind Ref.	Pagina Page	O.E.M. O.E.M.	Codice Covind Covind Ref.	Pagina Page	O.E.M. O.E.M.	Codice Covind Covind Ref.	Pagina Page
<b>IVECO</b>			LF0/321	1405003	158	XF5/527	1892247	138,139	1659258	CF0/320	154
500318338	120/326	78	LF0/321	1401810	158	XF5/528	1892246	138,139,140,141	1701039	LF0/325	156
500318341	060/324	82	LF0/324	1404997	156,157	XF5/529	1892245	138,139,140,141	1701040	LF0/324	156,157
500318345	060/325	82	LF0/324	1400636	156,157	XF5/532	-	136,137	1875549	XF5/517	130,131,132,133, 134,135,136,137
500339341	950/101	122	LF0/324	1701040	156,157	XF5/533	-	136,137	1875550	XF5/516	130,131,132,133, 134,135,136,137
500339342	950/102	122	LF0/325	1404998	156	XF5/536	-	140,141	1875551	XF5/520	130,131,132,133, 134,135,136,137
500379212	950/103	124	LF0/325	1400637	156	XF5/537	-	140,141	1875552	XF5/525	138,139,140,141
500379213	950/104	124	LF0/325	1701039	156	XF5/538	-	132,133	1875553	XF5/519	130,131
504003992	540/321	12	XF0/320	1997262	144	XF5/539	-	132,133	1875554	XF5/518	130,131
504003993	540/320	12	XF0/320	1659254	144	<b>DAF</b>			1892197	XF5/523	134,135
504016308	530/325	26	XF0/320	1369438	144	1328934	XF0/515	146,147	1892198	XF5/522	134,135
504016309	530/324	26	XF0/320	1389297	144	1328935	XF0/520	146,147	1892245	XF5/529	138,139,140,141
504027532	125/324	68	XF0/321	1997261	144	1340450	XF0/510	148	1892246	XF5/528	138,139,140,141
504027533	125/325	68	XF0/321	1659253	144	1369437	XF0/321	144	1892247	XF5/527	138,139
504027536	075/324	72	XF0/321	1369437	144	1369438	XF0/320	144	1892248	XF5/526	138,139
504027537	075/325	72	XF0/500	1389296	144	1371224	XF0/500	152	1927847	XF5/515	142
504055092	075/320	70	XF0/510	1371224	152	1371225	XF0/500	152	1997257	CF0/321	154
504055093	075/321	70	XF0/514	1371225	150	1371225	XF0/521	150	1997258	CF0/320	154
504055136	125/320	66	XF0/515	1629045	150,151,152,153	1371226	XF0/521	150	1997261	XF0/321	144
504055137	125/321	66	XF0/516	1649588	50,148,248,302	1388016	CF0/321	154	1997262	XF0/320	144
504080951	075/324	72	XF0/517	1629046	150,151,152,153	1388017	CF0/320	154	-	XF0/518	150,151,152,153
504080952	075/325	72	XF0/518	1629046	150,151,152,153	1389296	XF0/321	144	-	XF5/532	136,137
504080978	075/320	70	XF0/519	1328935	146,147	1389297	XF0/320	144	-	XF5/533	136,137
504080979	075/321	70	XF0/520	1371226	150	1400636	LF0/324	156,157	-	XF5/536	140,141
504188728	095/328	64	XF0/521	1371225	150	1400637	LF0/325	156	-	XF5/537	140,141
-	684/317	106	XF0/526	1629036	150,151	1401809	LF0/320	158,159	-	XF5/538	132,133
Codice Covind Covind Ref.	O.E.M. O.E.M.	Pagina Page	XF5/515	1927847	142	1401810	LF0/321	158	-	XF5/539	132,133
<b>DAF</b>			XF5/516	1875550	130,131,132,133, 134,135,136,137	1404997	LF0/324	156,157	<b>MAN</b>		
CF0/320	1997258	154	XF5/517	1875550	130,131,132,133, 134,135,136,137	1404998	LF0/325	156	M20/316	81612300066	204
CF0/320	1388017	154	XF5/518	1875551	130,131,132,133, 134,135,136,137	1405002	LF0/320	158,159	M20/316	81612300064	204
CF0/320	1659258	154	XF5/519	1875552	130,131,132,133, 134,135,136,137	1405003	LF0/321	158	M20/316	82612300006	204
CF0/321	1997257	154	XF5/520	1875553	130,131,132,133, 134,135,136,137	1610454	XF0/514	152,153	M20/317	81612300067	204
CF0/321	1388016	154	XF5/521	1875554	130,131,132,133, 134,135,136,137	1629036	XF0/526	150,151	M20/317	81612300069	204
CF0/321	1659257	154	XF5/522	1875555	130,131,132,133, 134,135,136,137	1629045	XF0/516	150,151,152,153	M20/317	81612300009	204
LF0/320	1405002	158,159	XF5/523	1892198	134,135	1629046	XF0/519	150,151,152,153	M20/317	81612300065	204
LF0/320	1401809	158,159	XF5/525	1892197	134,135	1649588	XF0/517	50,148,248,302	TGX/500	81664400193	192,193
			XF5/526	1892248	138,139	1659253	XF0/321	144			
						1659254	XF0/320	144			
						1659257	CF0/321	154			

# tabelle comparative cross reference

Codice Covind Covind Ref.	O.E.M. O.E.M.	Pagina Page	TGX/516	81664106574	181,182,183, 184,185,186, 187	TGX/519	81664106600	164,165,172, 173,180,181	TGX/526	81664206083	179,181,183, 185,187,188, 189
<b>MAN</b>			TGX/516	81664106592	160,161,162, 163,164,165, 166,167,168, 169,170,171, 172,173,174, 175,176,177, 178,179,180, 181,182,183, 184,185,186, 187	TGX/519	81664106637	164,165,172, 173,180,181	TGX/526	81664206084	161,163,165, 167,169,171, 173,175,177, 179,181,183, 185,187,188, 189
TGX/505	81664400189	192,193	TGX/516	81664106593	160,161,162, 163,164,165, 166,167,168, 169,170,171, 172,173,174, 175,176,177, 178,179,180, 181,182,183, 184,185,186, 187	TGX/520	81664106606	160,161,164, 165,166,167, 168,169,170, 171,180,181, 182,183,184, 185,186,187	TGX/527	81664206050	161,163,165, 167,169,171, 173,175,177, 179,181,183, 185,187,188, 189
TGX/512	81664106601	166,167,174, 175,182,183	TGX/517	81664106603	160,161,162, 163,164,165, 172,173	TGX/524	-	161,163,165, 167,169,171, 173,175,177, 179,181,183, 185,187,190	TGX/527	81664206051	161,163,165, 167,169,171, 173,175,177, 179,181,183, 185,187,188, 189
TGX/512	81664106599	166,167,174, 175,182,183	TGX/517	81664106625	160,161,162, 163,164,165, 172,173	TGX/525	81664106612	180,181,182, 183,184,185, 186,187	TGX/527	81664206052	161,163,165, 167,169,171, 173,175,177, 179,181,183, 185,187,188, 189
TGX/512	81664106638	166,167,174, 175,182,183	TGX/517	81664106637	160,161,162, 163,164,165, 172,173	TGX/526	81664206080	161,163,165, 167,169,171, 173,175,177, 179,181,183, 185,187,188, 189	TGX/527	81664206053	161,163,165, 167,169,171, 173,175,177, 179,181,183, 185,187,188, 189
TGX/513	81664106608	180,181,182, 183,184,185, 186,187	TGX/518	81664106604	160,161,162, 163,166,167, 174,175	TGX/526	81664206082	161,163,165, 167,169,171, 173,175,177, 179,181,183, 185,187,188, 189	TGX/527	81664206054	161,163,165, 167,169,171, 173,175,177, 179,181,183, 185,187,188, 189
TGX/516	81664106599	160,161,162, 163,164,165, 166,167,168, 169,170,171, 172,173,174, 175,176,177, 178,179,180, 181,182,183, 184,185,186, 187	TGX/518	81664106625	160,161,162, 163,166,167, 174,175	TGX/526	81664206083	161,163,165, 167,169,171, 173,175,177, 179,181,183, 185,187,188, 189	TGX/528	81664106630	170,171,178, 179,186,187
TGX/516	81664106573	160,161,162, 163,164,165, 166,167,168, 169,170,171, 172,173,174, 175,176,177, 178,179,180, 181,182,183, 184,185,186, 187	TGX/518	81664106638	160,161,162, 163,166,167, 174,175						
TGX/516	81664106574	160,161,162, 163,164,165, 166,167,168, 169,170,171, 172,173,174, 175,176,177, 178,179,180,									

# tabelle comparative cross reference

Codice Covind Covind Ref.	O.E.M. O.E.M.	Pagina Page	TGX/536	81664106655	177,178,179	81612100684	XXL/324	198	81664106592	TGX/516	184,185,186,187	
			TGX/537	81664106633	168,169,176, 177,184,185	81612300009	M20/317	204	81664106593	TGX/516	160,161,162,163, 164,165,166,167, 168,169,170,171,	
<b>MAN</b>			TGX/537	81664106599	168,169,176, 177,184,185	81612300064	M20/316	204			172,173,174,175, 176,177,178,179, 180,181,182,183, 184,185,186,187	
TGX/528	81664106626	170,171,178, 179,186,187	TGX/537	81664106599	177,184,185	81612300065	M20/317	204	81664106593	TGX/516	172,173,174,175, 176,177,178,179, 180,181,182,183, 184,185,186,187	
TGX/528	81664106655	170,171,178, 179,186,187	TGX/537	81664106655	168,169,176, 177,184,185	81612300066	M20/316	204				
TGX/529	81664106629	170,171,178, 179,186,187	TGX/540	81664106609	180,181	81612300067	M20/317	204	81664106599	TGX/512	166,167,174, 175,182,183	
TGX/529	81664106631	170,171,178, 179,186,187	TGX/540	81664106608	180,181	81664100169	XXL/517	200,201				
TGX/529	81664106655	170,171,178, 179,186,187	TGX/540	81664106634	180,181	81664100172	XXL/518	200,201	81664106599	TGX/516	160,161,162,163, 164,165,166,167, 168,169,170,171, 172,173,174,175, 176,177,178,179, 180,181,182,183, 184,185,186,187	
TGX/530	81664106607	162,163,172, 173,174,175, 176,177,178, 179	TGX/543	81664106625	160,161,162, 163,195	81664100173	XXL/519	200,201	81664106599	TGX/512	166,167,174, 175,182,183	
			TGX/555	81664100484	194	81664100181	XXL/321	196	81664106599	TGX/516	160,161,162,163, 164,165,166,167, 168,169,170,171, 172,173,174,175, 176,177,178,179, 180,181,182,183, 184,185,186,187	
			XXL/505	81664400192	192,193	81664100181	XXL/321	196				
			XXL/320	81612100676	196	81664100361	XXL/325	198	81664106599	TGX/519	164,165,172, 173,180,181	
			XXL/321	81612100675	196	81664100363	XXL/324	198				
			XXL/321	81664100181	196	81664100484	TGX/555	194	81664106599	TGX/537	168,169,176, 177,184,185	
			XXL/321	81664100361	196	81664106086	XXL/520	200,201	81664106599	TGX/519	164,165,172, 173,180,181	
TGX/532	81664106631	164,165,166, 167,168,169, 170,171,172, 173,174,175, 176,177,178, 179	XXL/324	81612100684	198	81664106088	XXL/520	200,201	81664106600	TGX/519	164,165,172, 173,180,181	
			XXL/324	81664100363	198	81664106573	TGX/516	160,161,162,163, 164,165,166,167, 168,169,170,171, 172,173,174,175, 176,177,178,179, 180,181,182,183, 184,185,186,187	81664106601	TGX/512	166,167,174, 175,182,183	
			XXL/324	82664100162	198				81664106603	TGX/517	160,161,162,163, 164,165,172,173	
			XXL/325	81612100683	198	81664106574	TGX/516	160,161,162,163, 164,165,166,167, 168,169,170,171, 172,173,174,175, 176,177,178,179, 180,181,182,183, 184,185,186,187	81664106604	TGX/518	160,161,162,163, 166,167,174,175	
			XXL/325	81664100362	198				81664106606	TGX/520	160,161,164,165, 166,167,168,169, 170,171,180,181, 182,183,184,185, 186,187	
			XXL/325	82664100155	198				81664106607	TGX/530	162,163,172,173, 174,175,176,177, 178,179	
TGX/533	81664106626	164,165,166, 167,168,169, 170,171,172, 173,174,175, 176,177,178, 179	XXL/515	81664100226	202	81664106592	TGX/516	160,161,162,163, 164,165,166,167, 168,169,170,171, 172,173,174,175, 176,177,178,179, 180,181,182,183, 184,185,186,187	81664106608	TGX/513	180,181,182,183, 184,185,186,187	
			XXL/516	81664100294	200,201				81664106608	TGX/540	180,181	
			XXL/516	81664100194	200,201				81664106609	TGX/540	180,181	
			XXL/517	81664100293	200,201							
			XXL/517	81664100169	200,201							
			XXL/517	81664100299	200,201							
TGX/536	81664106632	160,161,162, 163,168,169, 170,171,176, 177,178,179	XXL/518	81664100172	200,201							
			XXL/519	81664100173	200,201							
			XXL/520	81664106086	200,201							
			XXL/520	81664106088	200,201							
TGX/536	81664106625	160,161,162, 163,168,169, 170,171,176, 177,178,179	O.E.M. O.E.M.	Codice Covind Covind Ref.	Pagina Page							
			<b>MAN</b>									
			81612100675	XXL/321	196							
TGX/536	81664106655	160,161,162, 163,168,169, 170,171,176,	81612100676	XXL/320	196							
			81612100683	XXL/325	198							



# tabelle comparative cross reference

O.E.M. O.E.M.	Codice Covind Covind Ref.	Pagina Page	81664106637	TGX/519	173,180,181	81664206081	TGX/526	185,187,188,189	641/520	6625200019	246,247
			81664106638	TGX/512	166,167,174, 175,182,183	81664206082	TGX/526	161,163,165,167, 169,171,173,175, 177,179,181,183,	641/525	9445220167	248,302,303
<b>MAN</b>			81664106638	TGX/518	160,161,162,163,				649/320	6498810301	244
81664106612	TGX/525	180,181,182,183, 184,185,186,187	81664106638	TGX/518	166,167,174,175	81664206082	TGX/526	185,187,188,189	649/321	6498810201	244
81664106625	TGX/517	160,161,162,163, 164,165,172,173	81664106655	TGX/528	170,171,178, 179,186,187	81664206083	TGX/526	161,163,165,167, 169,171,173,175, 177,179,181,183,	941/515	9415220067	242
81664106625	TGX/518	160,161,162,163, 166,167,174,175	81664106655	TGX/529	170,171,178, 179,186,187				941/518	9415200219	240,241
81664106625	TGX/536	160,161,162,163, 168,169,170,171, 176,177,178,179	81664106655	TGX/536	160,161,162,163, 168,169,170,171, 176,177,178,179	81664206084	TGX/526	161,163,165,167, 169,171,173,175, 177,179,181,183, 185,187,188,189	941/519	9415200119	240,241
81664106625	TGX/543	160,161,162, 163,195	81664106655	TGX/537	168,169,176, 177,184,185				941/520	9415220004	240,241
81664106626	TGX/528	170,171,178,179, 186,187	81664206050	TGX/527	161,163,165,167, 169,171,173,175, 177,179,181,183, 185,187,188,189	81664400189	TGX/505	192,193	941/522	9415201620	240,241
81664106626	TGX/533	164,165,166,167, 168,169,170,171, 172,173,174,175, 176,177,178,179	81664206051	TGX/527	161,163,165,167, 169,171,173,175, 177,179,181,183, 185,187,188,189	81664400192	XXL/505	192,193	941/522	9415200220	240,241
81664106629	TGX/529	170,171,178, 179,186,187	81664206052	TGX/527	161,163,165,167, 169,171,173,175, 177,179,181,183, 185,187,188,189	81664400193	TGX/500	192,193	941/523	9415200320	240,241
81664106630	TGX/528	170,171,178, 179,186,187	81664206053	TGX/527	161,163,165,167, 169,171,173,175, 177,179,181,183, 185,187,188,189	82612300006	M20/316	204	941/523	9415200120	240,241
81664106631	TGX/529	170,171,178, 179,186,187				82664100155	XXL/325	198	943/510	9305208533	238,239
81664106631	TGX/532	164,165,166,167, 168,169,170,171, 172,173,174,175, 176,177,178,179	81664206054	TGX/527	161,163,165,167, 169,171,173,175, 177,179,181,183, 185,187,188,189	82664100162	XXL/324	198	943/512	9305203133	238,239
81664106632	TGX/536	160,161,162,163, 168,169,170,171, 176,177,178,179				-	TGX/524	161,163,165,167, 169,171,173,175, 177,179,181,183, 185,187,190	943/515	9415220167	238,239
81664106633	TGX/537	168,169,176, 177,184,185							943/516	9305200119	212,213,214, 215,216,217, 218,219,220, 221,222,223, 224,225,226, 227,228,229, 230,231,233, 234,235,236
81664106634	TGX/540	180,181									
81664106637	TGX/517	160,161,162, 163,164,165,172, 173	81664206081	TGX/526	161,163,165,167, 169,171,173,175, 177,179,181,183,						
81664106637	TGX/519	164,165,172,									

Codice Covind Covind Ref.	O.E.M. O.E.M.	Pagina Page
<b>MERCEDES-BENZ</b>		
322/ 66	3226200350	258
322/ 67	3226200250	258
347/ 66	3476205550	256
347/ 66	3476205350	256
347/ 67	3476205450	256
347/ 67	3476205250	256
347/320	3228800124	254
347/321	3228800024	254
381/314	3818813001	250
381/315	3818812901	250
381/320	3818800906	252
381/321	3818800806	252
641/510	6625200219	246,247
641/515	6625200319	246,247

# tabelle comparative cross reference

Codice Covind Covind Ref.	O.E.M. O.E.M.	Pagina Page									
<b>MERCEDES-BENZ</b>			3818813001	381/314	250	9415201620	941/522	240,241	PRM/525	7420936768	288,289,292, 293,294,295
943/520	9305200207	223,233,234, 235	6498810201	649/321	244	9415220004	941/520	240,241	2FH/505	7420583488	288,289,290, 291,356,357
943/525	9305200007	216,217,218, 219,228,229, 230,231	6498810301	649/320	244	9415220067	941/515	242	2FH/505	7420748790	288,289,290, 291,356,357
943/530	9305200419	224,225,226, 227,228,229, 230,231,233, 234,235	6625200019	641/520	246,247	9415220167	943/515	238,239	2FH/505	7420771757	288,289,290, 291,356,357
943/535	9305200107	212,213,214, 215,224,225, 226,227	6625200219	641/510	246,247	9445220167	641/525	248,302,303	2FH/520	7420936772	288,289,290, 291,292,293, 294,295,356, 357
960/515	9605200067	210	6625200319	641/515	246,247	9605200007	960/520	206,207	2FH/513	7420583434	296,297,364
960/516	9605200119	206,207, 208,209	9305200007	943/525	216,217,218,219, 228,229,230,231	9605200019	960/517	206,207,208,209	2FH/514	7420583440	296,297,364
960/517	9605200019	206,207, 208,209	9305200019	943/517	212,213,214,215, 216,217,218,219, 220,221,222,223, 224,225,226,227, 228,229,230,231, 233,234,235,236	9605200067	960/515	210	2FH/515	-	290,291, 356,357
960/518	9605200520	206,207, 208,209	9305200020	943/519	214,215,218,219, 222,223,226,227, 230,231,234,235, 236	9605200107	960/525	208,209	2FH/518	-	290,291, 356,357
960/520	9605200007	206,207	9305200107	943/535	212,213,214,215, 224,225,226,227	385/505	5001856184	302,303	3FH/510	7421094457	286,287, 354,355
960/525	9605200107	208,209	9305200119	943/516	212,213,214,215, 216,217,218,219, 220,221,222,223, 224,225,226,227, 228,229,230,231, 233,234,235,236	385/510	5001842757	302,303	3FH/515	7421094391	262,263,264, 265,268,269, 270,271,274, 275,276,277, 280,281,282, 283,330,331, 332,333,336, 337,338,339, 342,343,344, 345,348,349, 350,351,354
XF0/517	-	50,148,248,302	9305200120	943/518	212,213,216,217, 220,221,224,225, 228,229,233,236	385/515	5010228158	298,299			
O.E.M. O.E.M.	Codice Covind Covind Ref.	Pagina Page	9305200207	943/520	220,221,222,223, 233,234,235	385/520	5010228253	298,299			
<b>MERCEDES-BENZ</b>			9305200419	943/530	224,225,226,227, 228,229,230,231, 233,234,235	385/525	5010314953	300,301			
3226200250	322/ 67	258	9305203133	943/512	238,239	385/525	5010542948	300,301			
3226200350	322/ 66	258	9305208533	943/510	238,239	385/527	5001856195	300,301			
3228800024	347/321	254	9415200119	941/519	240,241	385/527	5001856193	300,301			
3228800124	347/320	254	9415200120	941/523	240,241	385/527	5010314969	300,301			
3476205250	347/ 67	256	9415200219	941/518	240,241	385/530	5010314951	300,301			
3476205350	347/ 66	256	9415200220	941/522	240,241	385/540	5010314952	300,301			
3476205450	347/ 67	256	9415200320	941/523	240,241	385/550	5010132441	298,299			
3476205550	347/ 66	256				PRM/320	5010578754	260			
3818800806	381/321	252				PRM/510	7420721840	296,297			
3818800906	381/320	252				PRM/515	7420498623	296,297, 364,365			
3818812901	381/315	250				PRM/515	7420514389	296,297, 364,365			
						PRM/516	7420583442	292,293			
						PRM/516	7421025925	292,293			
						PRM/517	7420583447	292,293			
						PRM/517	7421025926	292,293			
						PRM/518	-	294,295			
						PRM/519	-	294,295			

# tabelle comparative cross reference

Codice Covind Covind Ref.	O.E.M. O.E.M.	Pagina Page										
<b>RENAULT</b>			3FH/523	7422087703	284,285,334, 335,340,341, 346,347,352, 353		XFO/517	5001833310	50,148, 248,302	7421094387	3FH/530	274,275,276,277, 278,279,342,343,
3FH/515	7422087684	350,351,354					O.E.M.	Codice Covind	Pagina	7421094387	3FH/530	344,345,346,347
3FH/520	7421094388	280,281,282, 283,284,285, 348,349,350, 351,352,353	3FH/524	7421094447	286,287, 354,355		O.E.M.	Covind Ref.	Pagina	7421094388	3FH/520	280,281,282,283, 284,285,348,349, 350,351,352,353
			3FH/525	7421094394	262,263,266, 267,268,269, 272,273,274, 275,278,279, 280,281,284, 285,330,331, 334,335,336, 337,340,341, 342,343,346, 347,348,349, 352,353		<b>RENAULT</b>			7421094389	3FH/535	268,269,270,271, 272,273,336,337, 338,339,340,341
3FH/522	7421094392	266,267,272, 273,278,279, 284,285,334, 335,340,341, 346,347,352, 353					5001833310	XFO/517	50,148,248,302	7421094390	3FH/540	262,263,264,265, 266,267,330,331, 332,333,334,335
3FH/522	7421305345	266,267,272, 273,278,279, 284,285,334, 335,340,341, 346,347,352, 353	3FH/525	7421094400	262,263,266, 267,268,269, 272,273,274, 275,278,279, 280,281,284, 285,330,331, 334,335,336, 337,340,341, 342,343,346, 347,348,349, 352,353		5001842757	385/510	302,303	7421094391	3FH/515	262,263,264,265, 268,269,270,271, 274,275,276,277, 280,281,282,283, 330,331,332,333, 336,337,338,339, 342,343,344,345, 348,349,350,351, 354
3FH/522	7422087701	266,267,272, 273,278,279, 284,285,334, 335,340,341, 346,347,352, 353					5001856184	385/505	302,303	7421094392	3FH/522	266,267,272,273, 278,279,284,285, 334,335,340,341, 346,347,352,353
3FH/523	7421094393	266,267,272, 273,278,279, 284,285,334, 335,340,341, 346,347,352, 353	3FH/530	7421094387	274,275,276, 277,278,279, 342,343,344, 345,346,347		5001856193	385/527	300,301	7421094393	3FH/523	266,267,272,273, 278,279,284,285, 334,335,340,341, 346,347,352,353
3FH/523	7421305346	266,267,272, 273,278,279, 284,285,334, 335,340,341, 346,347,352, 353	3FH/535	7421094389	268,269,270, 271,272,273, 336,337,338, 339,340,341		5001856195	385/527	300,301	7421094394	3FH/525	262,263,266,267, 268,269,272,273, 274,275,278,279, 280,281,284,285, 330,331,334,335, 336,337,340,341, 342,343,346,347, 348,349,352,353
3FH/523	7422087703	266,267,272, 273,278,279,	3FH/540	7421094390	262,263,264, 265,266,267, 330,331,332, 333,334,335		5010132441	385/550	298,299	7421094400	3FH/525	262,263,266,267, 268,269,272,273, 274,275,278,279, 280,281,284,285, 280,281,282,283, 292,293,294,295, 356,357
			641/525	-	248,302,303		5010228089	385/550	298,299			
							5010228158	385/515	298,299			
							5010228253	385/520	298,299			
							5010314951	385/530	300,301			
							5010314952	385/540	300,301			
							5010314953	385/525	300,301			
							5010314969	385/527	300,301			
							5010542948	385/525	300,301			
							5010578754	PRM/320	260			
							7420498623	PRM/515	296,297,364,365			
							7420514389	PRM/515	296,297,364,365			
							7420583434	2FH/513	296,297,364			
							7420583440	2FH/514	296,297,364			
							7420583442	PRM/516	292,293			
							7420583447	PRM/517	292,293			
							7420583488	2FH/505	288,289,290, 291,356,357			
							7420721840	PRM/510	296,297			
							7420748790	2FH/505	288,289,290, 291,356,357			
							7420771757	2FH/505	288,289,290, 291,356,357			
							7420936768	PRM/525	288,289,292, 293,294,295			
							7420936772	2FH/520	288,289,290,291, 292,293,294,295, 356,357			
							7421025925	PRM/516	292,293			
							7421025926	PRM/517	292,293			





# tabelle comparative cross reference

Codice Covind Covind Ref.	O.E.M. O.E.M.	Pagina Page	3FH/525 21094394	21094394	352,353	3FH/524 21094447	21094447	286,287,354,355	3FH/540 21094386	21094386	330,331,332, 333,334,335
			3FH/520	21094388	280,281,282, 283,284,285, 348,349,350, 351,352,353	3FH/525	21094394	262,263,266, 267,268,269, 272,273,274, 275,278,279, 280,281,284, 285,330,331, 334,335,336, 337,340,341, 342,343,346, 347,348,349, 352,353	4FH/324 84160421	84160421	326
			3FH/522	21094392	266,267,272, 273,278,279, 284,285,334, 335,340,341, 346,347,352, 353				4FH/324 82868625	82868625	326
			3FH/522	21305345	266,267,272, 273,278,279, 284,285,334, 335,340,341, 346,347,352, 353	3FH/525	21094400	262,263,266, 267,268,269, 272,273,274, 275,278,279, 280,281,284, 285,330,331, 334,335,336, 337,340,341, 342,343,346, 347,348,349, 352,353	4FH/324 84106936	84106936	326
			3FH/522	22087701	266,267,272, 273,278,279, 284,285,334, 335,340,341, 346,347,352, 353				PRM/515 20498623	20498623	296,297,364,365
			3FH/515	22087684	262,263,264, 265,268,269, 270,271,274, 275,276,277, 280,281,282, 283,330,331, 332,333,336, 337,338,339, 342,343,344, 345,348,349, 350,351,354				O.E.M. O.E.M.	Codice Covind Covind Ref.	Pagina Page
			3FH/525	21094394	262,263,266, 267,268,269, 272,273,274, 275,278,279, 280,281,284, 285,330,331, 334,335,336, 337,340,341, 342,343,346, 347,348,349, 350,351,354				<b>VOLVO</b>		
			3FH/523	21094393	266,267,272, 273,278,279, 284,285,334, 335,340,341, 346,347,352, 353	3FH/530	21094383	274,275,276, 277,278,279, 342,343,344, 345,346,347	1077451 1079965	0FH/520 2FH/515	360 290,291,356,357
			3FH/523	21305346	266,267,272, 273,278,279, 284,285,334, 335,340,341, 346,347,352, 353	3FH/530	21094387	274,275,276, 277,278,279, 342,343,344, 345,346,347	1079981 1599297	2FH/510 0FH/510	364,365 370
			3FH/523	22087703	266,267,272, 273,278,279, 284,285,334, 335,340,341, 346,347,352, 353	3FH/535	21094389	268,269,270, 271,272,273, 336,337,338, 339,340,341	3171391 3177850	2FH/515 0FH/518	290,291,356,357 362
			3FH/540	21094390	262,263,264, 265,266,267, 330,331,332, 333,334,335	3FH/540	21094386	262,263,264, 265,266,267, 330,331,332, 333,334,335	3197851 3987252	0FH/521 2FH/517	358 366
			3FH/540	21094386	262,263,264, 265,266,267, 330,331,332, 333,334,335	3FH/540	21094386	262,263,264, 265,266,267, 330,331,332, 333,334,335	3987253 8154385	2FH/514 0FH/520	296,297,364 360
									8155808 8156551	0FH/515 0FH/518	368,369 368,369
									8156552 8156554	0FH/518 0FH/519	368,369 368,369
									8156556 8190106	0FH/510 0FH/515	370 368,369
									20392544	2FH/505	288,289,290, 291,356,357
									20392599	2FH/518	290,291,356,357
									20466894	0FH/522	362
									20466895	0FH/521	358
									20498620	2FH/513	296,297,364
									20498623	PRM/515	296,297,364,365
									20583434	2FH/513	296,297,364
									20583440	2FH/514	296,297,364
									20722652	2FH/515	290,291,356,357
									20722654	2FH/520	288,289,290, 291,292,293, 294,295,356, 357
									20936759	2FH/515	290,291,356,357

# tabelle comparative cross reference

O.E.M. O.E.M.	Codice Covind Covind Ref.	Pagina Page									
			21094391	3FH/515	345,348,349, 350,351,354	21094400	3FH/525	285,330,331, 334,335,336, 337,340,341, 342,343,346, 347,348,349, 352,353	84007259 84106936 84160421	3FH/323 4FH/324 4FH/324	328 326 326
<b>VOLVO</b>			21094392	3FH/522	266,267,272, 273,278,279, 284,285,334, 335,340,341, 346,347,352, 353	21094447	3FH/524	286,287,354,355	<b>Codice Covind</b> <b>Covind Ref.</b>	<b>O.E.M.</b> <b>O.E.M.</b>	<b>Pagina</b> <b>Page</b>
20936769	2FH/520	288,289,290, 291,292,293, 294,295,356, 357				21094457	3FH/510	286,287,354,355	<b>PAT</b>		
21094383	3FH/530	274,275,276, 277,278,279, 342,343,344, 345,346,347	21094393	3FH/523	266,267,272, 273,278,279, 284,285,334, 335,340,341, 346,347,352, 353	21305345	3FH/522	266,267,272, 273,278,279, 284,285,334, 335,340,341, 346,347,352, 353	PAT/100	-	372
21094386	3FH/540	262,263,264, 265,266,267, 330,331,332, 333,334,335							<b>Codice Covind</b> <b>Covind Ref.</b>	<b>O.E.M.</b> <b>O.E.M.</b>	<b>Pagina</b> <b>Page</b>
21094387	3FH/530	274,275,276, 277,278,279, 342,343,344, 345,346,347	21094394	3FH/525	262,263,266, 267,268,269, 272,273,274, 275,278,279, 280,281,284, 285,330,331, 334,335,336, 337,340,341, 342,343,346, 347,348,349, 352,353	21305346	3FH/523	266,267,272, 273,278,279, 284,285,334, 335,340,341, 346,347,352, 353	<b>PFG</b>		
21094388	3FH/520	280,281,282, 283,284,285, 348,349,350, 351,352,353				22087684	3FH/515	262,263,264, 265,268,269, 270,271,274, 275,276,277, 280,281,282, 283,330,331, 332,333,336, 337,338,339, 342,343,344, 345,348,349, 350,351,354	PFG/ 01	-	375
21094389	3FH/535	268,269,270, 271,272,273, 336,337,338, 339,340,341	21094394	3FH/525	262,263,266, 267,268,269, 272,273,274, 275,278,279, 280,281,284, 285,330,331, 334,335,336, 337,340,341, 342,343,346, 347,348,349, 352,353				PFG/ 06	-	375
21094390	3FH/540	262,263,264, 265,266,267, 330,331,332, 333,334,335				22087701	3FH/522	266,267,272,273, 278,279,284,285, 334,335,340,341, 346,347,352,353	PFG/ 10	-	374,375
21094391	3FH/515	262,263,264, 265,268,269, 270,271,274, 275,276,277, 280,281,282, 283,330,331, 332,333,336, 337,338,339, 342,343,344,				22087703	3FH/523	266,267,272,273, 278,279,284,285, 334,335,340,341, 346,347,352,353	PFG/ 14	-	374,375
			21094400	3FH/525	262,263,266, 267,268,269, 272,273,274, 275,278,279, 280,281,284, 285,330,331, 334,335,336, 337,340,341, 342,343,346, 347,348,349, 352,353				PFG/ 18	-	374,375
						82637695	3FH/323	328	PFG/ 21	-	375
						82868625	4FH/324	326	PFG/ 26	-	375
									PFG/ 28	-	375
									PFG/ 30	-	375
									PFG/ 60	-	377
									PFG/ 70	-	377
									PFG/ 90	-	379
									PFG/ 91	-	379
									PFG/ 92	-	379
									<b>Codice Covind</b> <b>Covind Ref.</b>	<b>O.E.M.</b> <b>O.E.M.</b>	<b>Pagina</b> <b>Page</b>
									<b>PRV</b>		
									PRV/ 42		412
									PRV/ 45	-	414,415
									PRV/ 50	-	414,415
									PRV/ 55	-	416,417
									PRV/ 60	-	416,417
									PRV/ 65	-	416,417
									PRV/140	-	418
									PRV/142	-	410
									PRV/150	-	420
									PRV/160	-	422

# tabelle comparative cross reference

Codice Covind Covind Ref.	O.E.M. O.E.M.	Pagina Page
<b>TPL</b>		
TPL/270	-	380,381
TPL/400	-	380,381
TPL/425	-	380,381
TPL/430	-	380,381
TPL/500	-	380,381
TPL/550	-	380,381
TPL/600	-	380,381
TPL/640	-	380,381
TPL/650	-	380,381
TPL/700	-	382,383
TPL/750	-	382,383
TPL/800	-	382,383
TPL/850	-	382,383
TPL/900	-	382,383
TPL/950	-	382,383
TPL/960	-	384,385
TPL/970	-	384,385
TPL/980	-	384,385

Codice Covind Covind Ref.	O.E.M. O.E.M.	Pagina Page
<b>TPS</b>		
TPS/100	-	398,399
TPS/110	-	400,401
TPS/120	-	402,403
TPS/130	-	404,405
TPS/140	-	404,405
TPS/200	-	406,407
TPS/210	-	408,409
TPS/220	-	408,409
TPS/230	-	408,409
TPS/300	-	386,387
TPS/400	-	386,387
TPS/410	-	388,389
TPS/450	-	388,389
TPS/455	-	386,387
TPS/500	-	388,389

TPS/510	-	390,391
TPS/550	-	390,391
TPS/600	-	390,391
TPS/610	-	392,393
TPS/650	-	392,393
TPS/670	-	392,393
TPS/700	-	394,395
TPS/750	-	394,395
TPS/850	-	396,397
TPS/900	-	392,393
TPS/950	-	392,393

## BARRE PARAINCASTRO

Codice Covind Covind Ref.	O.E.M. O.E.M.	Pagina Page
------------------------------	------------------	----------------

## IVECO

060/510	99441740	425
060/510	98443702	425
060/511	99441739	425
060/511	98435594	425
150/165	150038165	440,441
150/165	1901930	440,441
150/165	93905299	440,441
150/180	8585526	440,441
150/180	8570503	440,441
150/185	8585526	440,441
150/185	8582046	440,441
C39/410	500326871	437,456,457
C39/930	500326870	436,437
C39/930	500332454	436,437

O.E.M. O.E.M.	Codice Covind Covind Ref.	Pagina Page
------------------	------------------------------	----------------

## IVECO

1901930	150/165	440,441
8570503	150/180	440,441
8582046	150/185	440,441
8585526	150/180	440,441
8585526	150/185	440,441

93905299	150/165	440,441
98435594	060/511	425
98443702	060/510	425
99441739	060/511	425
99441740	060/510	425
150038165	150/165	440,441
500326870	C39/930	436,437
500326871	C39/410	437,456,457
500332454	C39/930	436,437

Codice Covind Covind Ref.	O.E.M. O.E.M.	Pagina Page
------------------------------	------------------	----------------

## PRP

PRP/200	4766630	440,441
PRP/205	-	440,441
PRP/210	42072739	458,459
PRP/210	4742382	458,459
PRP/211	42072740	458,459
PRP/211	4742383	458,459
PRP/214	500315032	428,429
PRP/215	93806578	460,461
PRP/215	93806579	460,461
PRP/225	8582966	462,463
PRP/225	8582967	462,463
PRP/235	8581152	464,465
PRP/235	8581153	464,465
PRP/250	93807247	426,427
PRP/300	93807247	426,427
PRP/350	8585526	427
PRP/350	4850479	427
PRP/400	-	426,427
PRP/410	8585455	427,431,435, 439,446,447

PRP/415	500314540	429,448,449
PRP/415	500351290	429,448,449
PRP/425	500339703	443,450,451
PRP/440	42090767	452,453
PRP/440	42071353	452,453
PRP/470	-	433,445,454,455
PRP/500	-	426,427
PRP/510	93807247	430,431

PRP/520	93807247	430,431
PRP/530	8585526	430,431
PRP/540	-	430,431
PRP/550	-	430,431
PRP/555	-	442,443
PRP/565	-	432,433
PRP/575	-	444,445
PRP/610	-	466,467
PRP/630	98419460	468,469
PRP/631	98419463	468,469
PRP/635	8164308	470,471
PRP/636	8164309	470,471
PRP/637	8164897	472,473
PRP/638	8164898	472,473
PRP/700	-	434,435
PRP/920	93807247	438,439

O.E.M. O.E.M.	Codice Covind Covind Ref.	Pagina Page
------------------	------------------------------	----------------

## PRP

4742382	PRP/210	458,459
4742383	PRP/211	458,459
4766630	PRP/200	440,441
4850479	PRP/350	427
8164308	PRP/635	470,471
8164309	PRP/636	470,471
8164897	PRP/637	472,473
8164898	PRP/638	472,473
8581152	PRP/235	464,465
8581153	PRP/235	464,465
8582966	PRP/225	462,463
8582967	PRP/225	462,463
8585455	PRP/410	427,431,435, 439,446,447
8585526	PRP/350	427
8585526	PRP/530	430,431
42071353	PRP/440	452,453
42072739	PRP/210	458,459
42072740	PRP/211	458,459
42090767	PRP/440	452,453
93806578	PRP/215	460,461





Si consiglia di consultare sempre il catalogo on-line per gli ultimi aggiornamenti.

Please visit the catalogue on-line for the latest updates.

il est conseillé de toujours consulter le catalogue en ligne pour les dernières mises à jour.

Wir empfehlen Ihnen immer unsere on line Kataloge nachzuschlagen, um die letzten Aktualisierungen zu kennen

Les recomendamos consulten siempre el catálogo en línea para las últimas actualizaciones.

**<http://catalogo.covind.it>**



Recomenda-se a consulta do catálogo eletrónico para informação das novas atualizações.

Zaleca się odwiedzać zawsze katalog on-line zawierający najnowsze aktualizacje

E consiliabila intotdeauna, consultarea catalogului on-line pentru cunoasterea ultimilor actualizari.

Пожалуйста, обратите внимание на последние обновления каталогов on-line

للأطلاع على آخر التحيينات،  
أرجاء الرجور دائما الي كاتالوجاتنا على الخط.

**[www.covind.it](http://www.covind.it)**

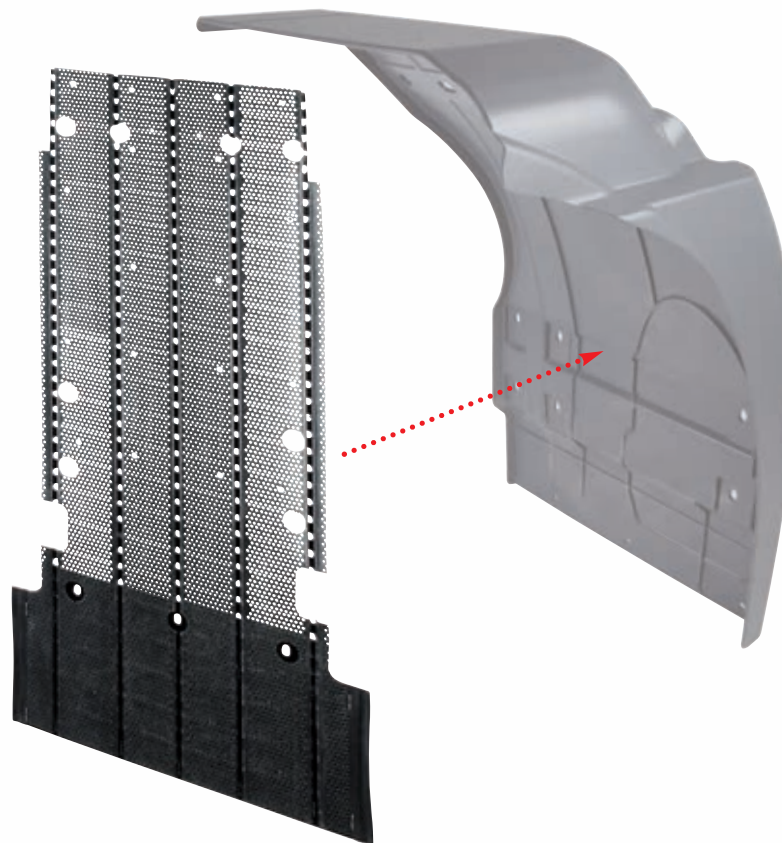


**580/328**

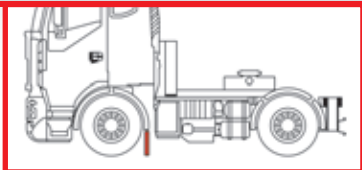
O.E.: 41271247  
destro|sinistro  
peso kg.: 1,885  
colore: nero

**580/328**

O.E.: 41271247  
RH|LH  
weight kg.: 1,885  
color: black



# paraspruzzi anti-spray



Adattabile a: **Iveco**  
Suitable to: **Iveco**

**AS Stralis 2013 (HI-WAY)**

adattabile a | adaptable to:

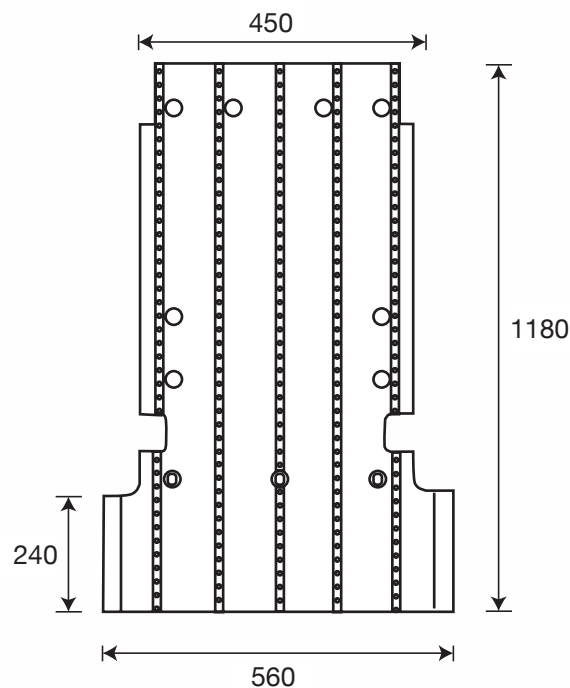
**AD-AT Stralis 2013 (HI-ROAD)**

**AD-AT - AS Stralis 2007**

**AD-AT - AS Stralis**

• **Materiale:** PE+PVAC

• **Material:** PE+PVAC



• **560/520**  
• O.E.: 41298975  
• destro|sinistro  
• peso kg.: 2,865  
• colore: nero  
• CIRCOLARE  
• CON CINGHIETTI

**560/520**  
O.E.: 41298975  
RH|LH  
weight kg.: 2,865  
color: black  
CIRCULAR  
WITH STRETCHERS



**580/519**  
O.E.: 41298963  
destro|sinistro  
peso kg.: 5,885  
colore: nero  
CON STAFFE  
580/539  
CON ANTI-SPRAY

**580/519**  
O.E.: 41298963  
RH|LH  
weight kg.: 5,885  
color: black  
WITH BRACKETS  
580/539  
WITH ANTI-SPRAY

• **580/518**  
• O.E.: 41298972  
• destro|sinistro  
• peso kg.: 3,500  
• colore: nero  
• SENZA STAFFE

**580/518**  
O.E.: 41298972  
RH|LH  
weight kg.: 3,500  
color: black  
WITHOUT BRACKETS

• **560/521**  
• O.E.: 41298976  
• destro|sinistro  
• peso kg.: 2,710  
• colore: nero  
• SEMIPIATTA  
• CON CINGHIETTI

**560/521**  
O.E.: 41298976  
RH|LH  
weight kg.: 2,710  
color: black  
SEMI-FLAT  
WITH STRETCHERS



**580/518**

**580/519**



# parafanghi posteriori rear mudguards



Adattabile a: **Iveco**  
Suitable to:

**AS Stralis 2013 (HI-WAY)**

adattabile a | adaptable to:

**AD-AT Stralis 2013 (HI-ROAD)**

**AD-AT - AS Stralis 2007**

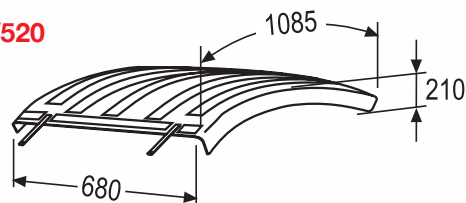
Applicabile al telaio  
con i seguenti supporti  
**540/526-527**  
**540/528-529**

**Materiale: PP**

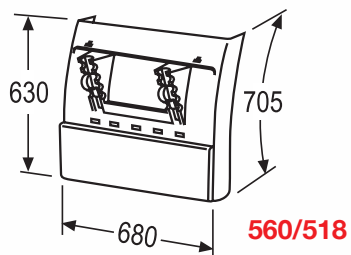
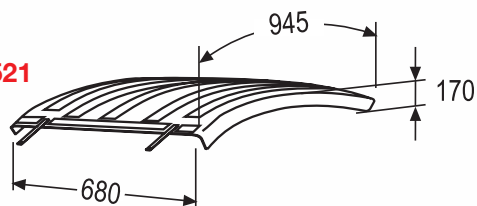
Fits to the chassis  
with the supports  
**540/526-527**  
**540/528-529**

**Material: PP**

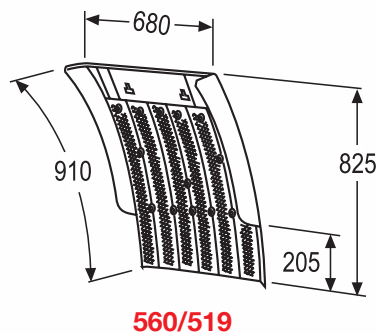
**560/520**



**560/521**

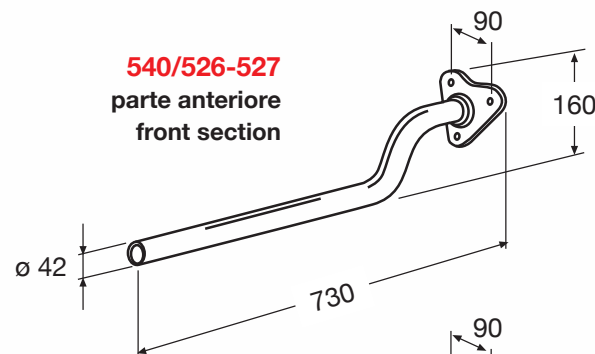


**560/518**

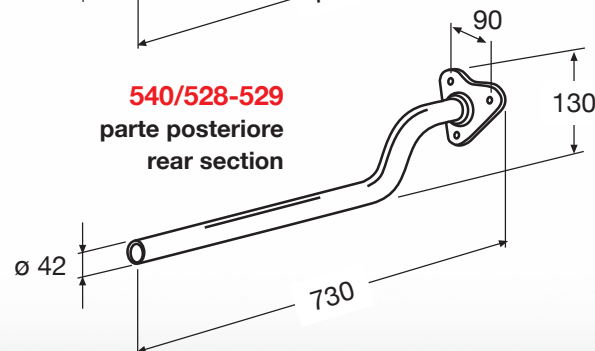


**560/519**

**540/526-527**  
parte anteriore  
front section



**540/528-529**  
parte posteriore  
rear section



**580/538**

O.E.: 41299385  
destro|sinistro  
peso kg.: 1,290  
colore: nero

**580/538**

O.E.: 41299385  
RH|LH  
weight kg.: 1,290  
color: black

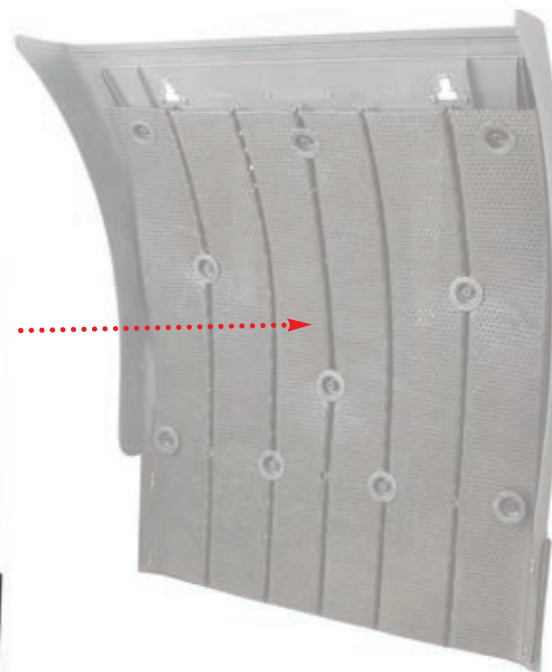


**580/539**

O.E.: 41299384  
destro|sinistro  
peso kg.: 1,770  
colore: nero

**580/539**

O.E.: 41299384  
RH|LH  
weight kg.: 1,770  
color: black



## parafanghi posteriori rear mudguards



Adattabile a: **Iveco**  
Suitable to:

**AS Stralis 2013 (HI-WAY)**

adattabile a | adaptable to:

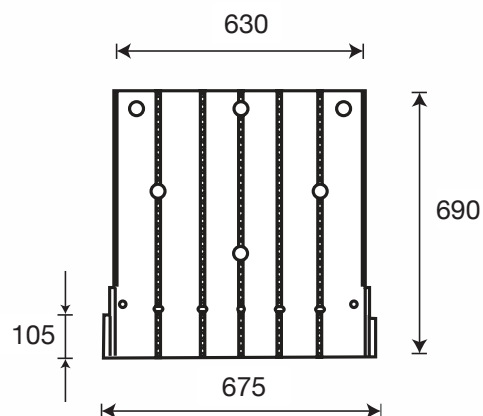
**AD-AT Stralis 2013 (HI-ROAD)**

**AD-AT - AS Stralis 2007**

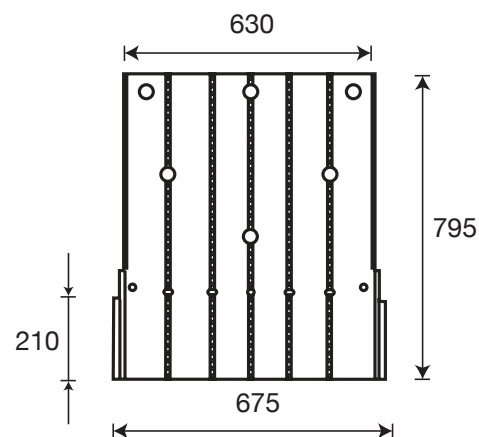
**AD-AT - AS Stralis**

- **Materiale: PP**
- **Material: PP**

**580/538**



**580/539**





- **560/520**
- O.E.: 41298975
- destro|sinistro
- peso kg.: 2,865
- colore: nero
- CIRCOLARE
- CON CINGHIETTI

- **560/520**
- O.E.: 41298975
- RH|LH
- weight kg.: 2,865
- color: black
- CIRCULAR
- WITH STRETCHERS



- **560/519**
- O.E.: 41298964
- destro|sinistro
- peso kg.: 5,035
- colore: nero
- CON STAFFE
- CON ANTI-SPRAY

- **560/519**
- O.E.: 41298964
- RH|LH
- weight kg.: 5,035
- color: black
- WITH BRACKETS
- WITH ANTI-SPRAY



- **560/518**
- O.E.: 41298962
- destro|sinistro
- peso kg.: 3,905
- colore: nero
- CON STAFFE

- **560/518**
- O.E.: 41298962
- RH|LH
- weight kg.: 3,905
- color: black
- WITH BRACKETS

- **560/521**
- O.E.: 41298976
- destro|sinistro
- peso kg.: 2,710
- colore: nero
- SEMIPIATTA
- CON CINGHIETTI

- **560/521**
- O.E.: 41298976
- RH|LH
- weight kg.: 2,710
- color: black
- SEMI-FLAT
- WITH STRETCHERS



560/518

560/519

# parafanghi posteriori rear mudguards



Adattabile a: **Iveco**  
Suitable to:

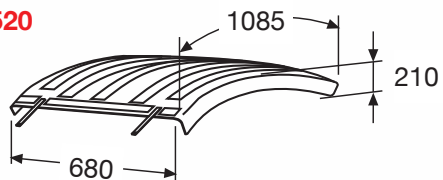
**AD-AT - AS Stralis 2007**

adattabile a | adaptable to:

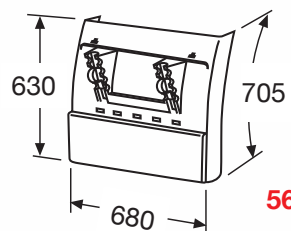
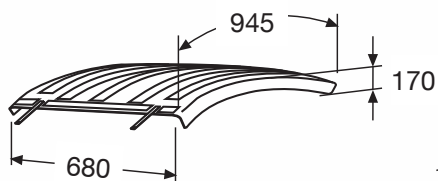
**AD-AT Stralis 2013 (HI-ROAD)**

**AS Stralis 2013 (HI-WAY)**

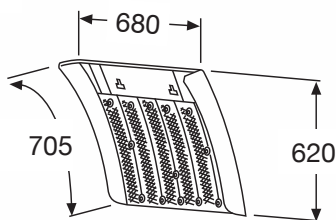
**560/520**



**560/521**

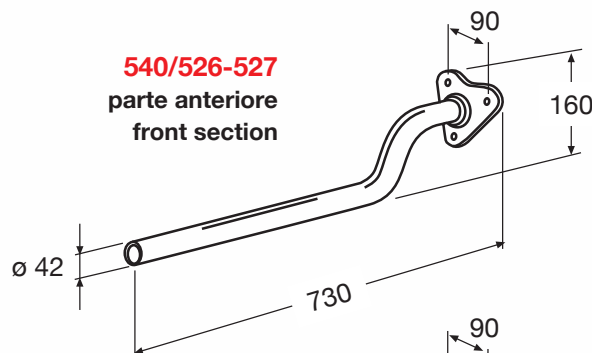


**560/518**

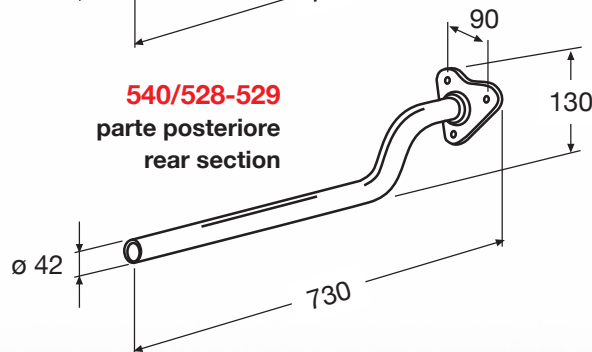


**560/519**

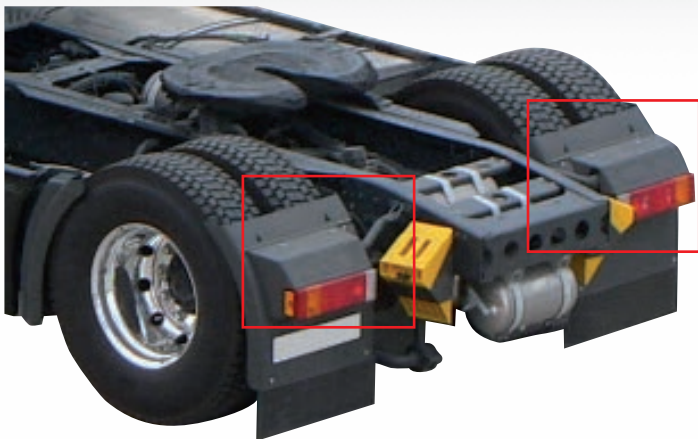
**540/526-527**  
parte anteriore  
front section



**540/528-529**  
parte posteriore  
rear section



- Applicabile al telaio
- con i seguenti supporti
- **540/526-527**
- **540/528-529**
- **Materiale: PP**
- Fits to the chassis
- with the supports
- **540/526-527**
- **540/528-529**
- **Material: PP**



**560/522**  
O.E.: 41298974  
destro  
peso kg.: 1,535  
colore: nero

**560/522**  
O.E.: 41298974  
RH  
weight kg.: 1,535  
color: black

**560/523**  
O.E.: 41298973  
sinistro  
peso kg.: 1,540  
colore: nero

**560/523**  
O.E.: 41298973  
LH  
weight kg.: 1,540  
color: black



**560/524**  
O.E.: 41298888  
destro  
peso kg.: 0,640  
colore: nero

**560/524**  
O.E.: 41298888  
RH  
weight kg.: 0,640  
color: black

**560/525**  
O.E.: 41298887  
sinistro  
peso kg.: 0,630  
colore: nero

**560/525**  
O.E.: 41298887  
LH  
weight kg.: 0,630  
color: black

## parafanghi posteriori rear mudguards



Adattabile a: **Iveco**  
Suitable to: **Iveco**

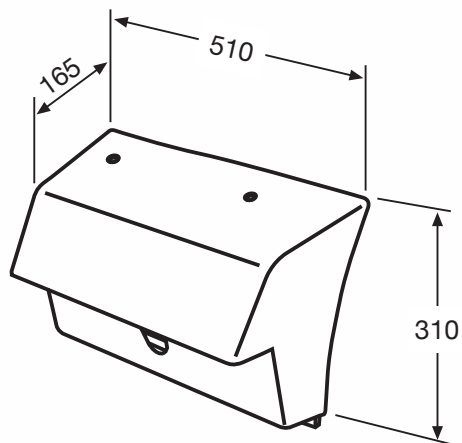
**AD-AT - AS Stralis 2007**

adattabile a | adaptable to:

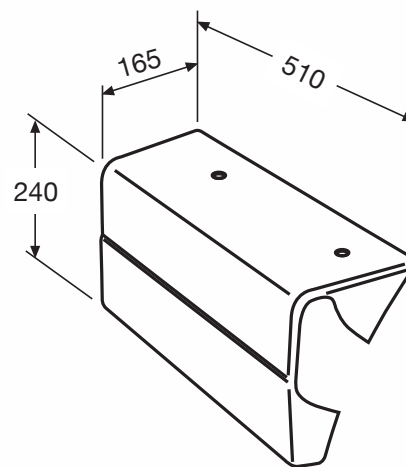
**AD-AT Stralis 2013 (HI-ROAD)**

**AS Stralis 2013 (HI-WAY)**

**560/522-523**



**560/524-525**



- **Materiale: PP**
- **Material: PP**



**540/320**

O.E.: 504003993  
destro  
peso kg.: 5,600  
colore: grigio scuro

**540/320**

O.E.: 504003993  
RH  
weight kg.: 5,600  
color: dark grey



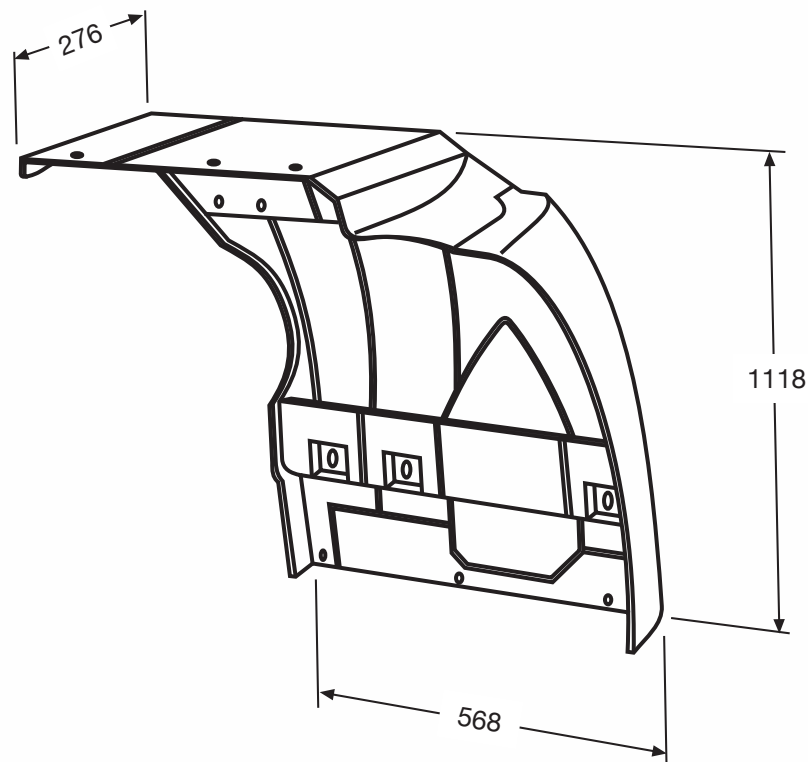
**540/321**

O.E.: 504003992  
sinistro  
peso kg.: 4,350  
colore: grigio scuro

**540/321**

O.E.: 504003992  
LH  
weight kg.: 4,350  
color: dark grey





Adattabile a: **Iveco**  
Suitable to: **Iveco**

**AS Stralis**

adattabile a | adaptable to:

**AD-AT Stralis**

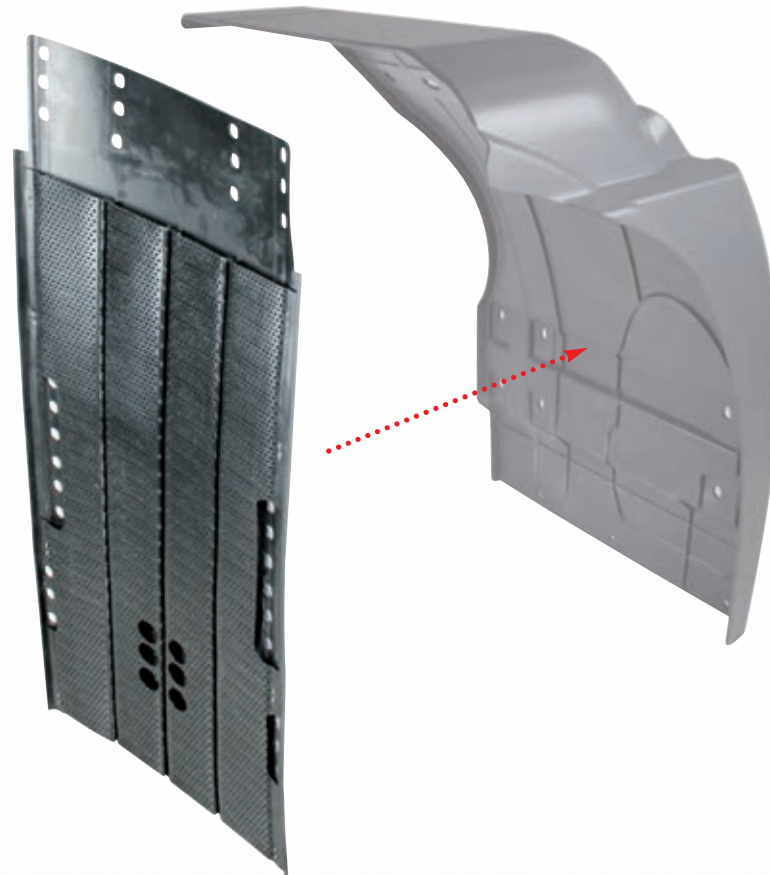
- **Materiale: SMC**
- **Material: SMC**

**540/323**

O.E.: 98462307  
destro|sinistro  
peso kg.: 2,585  
colore: nero

**540/323**

O.E.: 98462307  
RH|LH  
weight kg.: 2,585  
color: black



# paraspruzzi anti-spray



Adattabile a: **Iveco**  
Suitable to: **Iveco**

**AS Stralis**

adattabile a | adaptable to:

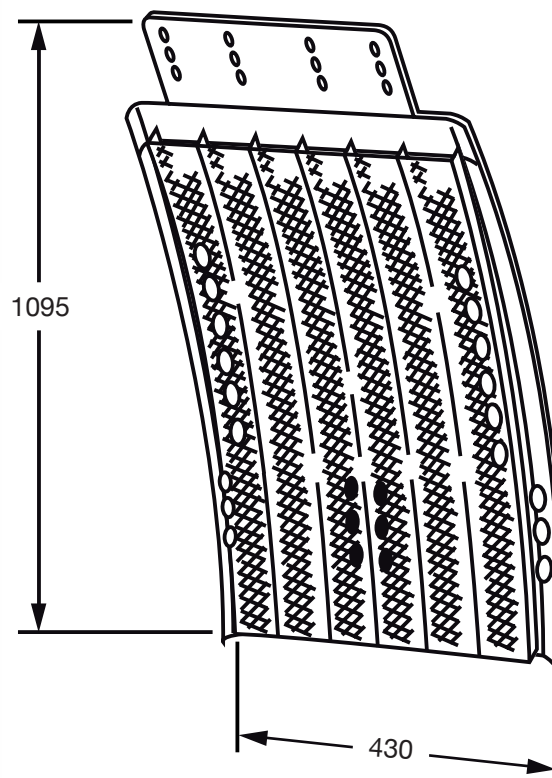
Eurotech

Eurostar

AD-AT Trakker

AD-AT - AS Stralis 2007

AD-AT Stralis



- **Materiale:** PE+PVC
- **Material:** PE+PVC



**540/520**

O.E.: 41213750  
destro|sinistro  
peso kg.: 2,865  
colore: grigio scuro  
CIRCOLARE  
CON CINGHIETTI

**540/520**

O.E.: 41213750  
RH|LH  
weight kg.: 2,865  
color: dark grey  
CIRCULAR  
WITH STRETCHERS



**540/518**

O.E.: 41213753  
destro|sinistro  
peso kg.: 3,905  
colore: grigio scuro  
CON STAFFE

**540/518**

O.E.: 41213753  
RH|LH  
weight kg.: 3,905  
color: dark grey  
WITH BRACKETS



**540/517**

O.E.: 41213755  
destro|sinistro  
peso kg.: 5,550  
colore: grigio scuro  
CON STAFFE  
580/538  
CON ANTI-SPRAY

**540/517**

O.E.: 41213755  
RH|LH  
weight kg.: 5,550  
color: dark grey  
WITH BRACKETS  
580/538  
WITH ANTI-SPRAY



**540/521**

O.E.: 41213751  
destro|sinistro  
peso kg.: 2,710  
colore: grigio scuro  
SEMIPIATTA  
CON CINGHIETTI

**540/521**

O.E.: 41213751  
RH|LH  
weight kg.: 2,710  
color: dark grey  
SEMI-FLAT  
WITH STRETCHERS

# parafanghi posteriori rear mudguards



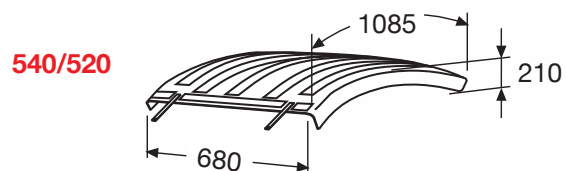
Adattabile a: **Iveco**  
Suitable to:

**AS Stralis**

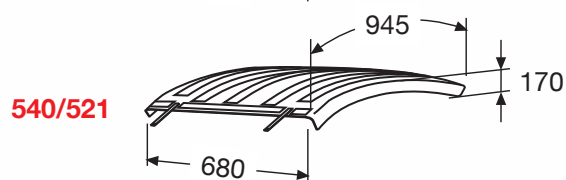
adattabile a | adaptable to:

**AD-AT Stralis**

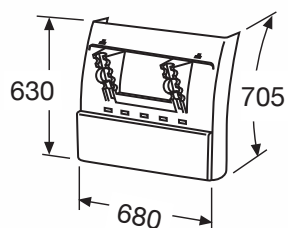
**AD-AT - AS Stralis 2007**



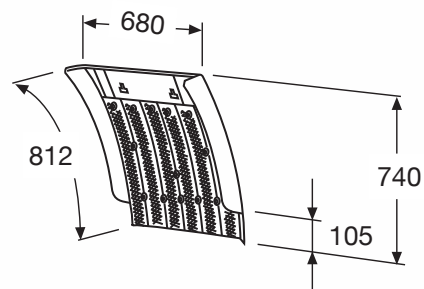
**540/520**



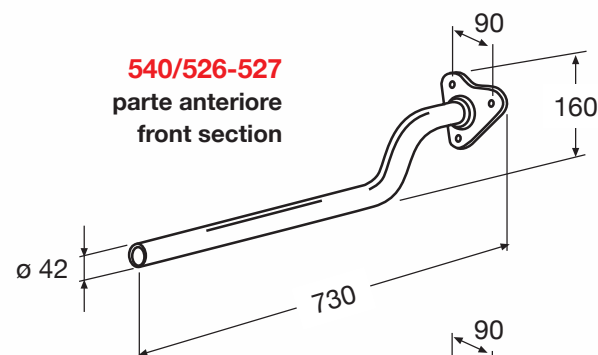
**540/521**



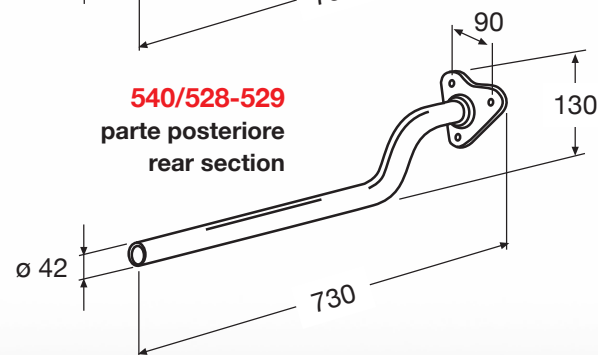
**540/518**



**540/517**



**540/526-527**  
parte anteriore  
front section



**540/528-529**  
parte posteriore  
rear section

- Applicabile al telaio
- con i seguenti supporti
- **540/526-527**
- **540/528-529**

• **Materiale: PP**

- Fits to the chassis
- with the supports
- **540/526-527**
- **540/528-529**

• **Material: PP**

**540/520**  
O.E.: 41213750  
destro|sinistro  
peso kg.: 2,865  
colore: grigio scuro  
CIRCOLARE  
CON CINGHIETTI

**540/520**  
O.E.: 41213750  
RH|LH  
weight kg.: 2,865  
color: dark grey  
CIRCULAR  
WITH STRETCHERS



**540/518**  
O.E.: 41213753  
destro|sinistro  
peso kg.: 3,905  
colore: grigio scuro  
CON STAFFE

**540/518**  
O.E.: 41213753  
RH|LH  
weight kg.: 3,905  
color: dark grey  
WITH BRACKETS



**540/519**  
O.E.: 41213754  
destro|sinistro  
peso kg.: 6,500  
colore: grigio scuro  
CON STAFFE  
580/539  
CON ANTI-SPRAY

**540/519**  
O.E.: 41213754  
RH|LH  
weight kg.: 6,500  
color: dark grey  
WITH BRACKETS  
580/539  
WITH ANTI-SPRAY

**540/521**  
O.E.: 41213751  
destro|sinistro  
peso kg.: 2,710  
colore: grigio scuro  
SEMIPIATTA  
CON CINGHIETTI

**540/521**  
O.E.: 41213751  
RH|LH  
weight kg.: 2,710  
color: dark grey  
SEMI-FLAT  
WITH STRETCHERS



540/519

540/518

# parafanghi posteriori rear mudguards



Adattabile a: **Iveco**  
Suitable to:

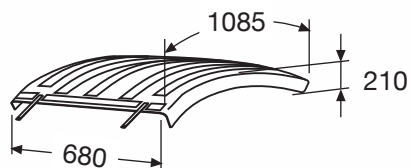
**AS Stralis**

adattabile a | adaptable to:

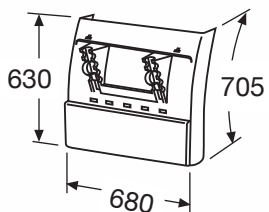
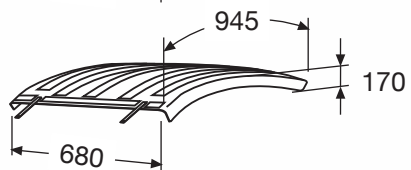
**AD-AT Stralis**

**AD-AT - AS Stralis 2007**

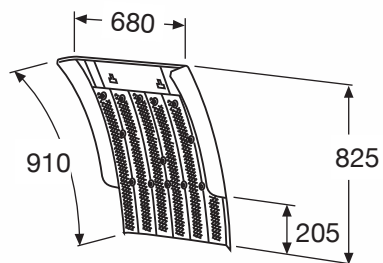
**540/520**



**540/521**

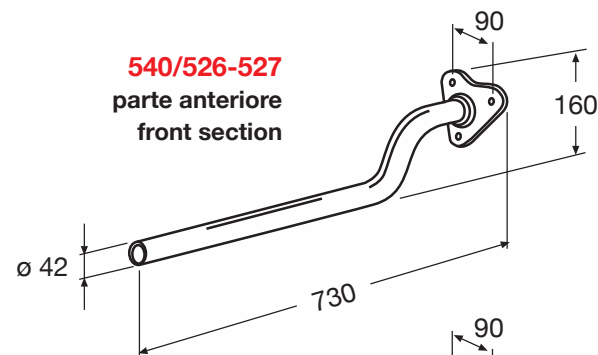


**540/518**

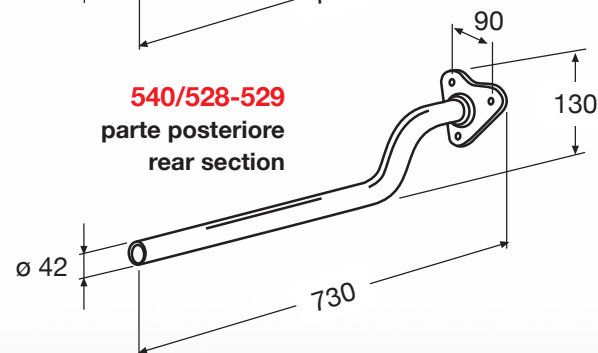


**540/519**

**540/526-527**  
parte anteriore  
front section

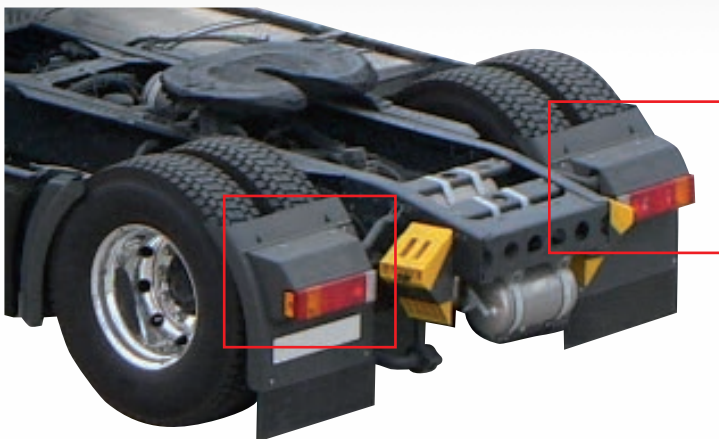


**540/528-529**  
parte posteriore  
rear section



- Applicabile al telaio
- con i seguenti supporti
- **540/526-527**
- **540/528-529**
- **Materiale: PP**
- Fits to the chassis
- with the supports
- **540/526-527**
- **540/528-529**
- **Material: PP**





**540/522**

O.E.: 41218984

destro

peso kg.: 1,535

colore: grigio scuro

**540/522**

O.E.: 41218984

RH

weight kg.: 1,535

color: dark grey

**540/523**

O.E.: 41218983

sinistro

peso kg.: 1,540

colore: grigio scuro

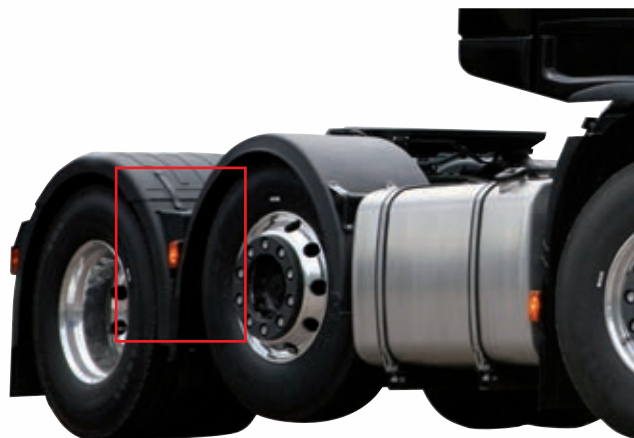
**540/523**

O.E.: 41218983

LH

weight kg.: 1,540

color: dark grey



**540/524**

O.E.: 41213720

destro

peso kg.: 0,640

colore: grigio scuro

**540/524**

O.E.: 41213720

RH

weight kg.: 0,640

color: dark grey

**540/525**

O.E.: 41213721

sinistro

peso kg.: 0,630

colore: grigio scuro

**540/525**

O.E.: 41213721

LH

weight kg.: 0,630

color: dark grey

## parafanghi posteriori rear mudguards



Adattabile a: **Iveco**  
Suitable to:

**AS Stralis**

adattabile a | adaptable to:

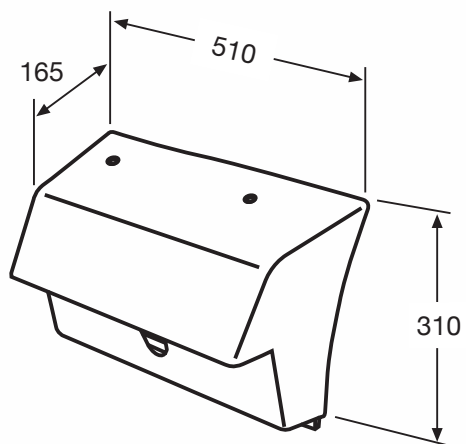
**AD-AT Stralis**

**AD-AT - AS Stralis 2007**

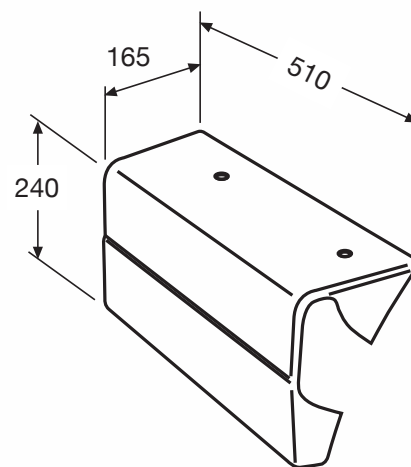
**AD-AT Trakker**

**AD-AT Trakker 2007**

**540/522-523**



**540/524-525**



- **Materiale: PP**
- **Material: PP**



**540/515**

O.E.: 2997670

peso kg.: 0,070

colore: grigio scuro

**540/515**

O.E.: 2997670

weight kg.: 0,070

color: dark grey



## parafanghi posteriori rear mudguards



Adattabile a: **Iveco**  
Suitable to: **Iveco**

**AS Stralis**

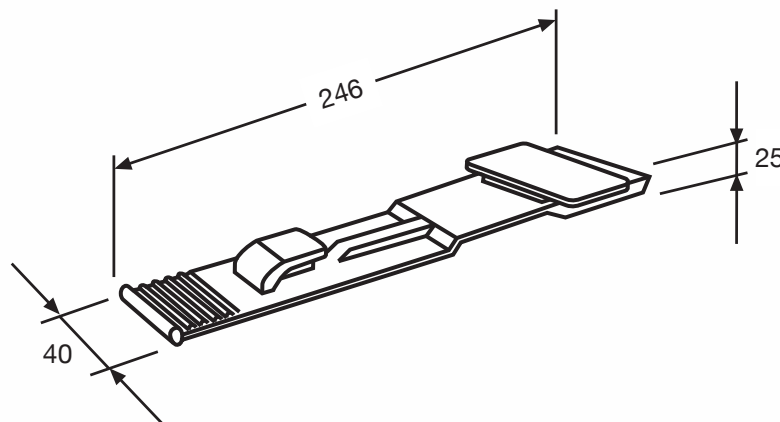
adattabile a | adaptable to:

**AD-AT Stralis**

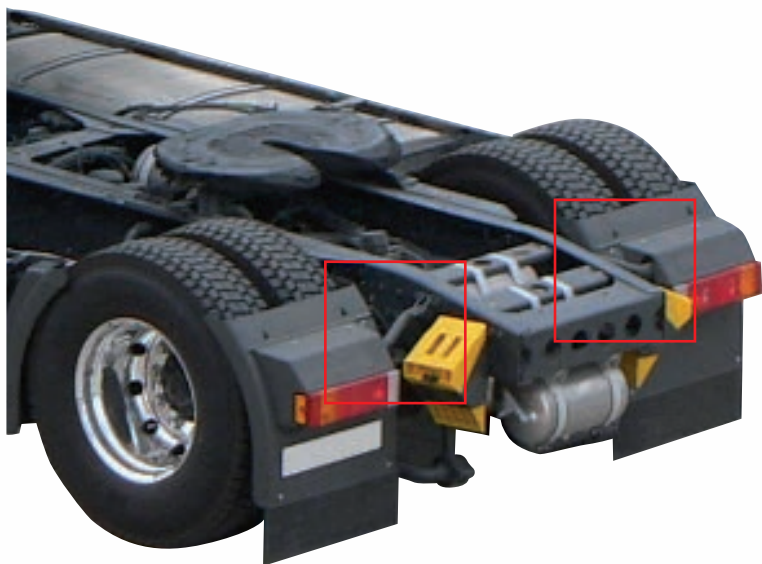
**AD-AT - AS Stralis 2007**

**AD-AT - AS Stralis 2013**

- **Materiale: EPDM**
- **Material: EPDM**







**540/526**  
O.E.: 41213727  
destro  
peso kg.: 4,900  
colore: nero  
PARTE ANTERIORE

**540/527**  
O.E.: 41213725  
sinistro  
peso kg.: 4,885  
colore: nero  
PARTE ANTERIORE

**540/526**  
O.E.: 41213727  
RH  
weight kg.: 4,900  
color: black  
FRONT SECTION

**540/527**  
O.E.: 41213725  
LH  
weight kg.: 4,885  
color: black  
FRONT SECTION



**540/528**  
O.E.: 41213731  
destro  
peso kg.: 4,750  
colore: nero  
PARTE POSTERIORE

**540/529**  
O.E.: 41213729  
sinistro  
peso kg.: 4,775  
colore: nero  
PARTE POSTERIORE

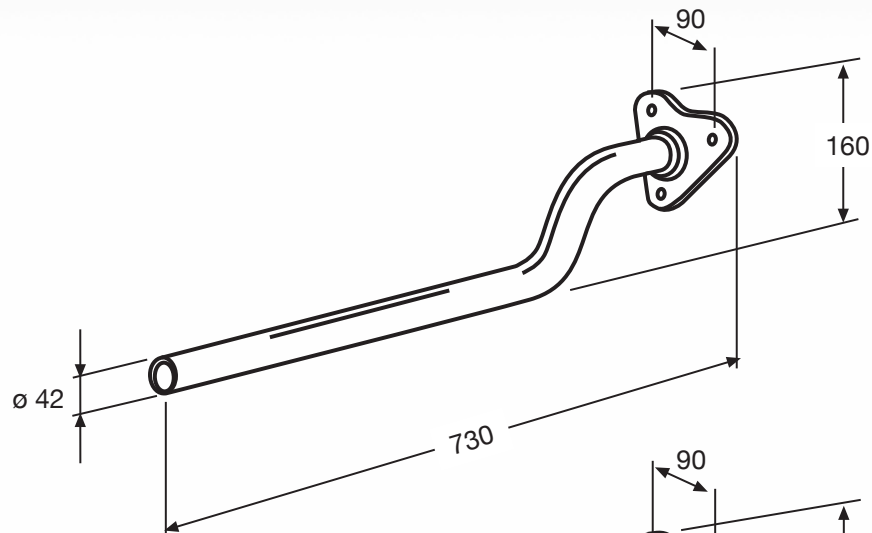
**540/528**  
O.E.: 41213731  
RH  
weight kg.: 4,750  
color: black  
REAR SECTION

**540/529**  
O.E.: 41213729  
LH  
weight kg.: 4,775  
color: black  
REAR SECTION

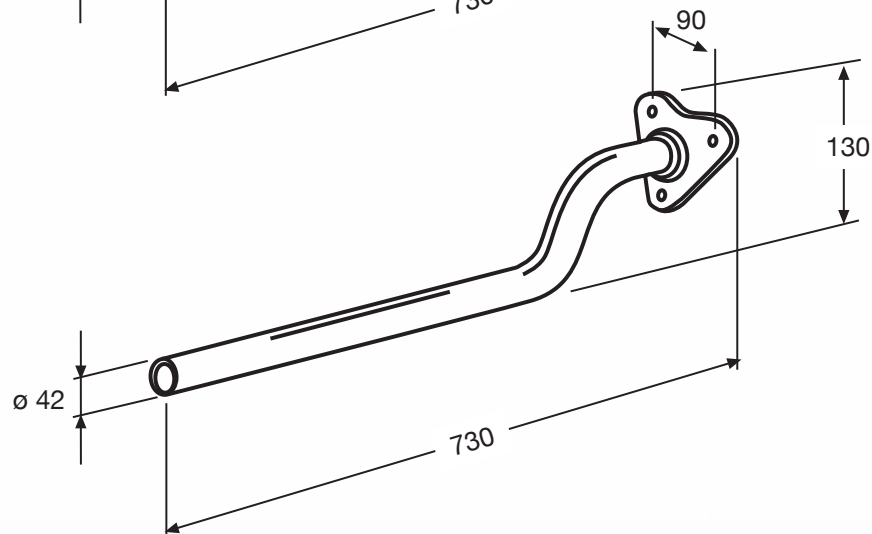
## parafanghi posteriori rear mudguards



540/526  
540/527



540/528  
540/529



Adattabile a: **Iveco**  
Suitable to:

**AS Stralis**  
adattabile a | adaptable to:  
**AD-AT Stralis**  
**AD-AT - AS Stralis 2007**  
**AD-AT - AS Stralis 2013**

- **Materiale: Ferro**
- **Material: Iron**

**530/324**

O.E.: 504016309  
destro  
peso kg.: 5,600  
colore: grigio scuro

**530/324**

O.E.: 504016309  
RH  
weight kg.: 5,600  
color: dark grey

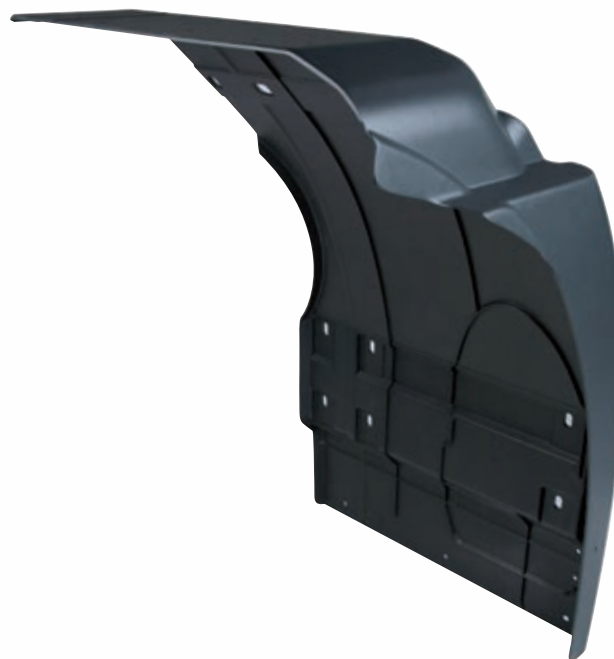


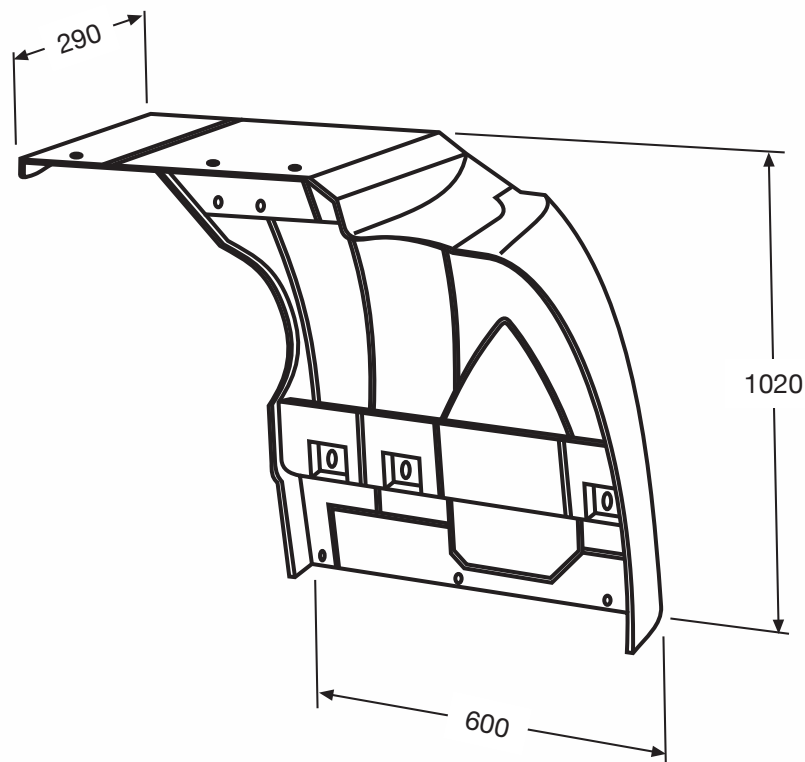
**530/325**

O.E.: 504016308  
sinistro  
peso kg.: 5,600  
colore: grigio scuro

**530/325**

O.E.: 504016308  
LH  
weight kg.: 5,600  
color: dark grey





Adattabile a: **Iveco**  
Suitable to: **Iveco**

**AD-AT Stralis**

adattabile a | adaptable to:

**AS Stralis**

- **Materiale: SMC**
- **Material: SMC**



**240/314**

O.E.: 3796975

destro

peso kg.: 0,490

colore: nero

**240/314**

O.E.: 3796975

RH

weight kg.: 0,490

color: black



**240/315**

O.E.: 3796974

sinistro

peso kg.: 0,485

colore: nero

**240/315**

O.E.: 3796974

LH

weight kg.: 0,485

color: black





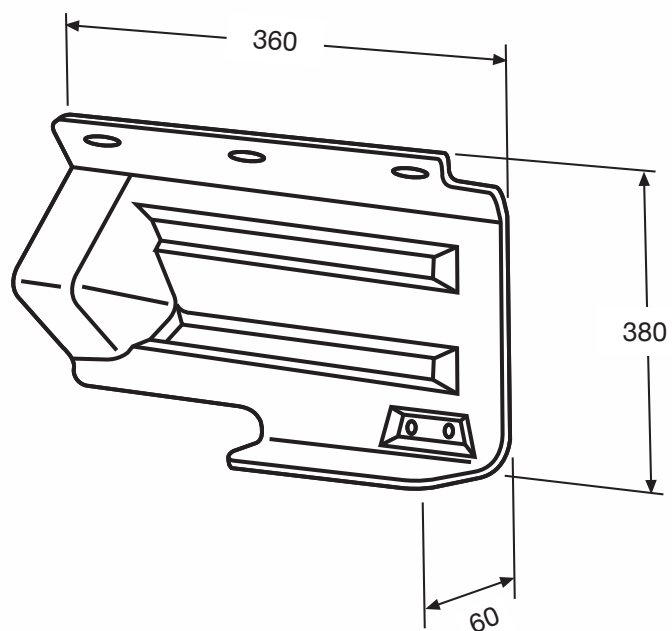
Adattabile a: **Iveco**  
Suitable to: **Iveco**

**Eurotech**

adattabile a | adaptable to:

**Eurostar**

- **Materiale: ABS**
- **Material: ABS**



Il disegno tecnico rappresenta entrambi i particolari in quanto speculari e con le stesse dimensioni.  
Same technical drawing is used to represent both items. These components are specular and with the same dimensions.

**240/316**

O.E.: 3797065

destro

peso kg.: 0,600

colore: nero

**240/316**

O.E.: 3797065

RH

weight kg.: 0,600

color: black



**240/317**

O.E.: 3797064

sinistro

peso kg.: 0,600

colore: nero

**240/317**

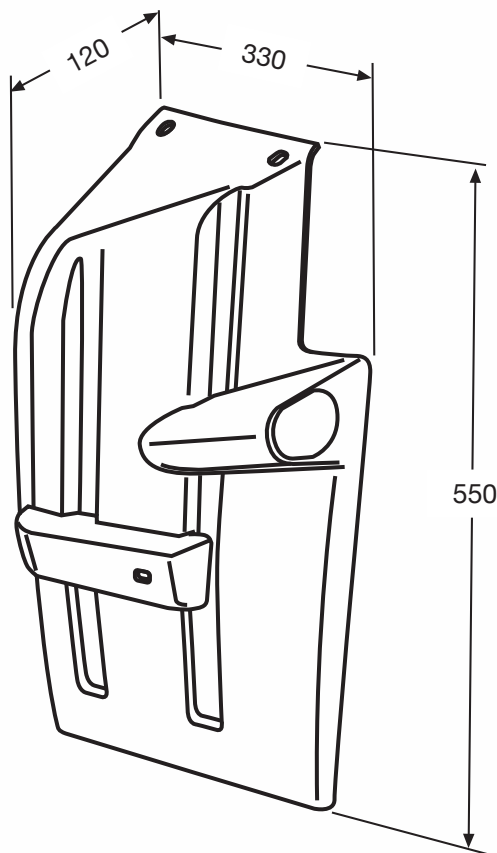
O.E.: 3797064

LH

weight kg.: 0,600

color: black





Adattabile a: **Iveco**  
Suitable to: **Iveco**

**Eurotech**

adattabile a | adaptable to:

**Eurostar**

- **Materiale: ABS**
- **Material: ABS**



**240/318**

O.E.: 3797997

destro

peso kg.: 0,420

colore: nero

**240/318**

O.E.: 3797997

RH

weight kg.: 0,420

color: black



**240/319**

O.E.: 3797996

sinistro

peso kg.: 0,405

colore: nero

**240/319**

O.E.: 3797996

LH

weight kg.: 0,405

color: black





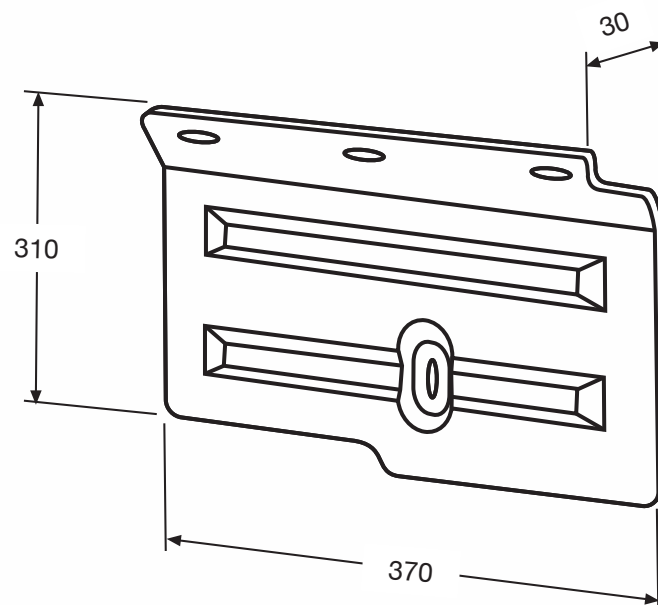
Adattabile a: **Iveco**  
Suitable to: **Iveco**

**Eurotech**

adattabile a | adaptable to:

**Eurostar**

- **Materiale: ABS**
- **Material: ABS**



Il disegno tecnico rappresenta entrambi i particolari in quanto speculari e con le stesse dimensioni.  
Same technical drawing is used to represent both items. These components are specular and with the same dimensions.

**240/320**

O.E.: 8144469

destro

peso kg.: 5,600

colore: grigio scuro

**240/320**

O.E.: 8144469

RH

weight kg.: 5,600

color: dark grey



**240/321**

O.E.: 8144468

sinistro

peso kg.: 4,350

colore: grigio scuro

**240/321**

O.E.: 8144468

LH

weight kg.: 4,350

color: dark grey





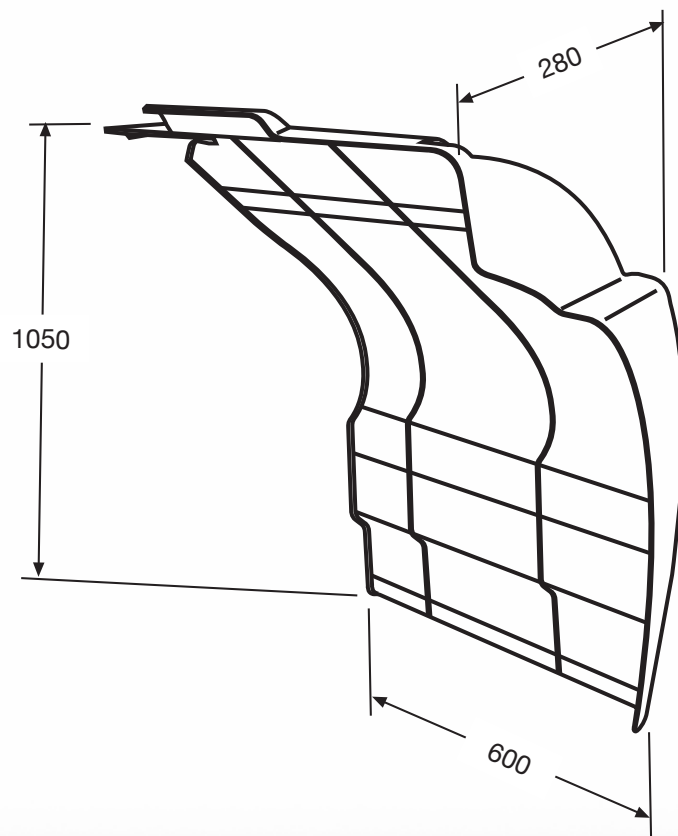
Adattabile a: **Iveco**  
Suitable to: **Iveco**

**Eurotech**

adattabile a | adaptable to:

**Eurostar**

**Eurotrakker**



- **Materiale: SMC**
- **Material: SMC**

Il disegno tecnico rappresenta entrambi i particolari in quanto speculari e con le stesse dimensioni.  
Same technical drawing is used to represent both items. These components are specular and with the same dimensions.



**240/326**

O.E.: 8143145

destro

peso kg.: 5,600

colore: grigio scuro

**240/326**

O.E.: 8143145

RH

weight kg.: 5,600

color: dark grey



**240/327**

O.E.: 8143148

sinistro

peso kg.: 5,600

colore: grigio scuro

**240/327**

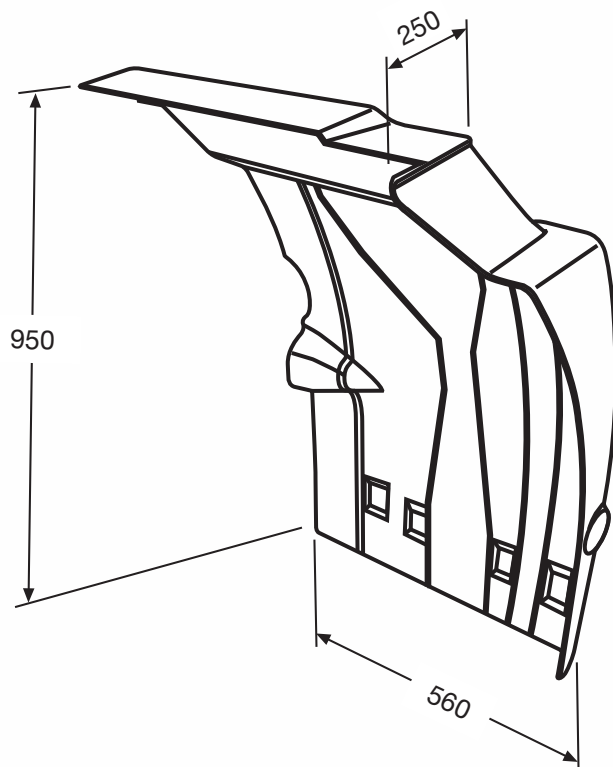
O.E.: 8143148

LH

weight kg.: 5,600

color: dark grey





Adattabile a: **Iveco**  
Suitable to: **Iveco**

**Eurotech**  
adattabile a | adaptable to:  
**Eurostar**  
**Eurotrakker**

- **Materiale: SMC**
- **Material: SMC**

**240/520**  
O.E.: 41003236  
destro  
peso kg.: 3,550  
colore: grigio scuro  
CIRCOLARE  
SENZA CINGHIETTI

• **240/520**  
• O.E.: 41003236  
• RH  
• weight kg.: 3,550  
• color: dark grey  
• CIRCULAR  
• WITHOUT STRETCHERS



**240/522**  
O.E.: 41003047  
posteriore destro  
peso kg.: 5,000  
colore: grigio scuro  
SENZA ANTI-SPRAY

• **240/522**  
• O.E.: 41003047  
• RH rear  
• weight kg.: 5,000  
• color: dark grey  
• WITHOUT ANTI-SPRAY

**240/521**  
O.E.: 41002927  
sinistro  
peso kg.: 3,500  
colore: grigio scuro  
CIRCOLARE  
SENZA CINGHIETTI

• **240/521**  
• O.E.: 41002927  
• LH  
• weight kg.: 3,500  
• color: dark grey  
• CIRCULAR  
• WITHOUT STRETCHERS



**240/523**  
O.E.: 41003046  
posteriore sinistro  
peso kg.: 5,000  
colore: grigio scuro  
SENZA ANTI-SPRAY

• **240/523**  
• O.E.: 41003046  
• LH rear  
• weight kg.: 5,000  
• color: dark grey  
• WITHOUT ANTI-SPRAY



• **240/516**  
• O.E.: 41002176  
• anteriore destro  
• peso kg.: 4,750  
• colore: grigio scuro  
• CON SCANTONATURA

**240/516**  
O.E.: 41002176  
RH front  
weight kg.: 4,750  
color: dark grey  
WITH NOTCHING



**240/517**  
O.E.: 41002177  
anteriore sinistro  
peso kg.: 5,300  
colore: grigio scuro  
CON SCANTONATURA

**240/517**  
O.E.: 41002177  
LH front  
weight kg.: 5,300  
color: dark grey  
WITH NOTCHING

# parafanghi posteriori rear mudguards



Adattabile a: **Iveco**  
Suitable to:

**Eurotech**

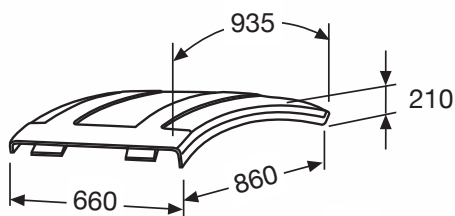
adattabile a | adaptable to:

**Eurostar**

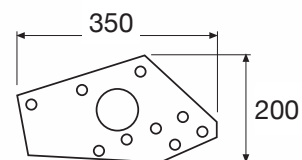
**AD-AT Eurotrakker**

**AD-AT Eurotrakker 2007**

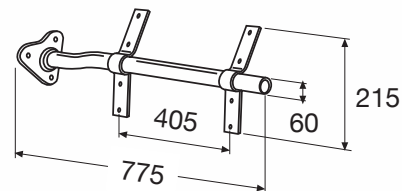
**240/520-521**



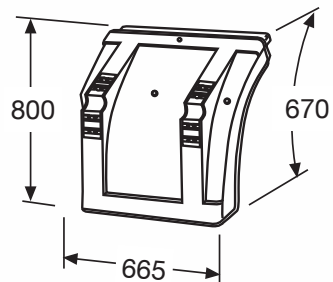
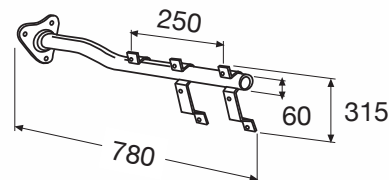
**240/502**  
d/s - RH|LH



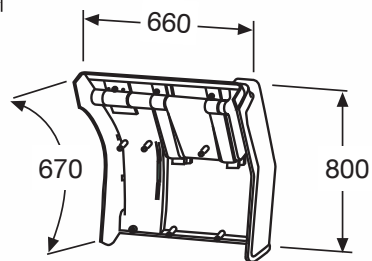
**240/504-505**  
parte anteriore  
front section



**240/506-507**  
parte posteriore  
rear section



**240/516-517**



**240/522-523**

- Applicabile al telaio con i seguenti supporti
- **240/502**
- **240/504-505**
- **240/506-507**
- **Materiale: PE**
- Fits to the chassis with the supports
- **240/502**
- **240/504-505**
- **240/506-507**
- **Material: PE**



**240/520**

O.E.: 41003236  
destro  
peso kg.: 3,550  
colore: grigio scuro  
CIRCOLARE

• **240/520**  
• O.E.: 41003236  
• RH  
• weight kg.: 3,550  
• color: dark grey  
• CIRCULAR



**240/521**

O.E.: 41002927  
sinistro  
peso kg.: 3,500  
colore: grigio scuro  
CIRCOLARE

• **240/521**  
• O.E.: 41002927  
• RH|LH  
• weight kg.: 3,500  
• color: dark grey  
• CIRCULAR



**240/523**

O.E.: 41003046  
posteriore sinistro  
peso kg.: 5,000  
colore: grigio scuro  
SENZA ANTI-SPRAY

**240/523**

O.E.: 41003046  
LH rear  
weight kg.: 5,000  
color: dark grey  
WITHOUT ANTI-SPRAY

**240/522**

O.E.: 41003047  
posteriore destro  
peso kg.: 5,000  
colore: grigio scuro  
SENZA ANTI-SPRAY

**240/522**

O.E.: 41003047  
RH rear  
weight kg.: 5,000  
color: dark grey  
WITHOUT ANTI-SPRAY

**240/518**

O.E.: 41002409  
anteriore destro  
peso kg.: 5,450  
colore: grigio scuro

**240/518**

O.E.: 41002409  
RH front  
weight kg.: 5,450  
color: dark grey

**240/519**

O.E.: 41016379  
anteriore sinistro  
peso kg.: 5,350  
colore: grigio scuro

**240/519**

O.E.: 41016379  
LH front  
weight kg.: 5,350  
color: dark grey



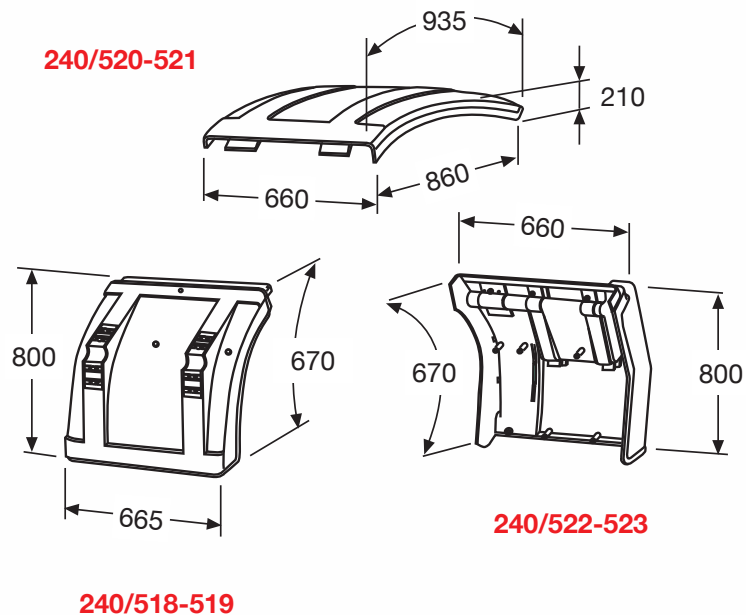
# parafanghi posteriori rear mudguards



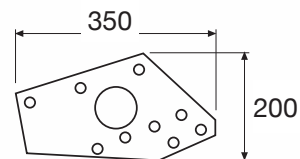
Adattabile a: **Iveco**  
Suitable to:

**Eurotech**  
adattabile a | adaptable to:  
**Eurostar**  
**AS Stralis**

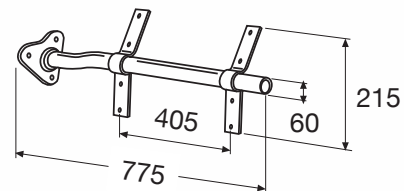
- Applicabile al telaio
- con i seguenti supporti
- **240/502**
- **240/504-505**
- **240/506-507**
- **Materiale: PE**
- Fits to the chassis
- with the supports
- **240/502**
- **240/504-505**
- **240/506-507**
- **Material: PE**



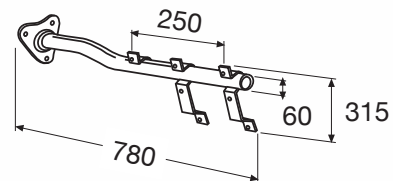
**240/502**  
d/s - RH|LH

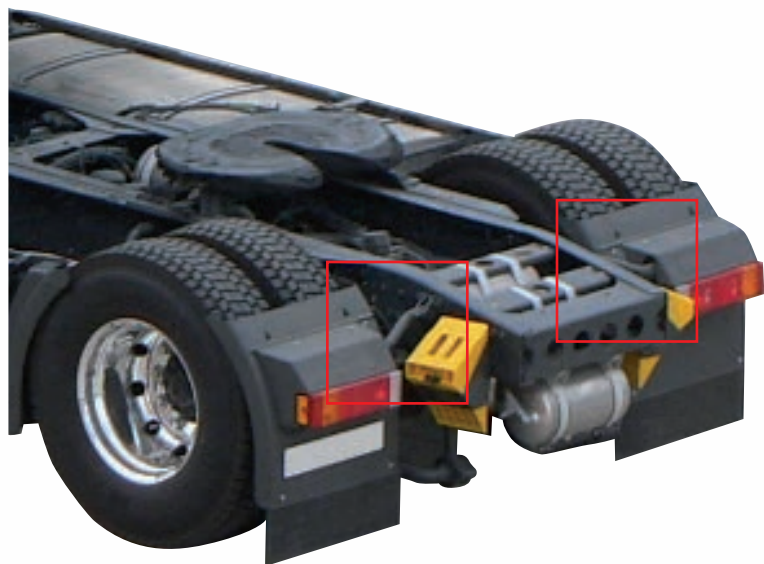


**240/504-505**  
parte anteriore  
front section



**240/506-507**  
parte posteriore  
rear section





**240/504**  
O.E.: 41014982  
destro  
peso kg.: 7,340  
colore: nero  
PARTE ANTERIORE

**240/504**  
O.E.: 41014982  
RH  
weight kg.: 7,340  
color: black  
FRONT SECTION

**240/505**  
O.E.: 41014981  
sinistro  
peso kg.: 7,330  
colore: nero  
PARTE ANTERIORE

**240/505**  
O.E.: 41014981  
LH  
weight kg.: 7,330  
color: black  
FRONT SECTION

**240/506**  
O.E.: 41014998  
destro  
peso kg.: 7,730  
colore: rosso  
PARTE POSTERIORE

**240/506**  
O.E.: 41014998  
RH  
weight kg.: 7,730  
color: red  
REAR SECTION

**240/507**  
O.E.: 41014997  
sinistro  
peso kg.: 7,400  
colore: nero  
PARTE POSTERIORE

**240/507**  
O.E.: 41014997  
LH  
weight kg.: 7,400  
color: black  
REAR SECTION



**240/502**  
O.E.: 41015727  
destro|sinistro  
peso kg.: 1,670  
colore: rosso

**240/502**  
O.E.: 41015727  
RH|LH  
weight kg.: 1,670  
color: red

## parafanghi posteriori rear mudguards



Adattabile a: **Iveco**  
Suitable to:

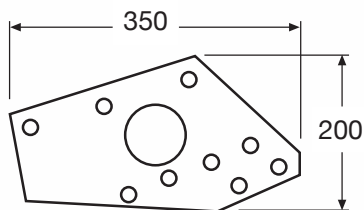
**Eurotech**

adattabile a | adaptable to:

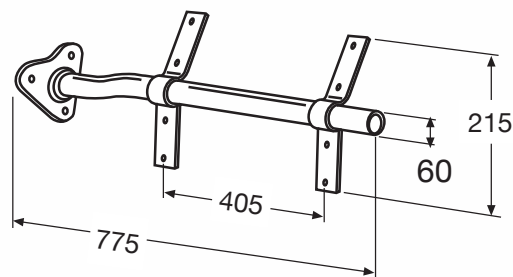
**Eurostar**

**AS Stralis**

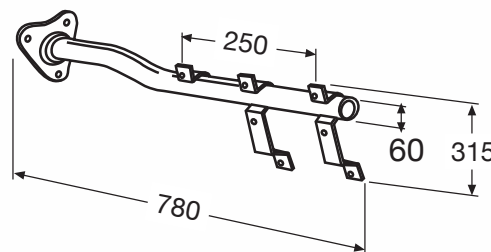
**240/502**



**240/504-505**



**240/506-507**



• **Materiale:** PE

• Applicabile  
• ai parafanghi  
• **240/516-517**  
• **240/518-519**  
• **240/520-521**  
• **240/522-523**

• **Material:** PE

• Fits to the  
• mudguards  
• **240/516-517**  
• **240/518-519**  
• **240/520-521**  
• **240/522-523**

**240/512**

O.E.: 41016244  
peso kg.: 0,090  
colore: nero

**240/512**

O.E.: 41016244  
weight kg.: 0,090  
color: black



**240/513**

O.E.: 42125681  
peso kg.: 0,090  
colore: nero

**240/513**

O.E.: 42125681  
weight kg.: 0,090  
color: black



**240/508**

O.E.: 41002935  
destro  
peso kg.: 0,810  
colore: grigio scuro

**240/508**

O.E.: 41002935  
RH  
weight kg.: 0,810  
color: dark grey



**240/509**

O.E.: 41002934  
sinistro  
peso kg.: 0,810  
colore: grigio scuro

**240/509**

O.E.: 41002934  
LH  
weight kg.: 0,810  
color: dark grey





## parafanghi posteriori rear mudguards



Adattabile a: **Iveco**  
Suitable to: **Iveco**

**Eurotech**

adattabile a | adaptable to:

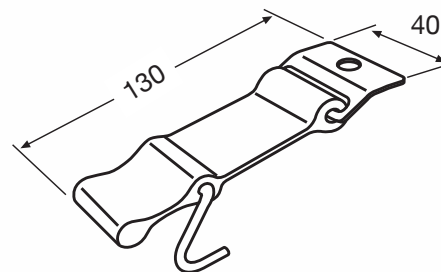
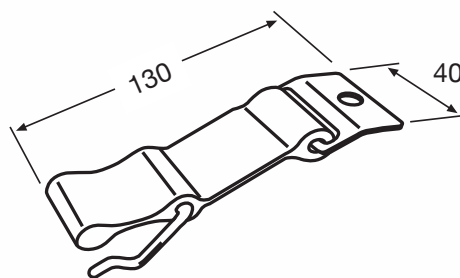
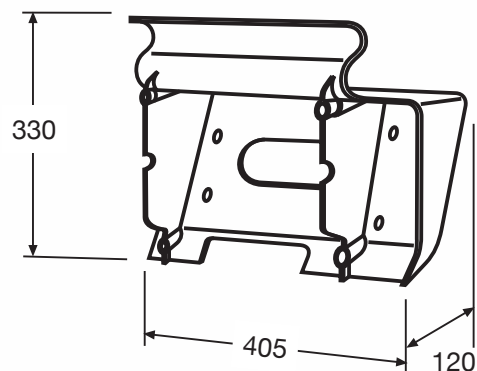
**Eurostar**

**AS Stralis**

**240/508-509**

**240/512**

**240/513**



• **Materiale:** EPDM

• Applicabile  
• ai parafanghi  
• **240/516-517**  
• **240/518-519**  
• **240/520-521**  
• **240/522-523**

• **Material:** EPDM

• Fits to the  
• mudguards  
• **240/516-517**  
• **240/518-519**  
• **240/520-521**  
• **240/522-523**

**240/530**  
O.E.: 41032400  
destro|sinistro  
peso kg.: 3,440  
colore: grigio  
CIRCOLARE  
CON CINGHIETTI  
WITH STRETCHERS

**240/530**  
O.E.: 41032400  
RH|LH  
weight kg.: 3,440  
color: grey  
CIRCULAR  
WITH STRETCHERS

**240/532**  
O.E.: 41210255  
posteriore destro  
peso kg.: 3,410  
colore: grigio  
SENZA ANTI-SPRAY  
CON STAFFE

**240/532**  
O.E.: 41210255  
RH front  
weight kg.: 3,410  
color: grey  
WITHOUT ANTI-SPRAY  
WITH BRACKETS

**240/533**  
O.E.: 41032407  
posteriore sinistro  
peso kg.: 3,350  
colore: grigio  
SENZA ANTI-SPRAY  
CON STAFFE

**240/533**  
O.E.: 41032407  
LH rear  
weight kg.: 3,350  
color: grey  
WITHOUT ANTI-SPRAY  
WITH BRACKETS



**240/528**  
O.E.: 41210252  
anteriore destro  
peso kg.: 3,410  
colore: grigio  
CON STAFFE

**240/528**  
O.E.: 41210252  
RH front  
weight kg.: 3,410  
color: grey  
WITH BRACKETS



**240/529**  
O.E.: 41032403  
anteriore sinistro  
peso kg.: 3,351  
colore: grigio  
CON STAFFE

**240/529**  
O.E.: 41032403  
LH front  
weight kg.: 3,351  
color: grey  
WITH BRACKETS



# parafanghi posteriori rear mudguards

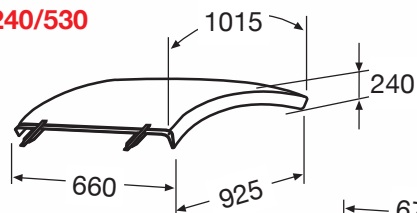


Adattabile a: **Iveco**  
Suitable to:

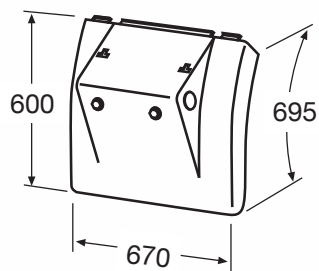
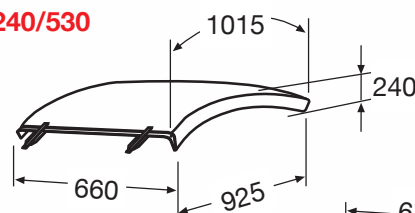
**Eurotech**  
adattabile a | adaptable to:  
**Eurostar**  
**AS Stralis**

- Materiale: PE
- Material: PE

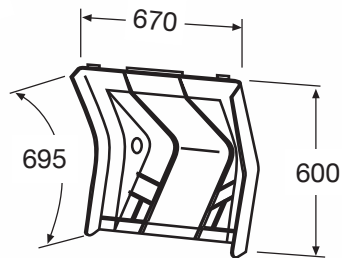
**240/530**



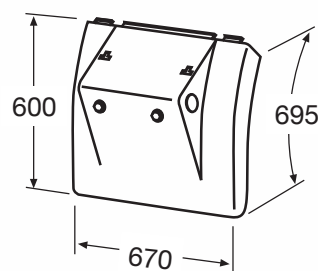
**240/530**



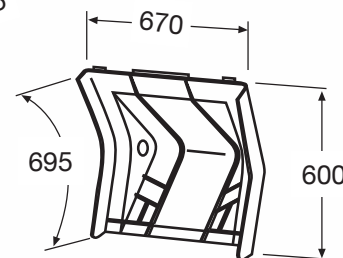
**240/528**



**240/532**



**240/529**



**240/533**

**240/531**  
O.E.: 41032399  
destro|sinistro  
peso kg.: 3,000  
colore: grigio  
SEMIPIATTA  
CON CINGHIETTI  
E INNESTI

**240/531**  
O.E.: 41032399  
RH|LH  
weight kg.: 3,000  
color: grey  
SEMI-FLAT  
WITH STRETCHERS  
AND CONNECTIONS



**240/532**  
O.E.: 41210255  
posteriore destro  
peso kg.: 3,410  
colore: grigio  
SENZA ANTI-SPRAY  
CON STAFFE

**240/532**  
O.E.: 41210255  
RH front  
weight kg.: 3,410  
color: grey  
WITHOUT ANTI-SPRAY  
WITH BRACKETS



**240/533**  
O.E.: 41032407  
posteriore sinistro  
peso kg.: 3,350  
colore: grigio  
SENZA ANTI-SPRAY  
CON STAFFE

**240/533**  
O.E.: 41032407  
LH rear  
weight kg.: 3,350  
color: grey  
WITHOUT ANTI-SPRAY  
WITH BRACKETS

240/531



**240/528**  
O.E.: 41210252  
anteriore destro  
peso kg.: 3,410  
colore: grigio  
CON STAFFE

**240/528**  
O.E.: 41210252  
RH front  
weight kg.: 3,410  
color: grey  
WITH BRACKETS

**240/529**  
O.E.: 41032403  
anteriore sinistro  
peso kg.: 3,351  
colore: grigio  
CON STAFFE

**240/529**  
O.E.: 41032403  
LH front  
weight kg.: 3,351  
color: grey  
WITH BRACKETS



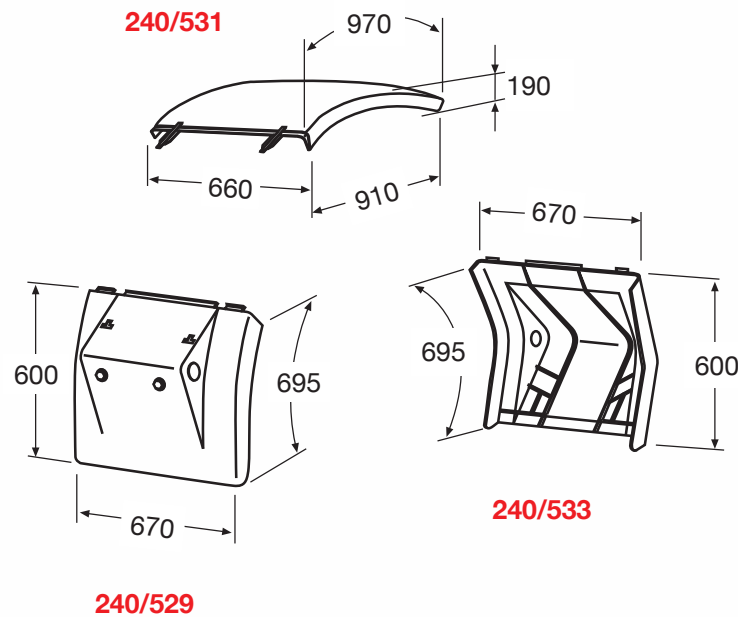
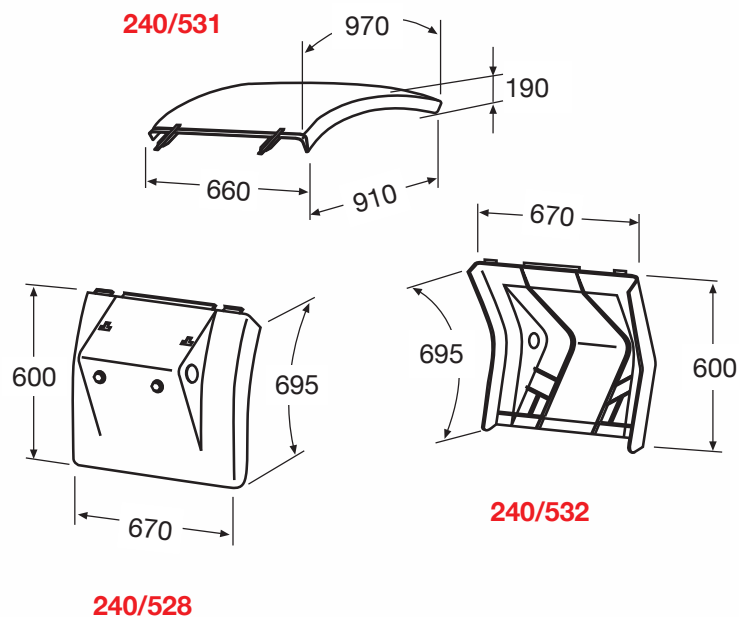
# parafanghi posteriori rear mudguards



Adattabile a: **Iveco**  
Suitable to: **Iveco**

**Eurotech**  
adattabile a | adaptable to:  
**Eurostar**  
**AS Stralis**

- **Materiale: PE**
- **Material: PE**

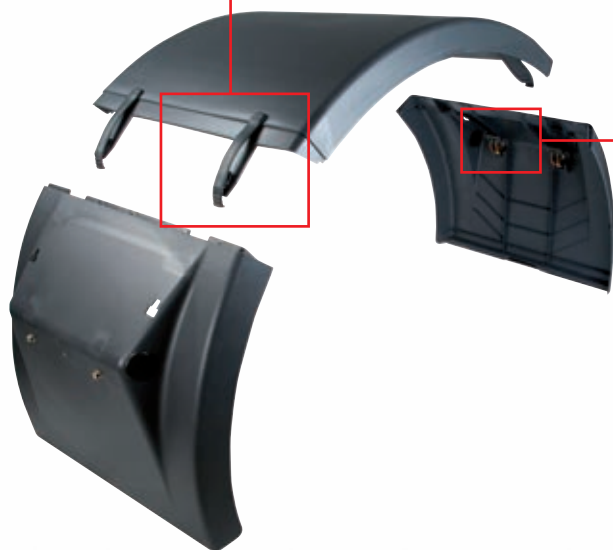






**240/535**  
O.E.: 42559051  
peso kg.: 0,050  
colore: grigio

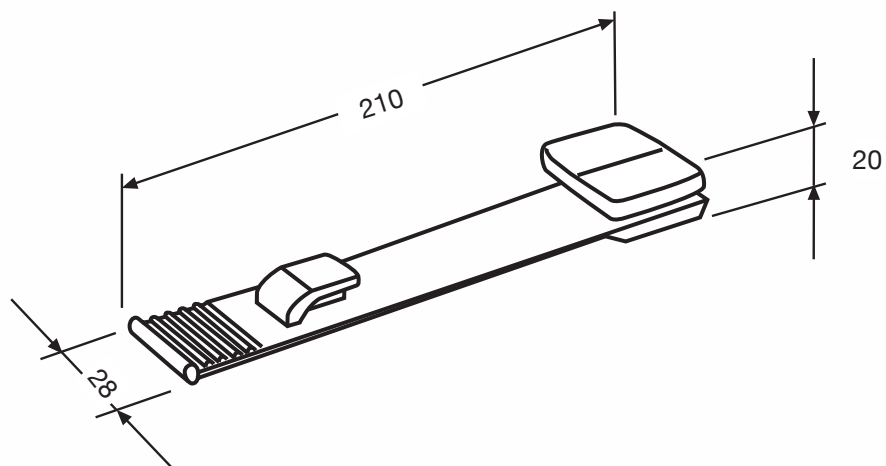
**240/535**  
O.E.: 42559051  
weight kg.: 0,050  
color: grey



**XF0/517**  
O.E.: 42559053  
peso kg.: 0,117  
colore: zincata

**XF0/517**  
O.E.: 42559053  
weight kg.: 0,117  
color: galvanized

## parafanghi posteriori rear mudguards



Adattabile a: **Iveco**  
Suitable to: **Iveco**

**Eurotech**

adattabile a | adaptable to:

**Eurostar**

**AD-AT - AS Stralis**

- **Materiale:** EPDM
- **Material:** EPDM

**240/312**

O.E.: 3798110

destro

peso kg.: 0,350

colore: nero

**240/312**

O.E.: 3798110

RH

weight kg.: 0,350

color: black



**240/313**

O.E.: 3798109

sinistro

peso kg.: 0,350

colore: nero

**240/313**

O.E.: 3798109

LH

weight kg.: 0,350

color: black

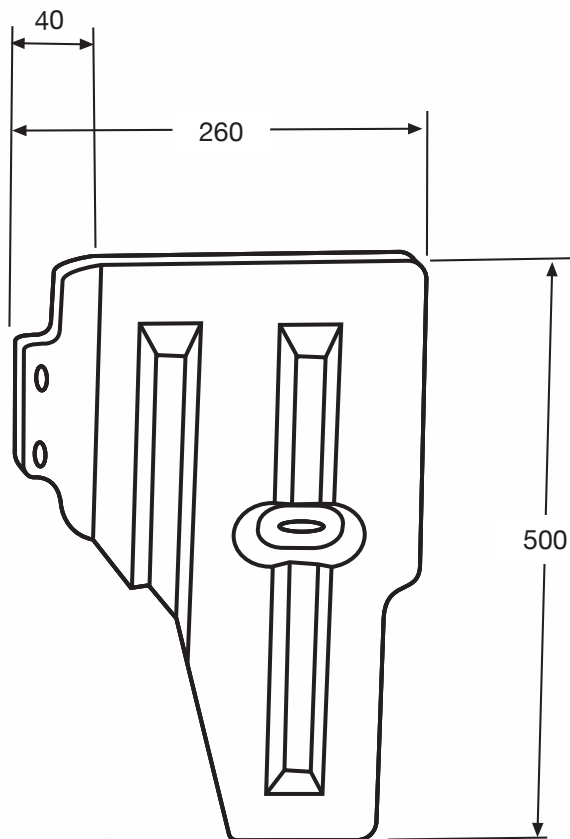




Adattabile a: **Iveco**  
Suitable to:

## Eurotrakker

- **Materiale:** ABS
- **Material:** ABS



Il disegno tecnico rappresenta entrambi i particolari in quanto speculari e con le stesse dimensioni.  
Same technical drawing is used to represent both items. These components are specular and with the same dimensions.

**192/316**

O.E.: 42342627

destro

peso kg.: 1,100

colore: nero

**192/316**

O.E.: 42342627

RH

weight kg.: 1,100

color: black



**192/317**

O.E.: 42342626

sinistro

peso kg.: 0,940

colore: nero

**192/317**

O.E.: 42342626

LH

weight kg.: 0,940

color: black



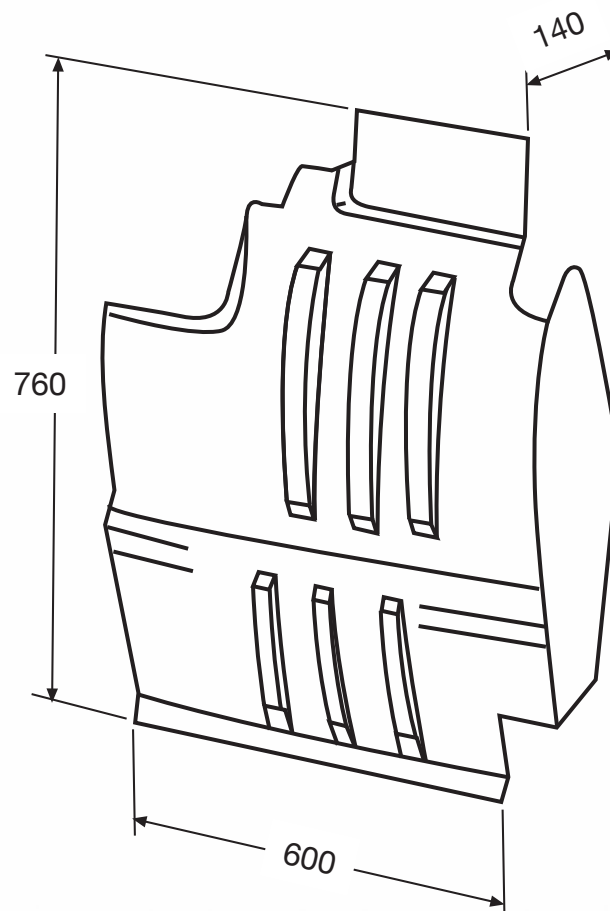




Adattabile a: **Fiat-Iveco**  
Suitable to:

## Turbostar

- **Materiale:** ABS
- **Material:** ABS



Il disegno tecnico rappresenta entrambi i particolari in quanto speculari e con le stesse dimensioni.  
Same technical drawing is used to represent both items. These components are specular and with the same dimensions.

**194/320**

O.E.: 42348216

destro

peso kg.: 5,000

colore: nero

**194/320**

O.E.: 42348216

RH

weight kg.: 5,000

color: black



**194/321**

O.E.: 42348215

sinistro

peso kg.: 5,000

colore: nero

**194/321**

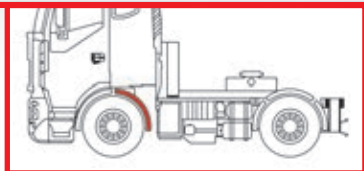
O.E.: 42348215

LH

weight kg.: 5,000

color: black

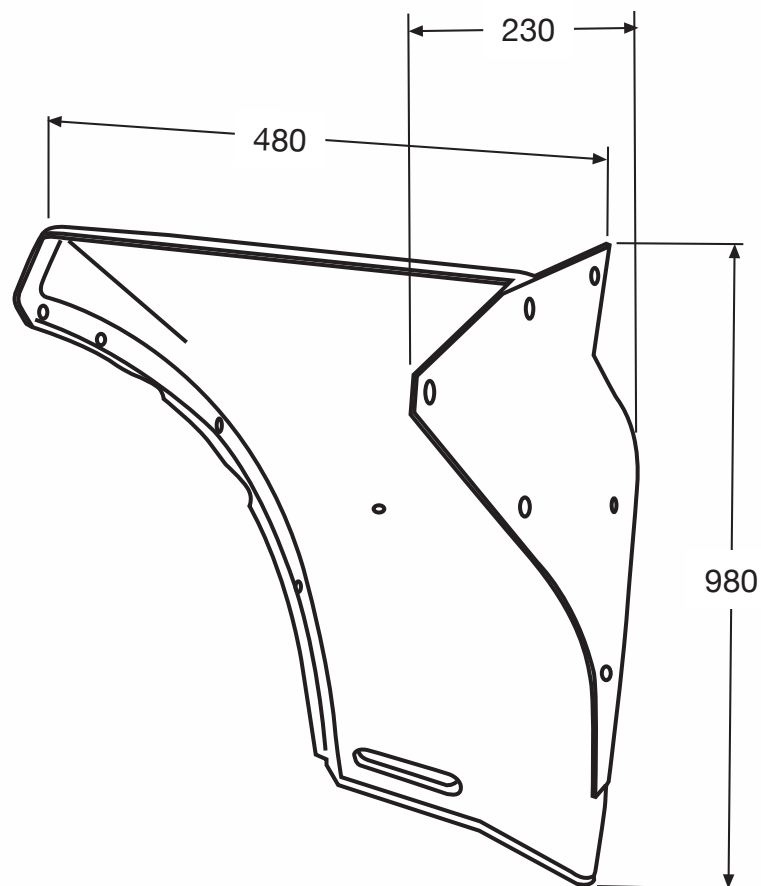




Adattabile a: **Fiat-Iveco**  
Suitable to: **Fiat-Iveco**

## Turbostar seconda serie | second series

- **Materiale:** Lamiera
- **Material:** Sheet



Il disegno tecnico rappresenta entrambi i particolari in quanto speculari e con le stesse dimensioni.  
Same technical drawing is used to represent both items. These components are specular and with the same dimensions.

**192/324**

O.E.: 42341950

destro

peso kg.: 1,210

colore: nero

**192/324**

O.E.: 42341950

RH

weight kg.: 1,210

color: black



**190/323**

O.E.: 4750897

sinistro

peso kg.: 1,300

colore: nero

**190/323**

O.E.: 4750897

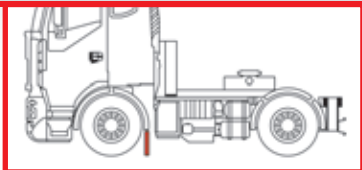
LH

weight kg.: 1,300

color: black



# paraspruzzi anti-spray



Adattabile a: **Fiat-Iveco**  
Suitable to:

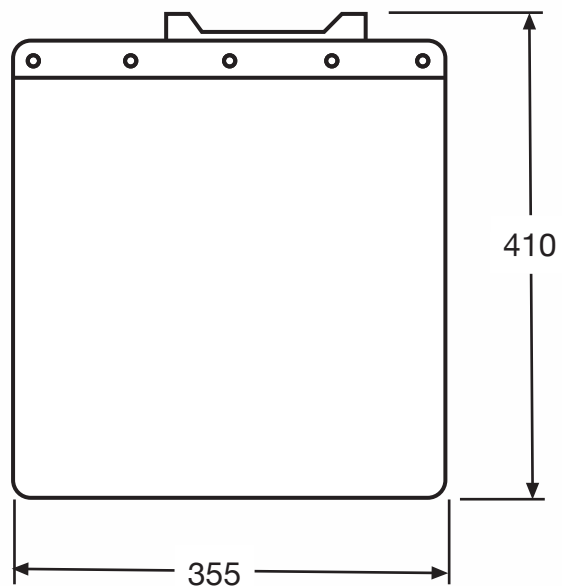
**Turbostar**

adattabile a | adaptable to:

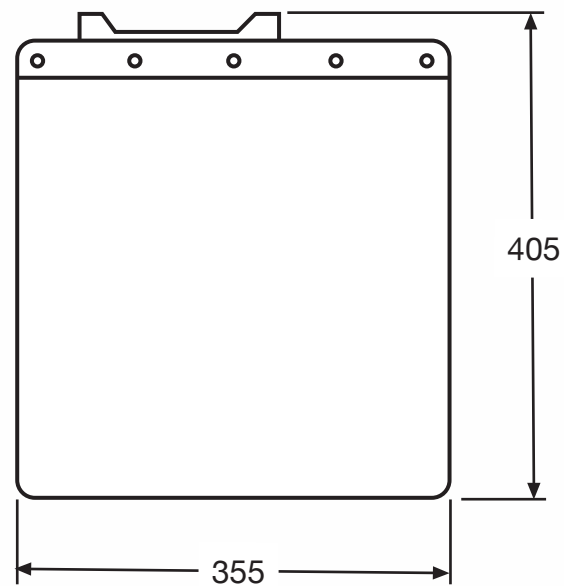
**Turbotech**

**Fiat OM 190 T-Range**

**192/324**



**190/323**



- **Materiale:** EPDM
- **Material:** EPDM



● **192/520**      **192/520**  
● O.E.: 4816035      O.E.: 4816035  
● destro|sinistro      RH|LH  
● peso kg.: 6,750      weight kg.: 6,750  
● colore: nero      color: black  
● CIRCOLARE      CIRCULAR  
●  
●  
●



**192/519**      **192/519**  
O.E.: 4816244      O.E.: 4816244  
destro|sinistro      RH|LH  
peso kg.: 6,250      weight kg.: 6,250  
colore: nero      color: black  
CON CINGHIETTI      WITH STRETCHERS

**192/518**      **192/518**  
O.E.: 4816243      O.E.: 4816243  
destro|sinistro      RH|LH  
peso kg.: 5,900      weight kg.: 5,900  
colore: nero      color: black  
CON CINGHIETTI      WITH STRETCHERS

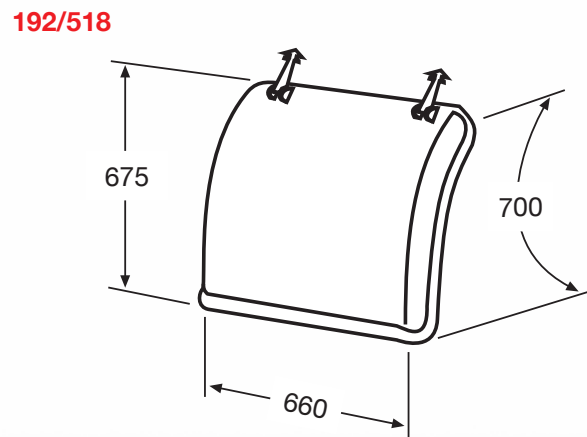
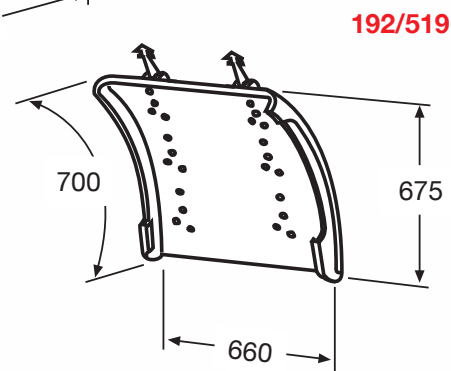
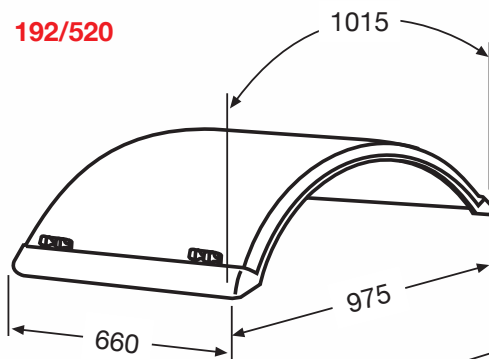
# parafanghi posteriori rear mudguards



Adattabile a: **Fiat-Iveco**  
Suitable to:

**Turbostar**  
adattabile a | adaptable to:  
**Turbotech**  
**Fiat 190**

- **Materiale:** PP+EPDM
- **Material:** PP+EPDM



**190/322**

O.E.: 4750846

destro

peso kg.: 1,500

colore: nero

**190/322**

O.E.: 4750846

RH

weight kg.: 1,500

color: black



**190/323**

O.E.: 4750897

sinistro

peso kg.: 1,300

colore: nero

**190/323**

O.E.: 4750897

LH

weight kg.: 1,300

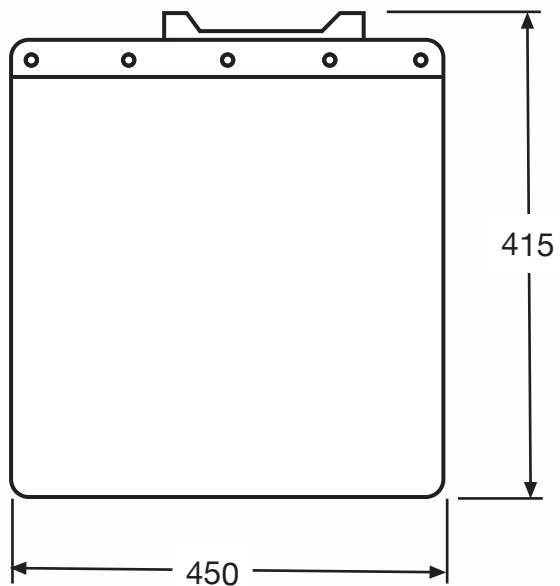
color: black



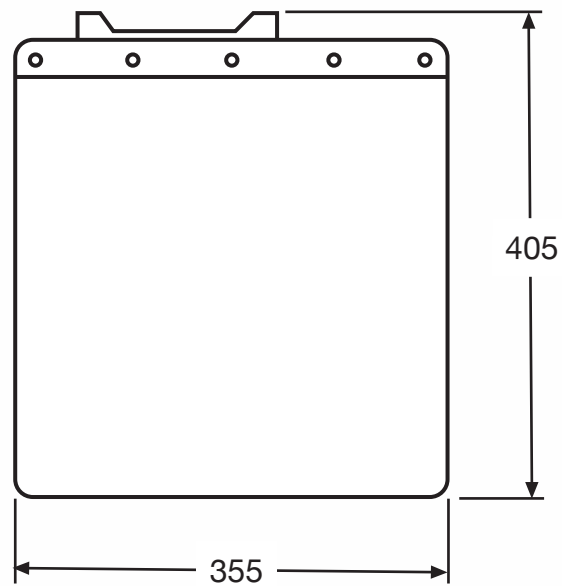
# paraspruzzi anti-spray



190/322



190/323



Adattabile a: **Fiat-Iveco**  
Suitable to:

**Turbotech**

adattabile a | adaptable to:

**Turbostar**

**Fiat 190**

**Fiat OM 190 T-Range**

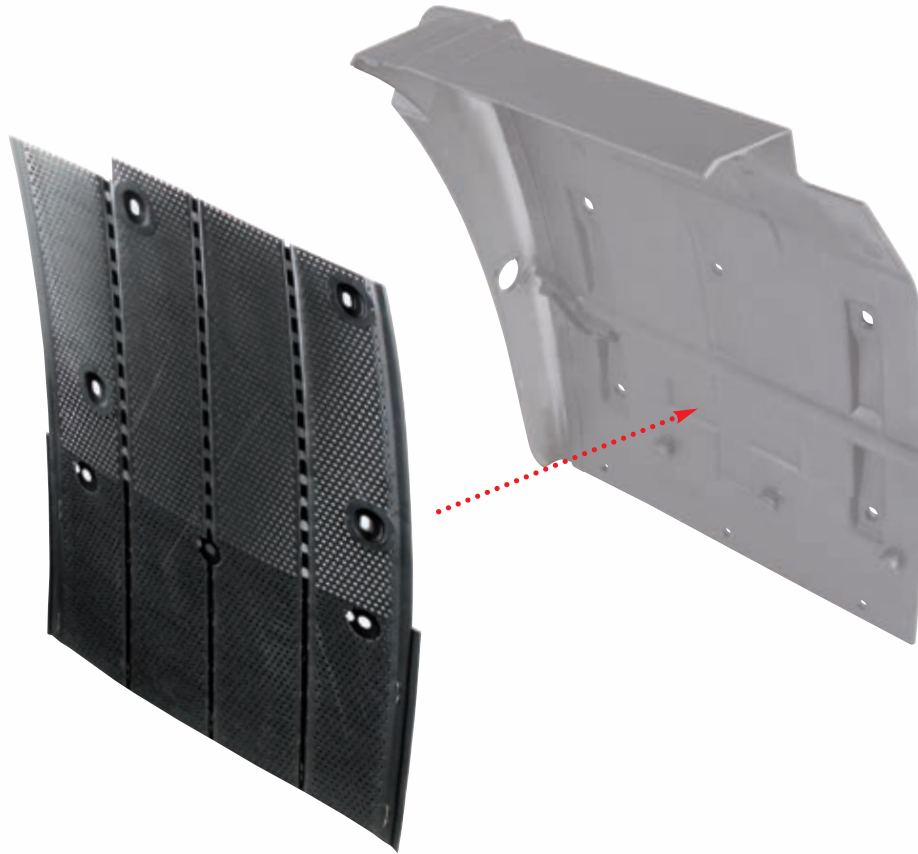
- **Materiale:** EPDM
- **Material:** EPDM

**095/328**

O.E.: 504188728  
destro  
peso kg.: 1,130  
colore: nero

**095/328**

O.E.: 504188728  
RH  
weight kg.: 1,130  
color: black





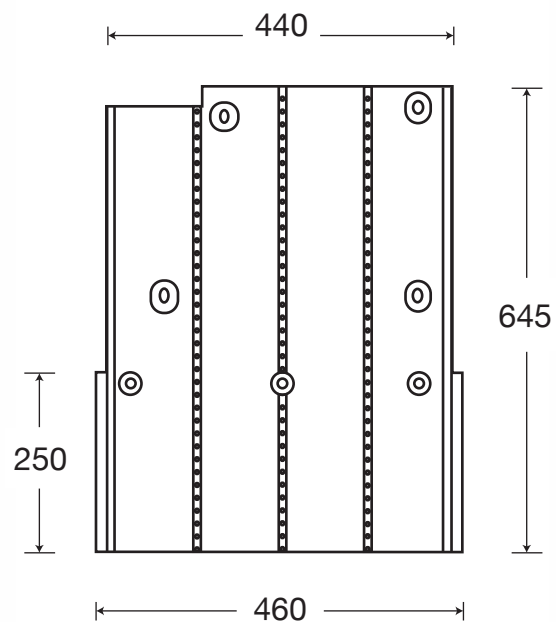
# riparifango mud protection



Adattabile a: **Iveco**  
Suitable to: **Iveco**

**95 Eurocargo 2008**  
adattabile a | adaptable to:  
**135 Eurocargo 2008**

- **Materiale:** PE+PVAC
- **Material:** PE+PVAC



**125/320**

O.E.: 504055136

destro

peso kg.: 3,600

colore: grigio

**125/320**

O.E.: 504055136

RH

weight kg.: 3,600

color: grey



**125/321**

O.E.: 504055137

sinistro

peso kg.: 3,530

colore: grigio

**125/321**

O.E.: 504055137

LH

weight kg.: 3,530

color: grey

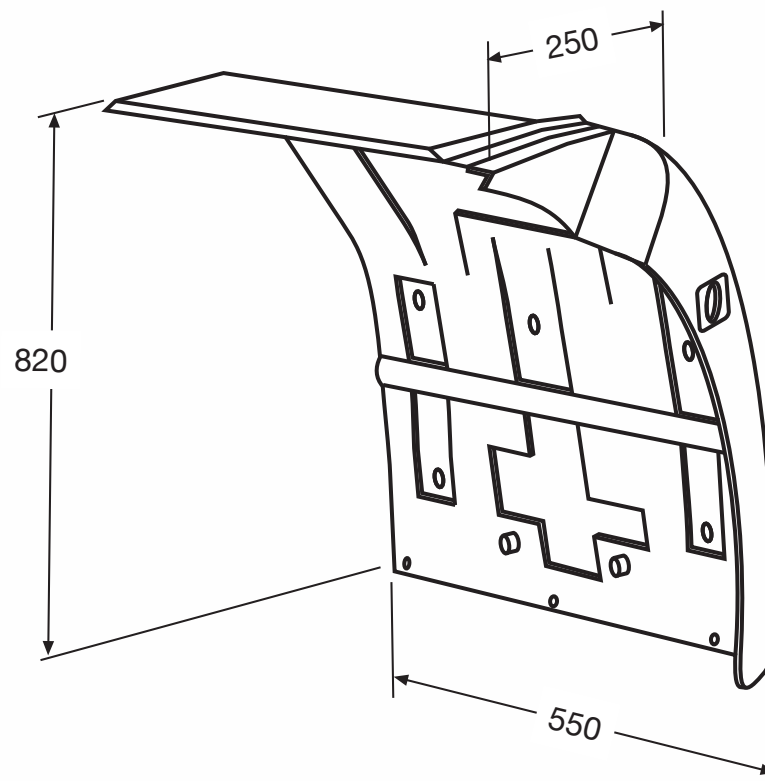




Adattabile a: **Iveco**  
Suitable to: **Iveco**

## Tector Restyling 125

- **Materiale:** SMC
- **Material:** SMC



**125/324**

O.E.: 504027532

destro

peso kg.: 4,525

colore: grigio

CON ALETTA

**125/324**

O.E.: 504027532

RH

weight kg.: 4,525

color: grey

WITH FLAP



**125/325**

O.E.: 504027533

sinistro

peso kg.: 4,595

colore: grigio

CON ALETTA

**125/325**

O.E.: 504027533

LH

weight kg.: 4,595

color: grey

WITH FLAP

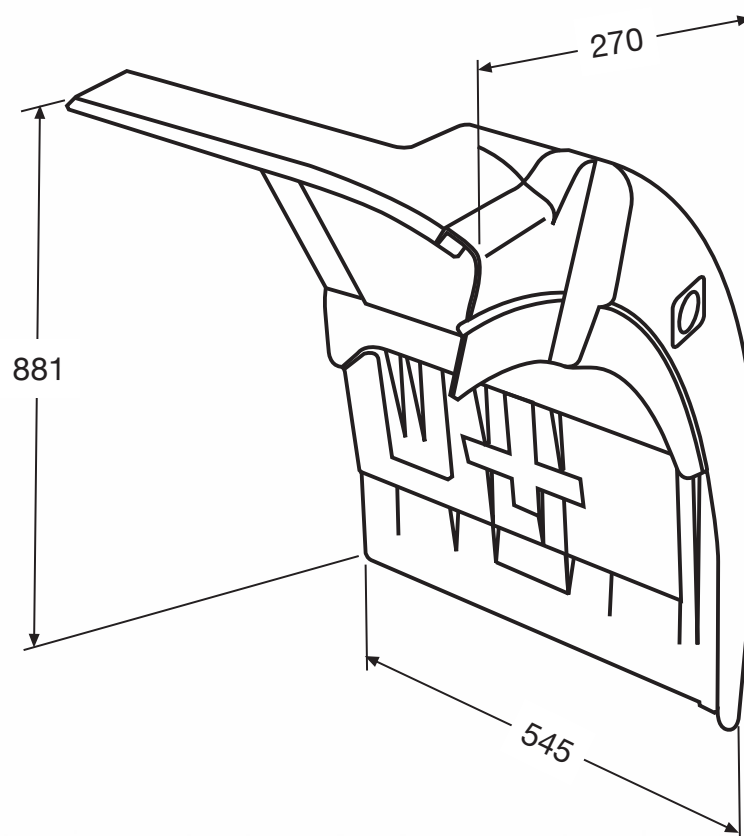




Adattabile a: **Iveco**  
Suitable to: **Iveco**

## Tector Restyling 125

- **Materiale:** SMC
- **Material:** SMC



Il disegno tecnico rappresenta entrambi i particolari in quanto speculari e con le stesse dimensioni.  
Same technical drawing is used to represent both items. These components are specular and with the same dimensions.



**075/320**

O.E.: 504055092

destro

peso kg.: 2,000

colore: grigio

**075/320**

O.E.: 504055092

RH

weight kg.: 2,000

color: grey



**075/321**

O.E.: 504055093

sinistro

peso kg.: 2,320

colore: grigio

**075/321**

O.E.: 504055093

LH

weight kg.: 2,320

color: grey

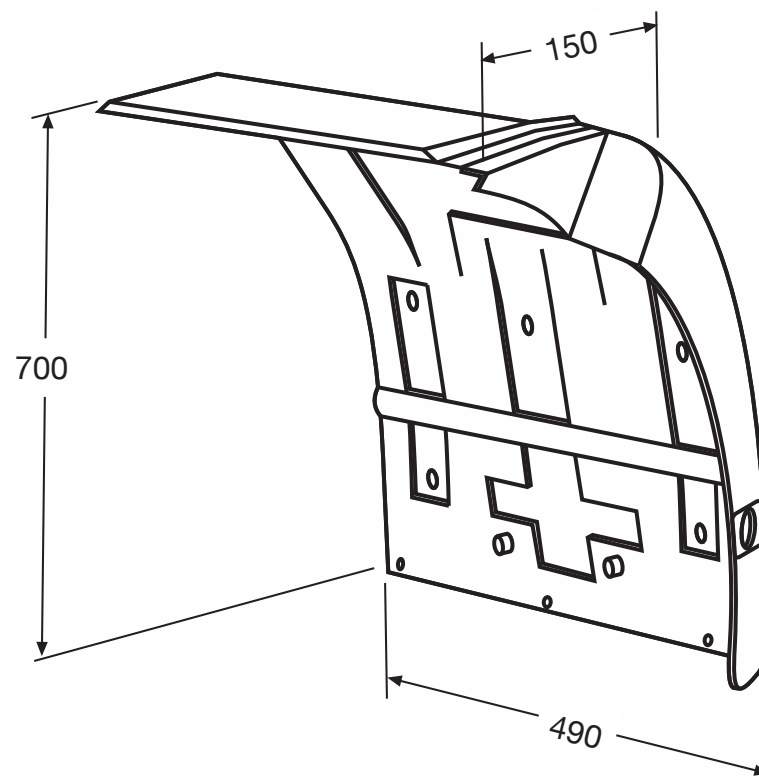




Adattabile a: **Iveco**  
Suitable to: **Iveco**

## Tector Restyling 75

- **Materiale:** SMC
- **Materiale:** SMC



Il disegno tecnico rappresenta entrambi i particolari in quanto speculari e con le stesse dimensioni.  
Same technical drawing is used to represent both items. These components are specular and with the same dimensions.

**075/324**

O.E.: 504027536  
destro  
peso kg.: 2,000  
colore: grigio  
CON ALETTA

**075/324**

O.E.: 504027536  
RH  
weight kg.: 2,000  
color: grey  
WITH FLAP



**075/325**

O.E.: 504027537  
sinistro  
peso kg.: 2,000  
colore: grigio  
CON ALETTA

**075/325**

O.E.: 504027537  
LH  
weight kg.: 2,000  
color: grey  
WITH FLAP

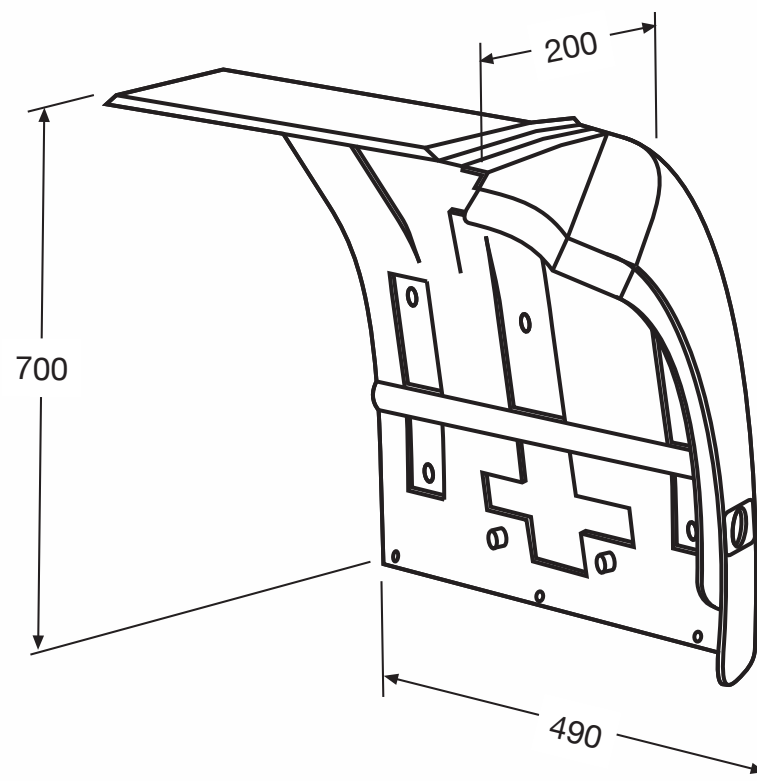




Adattabile a: **Iveco**  
Suitable to: **Iveco**

## Tector Restyling 75

- **Materiale:** SMC
- **Material:** SMC



Il disegno tecnico rappresenta entrambi i particolari in quanto speculari e con le stesse dimensioni.  
Same technical drawing is used to represent both items. These components are specular and with the same dimensions.

**150/321**

O.E.: 8142634

sinistro

peso kg.: 3,520

colore: grigio chiaro

**150/321**

O.E.: 8142634

LH

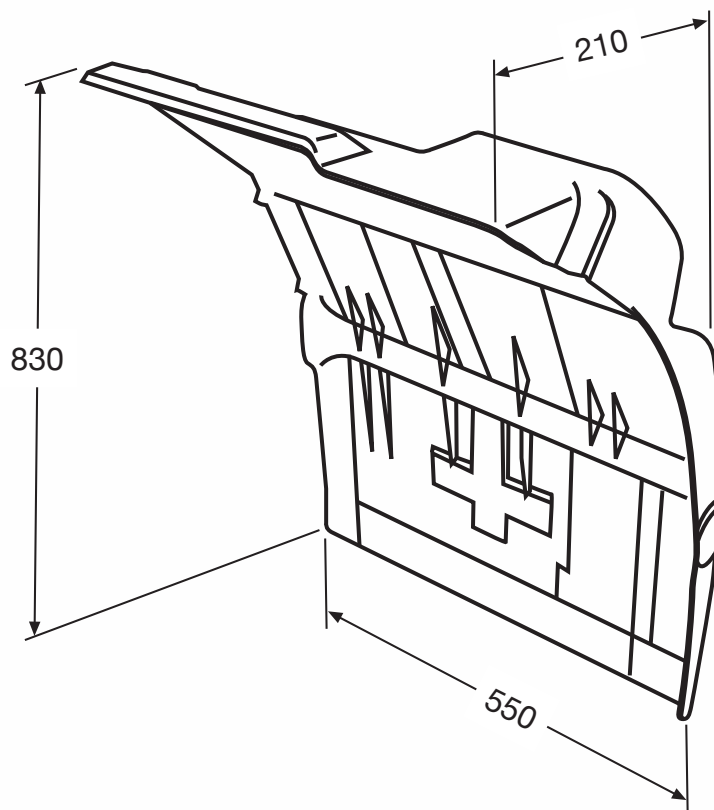
weight kg.: 3,520

color: light grey





# riparifango mud protection



Adattabile a: **Iveco**  
Suitable to: **Iveco**

**Eurocargo 150**

adattabile a | adaptable to:

**Eurocargo 120**

- **Materiale: SMC**
- **Material: SMC**

**120/320**

O.E.: 8142630

destro

peso kg.: 3,600

colore: grigio chiaro

**120/320**

O.E.: 8142630

RH

weight kg.: 3,600

color: light grey



**120/321**

O.E.: 8142629

sinistro

peso kg.: 3,530

colore: grigio chiaro

**120/321**

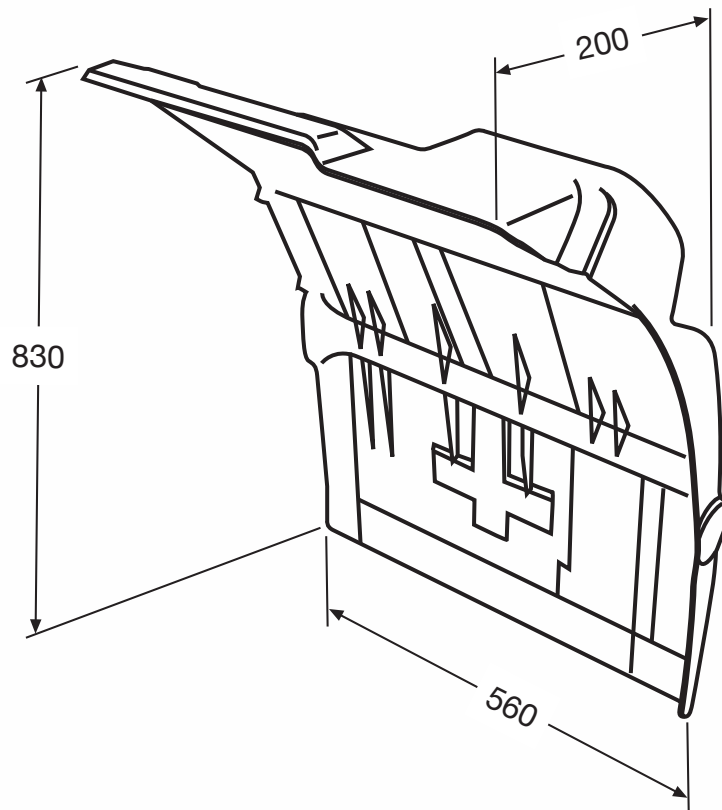
O.E.: 8142629

LH

weight kg.: 3,530

color: light grey





Adattabile a: **Iveco**  
Suitable to: **Iveco**

**Eurocargo 120**

adattabile a | adaptable to:

**Eurocargo 150**

- **Materiale: SMC**
- **Material: SMC**

**120/326**

O.E.: 500318338

destro

peso kg.: 3,020

colore: grigio scuro

**120/326**

O.E.: 500318338

RH

weight kg.: 3,020

color: dark grey



**120/327**

O.E.: 500318293

sinistro

peso kg.: 2,970

colore: grigio scuro

**120/327**

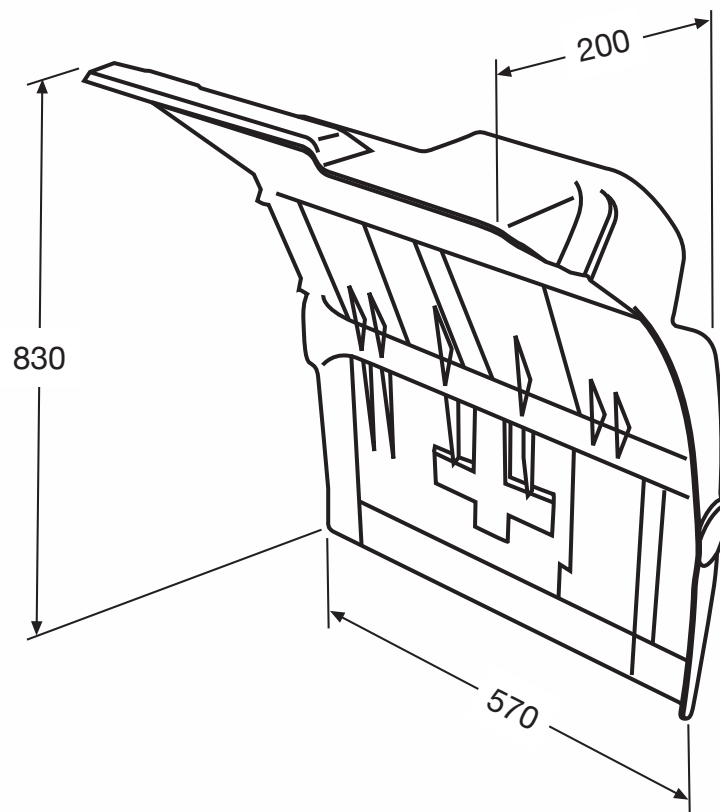
O.E.: 500318293

LH

weight kg.: 2,970

color: dark grey





Adattabile a: **Iveco**  
Suitable to: **Iveco**

**Eurocargo 120**

adattabile a | adaptable to:

**Eurocargo 150**

- **Materiale: SMC**
- **Material: SMC**



**060/320**

O.E.: 8142621

destro

peso kg.: 1,350

colore: grigio chiaro

**060/320**

O.E.: 8142621

RH

weight kg.: 1,350

color: light grey



**060/321**

O.E.: 8142626

sinistro

peso kg.: 2,320

colore: grigio chiaro

**060/321**

O.E.: 8142626

LH

weight kg.: 2,320

color: light grey

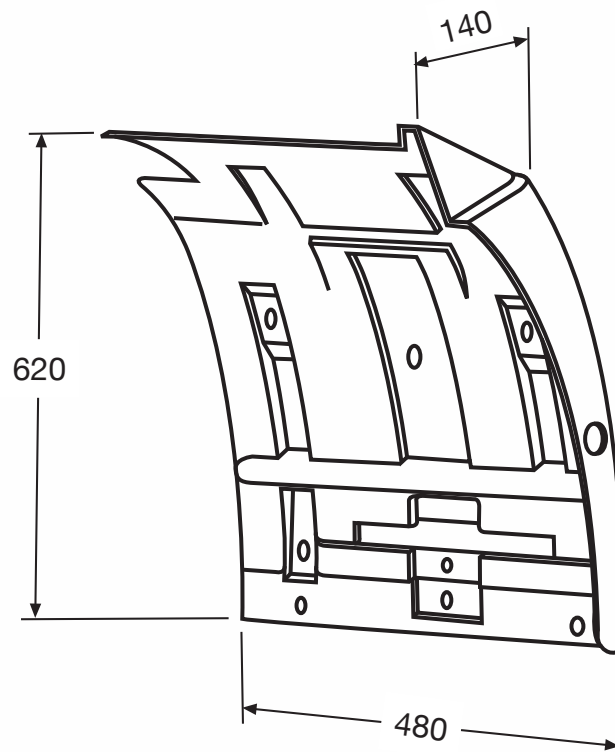




Adattabile a: **Iveco**  
Suitable to:

## Eurocargo 60

- **Materiale:** SMC
- **Material:** SMC



Il disegno tecnico rappresenta entrambi i particolari in quanto speculari e con le stesse dimensioni.  
Same technical drawing is used to represent both items. These components are specular and with the same dimensions.

**060/324**

O.E.: 500318341

destro

peso kg.: 1,350

colore: grigio scuro

**060/324**

O.E.: 500318341

RH

weight kg.: 1,350

color: dark grey



**060/325**

O.E.: 500318345

sinistro

peso kg.: 1,350

colore: grigio scuro

**060/325**

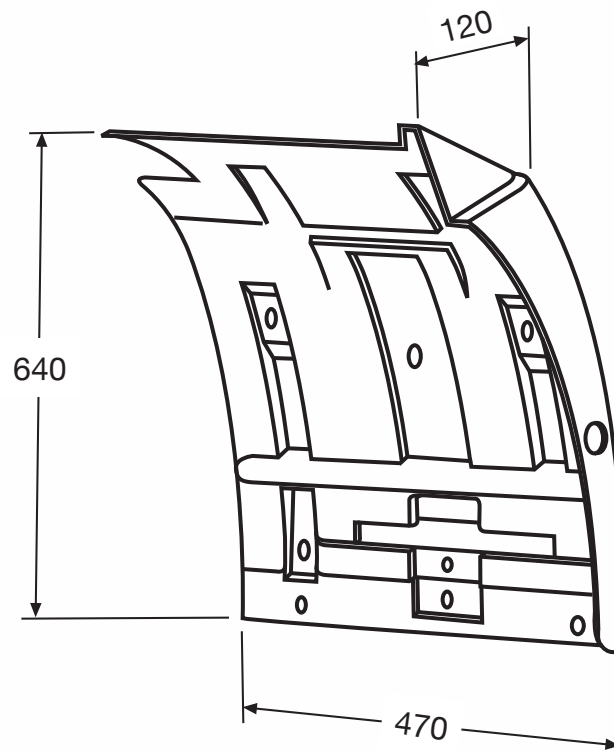
O.E.: 500318345

LH

weight kg.: 1,350

color: dark grey





Adattabile a: **Iveco**  
Suitable to: **Iveco**

**Eurocargo 60**

adattabile a | adaptable to:

**Eurocargo 120**

- **Materiale: SMC**
- **Material: SMC**

**950/300**

O.E.: 98427570  
destro|sinistro  
peso kg.: 0,910  
colore: nero

**950/300**

O.E.: 98427570  
RH|LH  
weight kg.: 0,910  
color: black





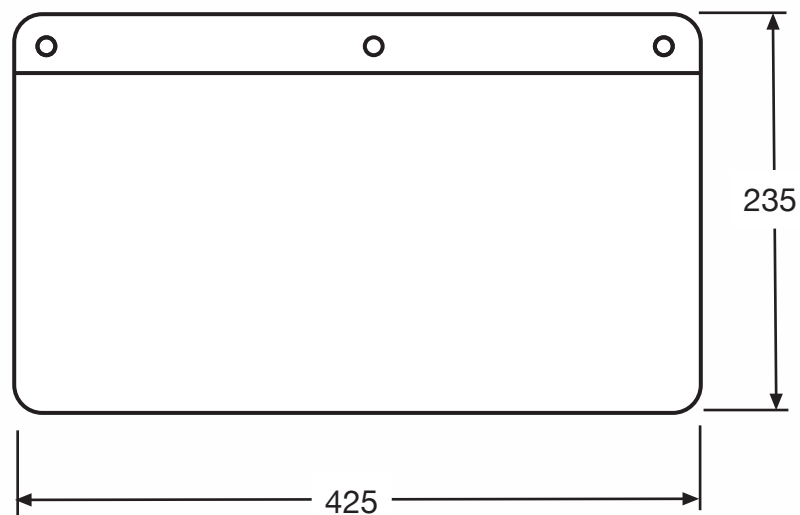
# paraspruzzi anti-spray



Adattabile a: **Iveco**  
Suitable to: **Iveco**

**Eurocargo**  
adattabile a | adaptable to:  
**Tector restyling**

- **Materiale:** EPDM
- **Material:** EPDM



**950/350**

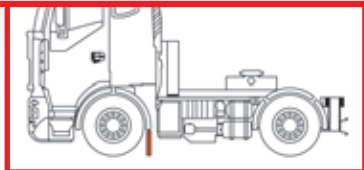
O.E.: 98439302  
destro|sinistro  
peso kg.: 1,200  
colore: nero

**950/350**

O.E.: 98439302  
RH|LH  
weight kg.: 1,200  
color: black



# paraspruzzi anti-spray



Adattabile a: **Iveco**  
Suitable to: **Iveco**

## Eurocargo

- **Materiale:** EPDM
- **Material:** EPDM



**079/318**

O.E.: 9062678

destro

peso kg.: 0,200

colore: nero

**079/318**

O.E.: 9062678

RH

weight kg.: 0,200

color: black



**079/319**

O.E.: 9062679

sinistro

peso kg.: 0,200

colore: nero

**079/319**

O.E.: 9062679

LH

weight kg.: 0,200

color: black

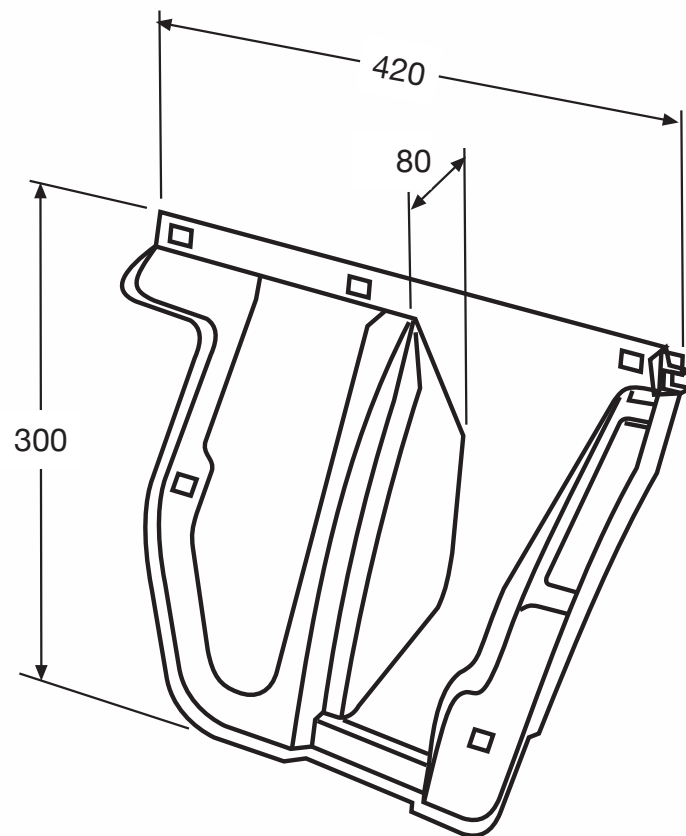




Adattabile a: **Fiat-Iveco**  
Suitable to:

## Gamma Zeta

- **Materiale:** ABS
- **Material:** ABS



Il disegno tecnico rappresenta entrambi i particolari in quanto speculari e con le stesse dimensioni.  
Same technical drawing is used to represent both items. These components are specular and with the same dimensions.



**950/200**

O.E.: 9069445

destro

peso kg.: 1,700

colore: nero

**950/200**

O.E.: 9069445

RH

weight kg.: 1,700

color: black



**950/201**

O.E.: 9069446

sinistro

peso kg.: 1,700

colore: nero

**950/201**

O.E.: 9069446

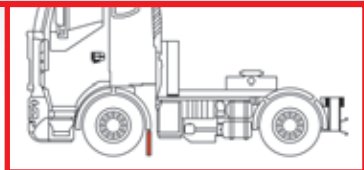
LH

weight kg.: 1,700

color: black



# paraspruzzi anti-spray

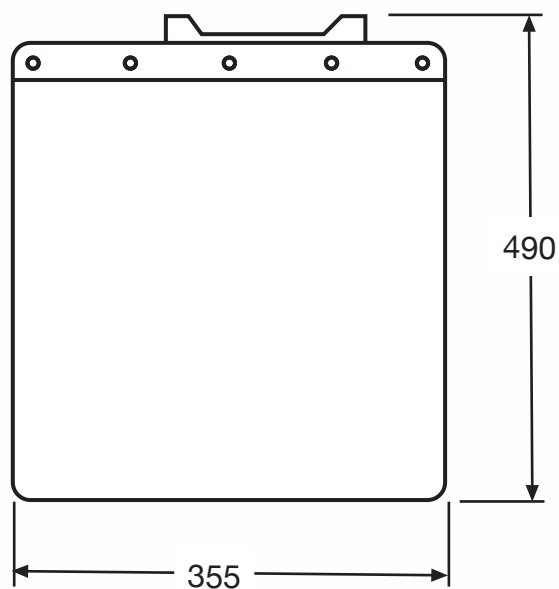


Adattabile a: **Fiat-Iveco**  
Suitable to:

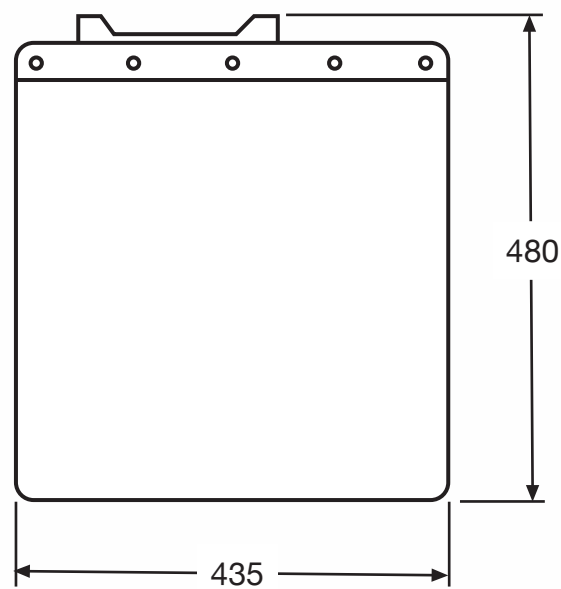
## Gamma Zeta

- **Materiale:** EPDM
- **Material:** EPDM

950/200



950/201



**040/320**

O.E.: 9051239

destro

peso kg.: 1,720

colore: nero

**040/320**

O.E.: 9051239

RH

weight kg.: 1,720

color: black



**040/321**

O.E.: 9051240

sinistro

peso kg.: 1,720

colore: nero

**040/321**

O.E.: 9051240

LH

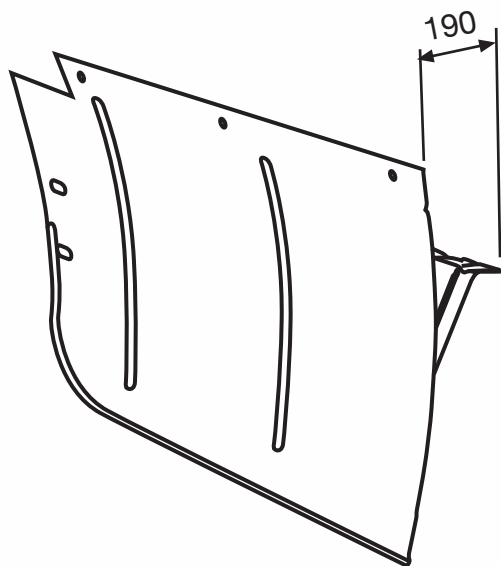
weight kg.: 1,720

color: black

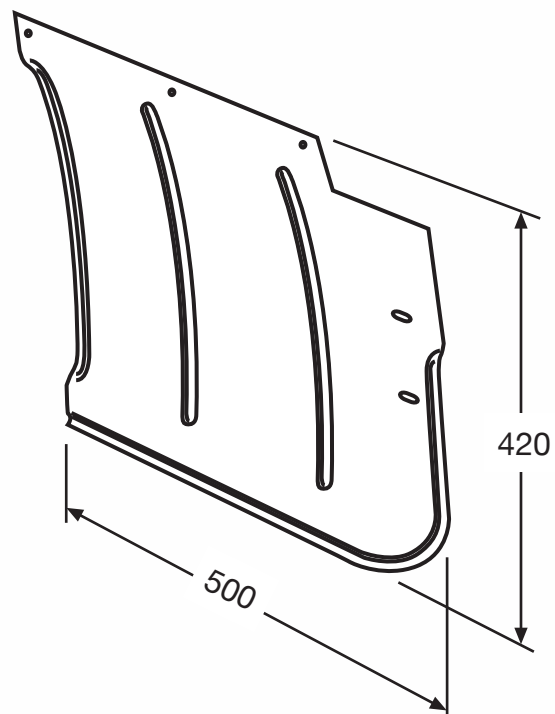




040/320



040/321



Adattabile a: **Fiat-Iveco**  
Suitable to:

**OM 40**

- **Materiale:** Lamiera
- **Material:** Sheet

**190/320**

O.E.: 42344427

destro

peso kg.: 5,000

colore: nero  
(ESAUrito)

**190/320**

O.E.: 42344427

RH

weight kg.: 5,000

color: black  
(EXHAUST)



**190/321**

O.E.: 42344425

sinistro

peso kg.: 5,000

colore: nero

**190/321**

O.E.: 42344425

LH

weight kg.: 5,000

color: black







Adattabile a: **Fiat-Iveco**  
Suitable to:

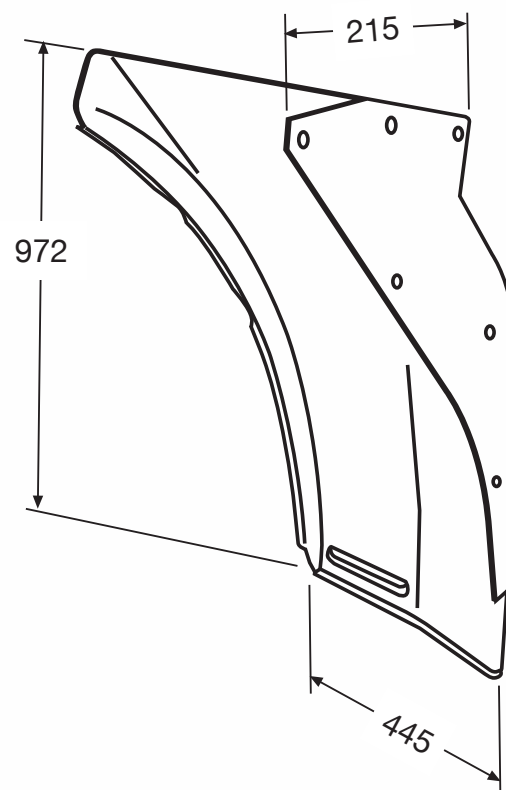
**OM 190**

adattabile a | adaptable to:

Turbotech

Turbostar

- **Materiale:** Lamiera
- **Material:** Sheet



**175/320**

O.E.: 4805836

destro

peso kg.: 3,700

colore: grigio

**175/320**

O.E.: 4805836

RH

weight kg.: 3,700

color: grey

**175/321**

O.E.: 4805839

sinistro

peso kg.: 2,700

colore: grigio

**175/321**

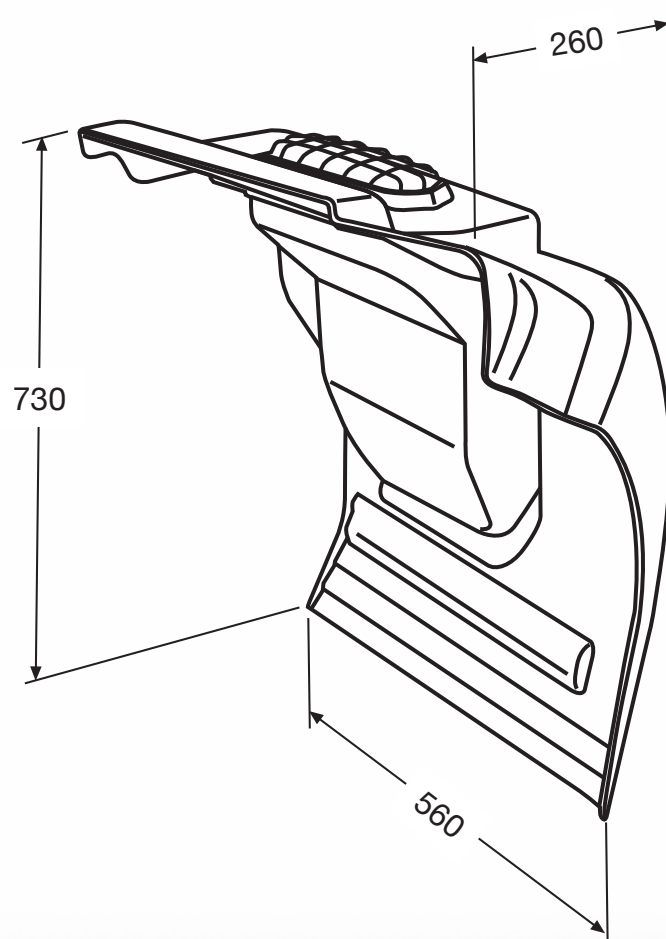
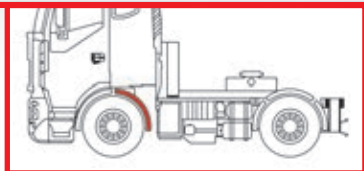
O.E.: 4805839

LH

weight kg.: 2,700

color: grey





Adattabile a: **Fiat-Iveco**  
Suitable to:

## OM 165 seconda serie | second series

- **Materiale: SMC**
- **Material: SMC**

Il disegno tecnico rappresenta entrambi i particolari in quanto speculari e con le stesse dimensioni.  
Same technical drawing is used to represent both items. These components are specular and with the same dimensions.

**130/ 66**

O.E.: 61599878

destro

peso kg.: 0,435

colore: grigio

**130/ 66**

O.E.: 61599878

RH

weight kg.: 0,435

color: grey



**130/ 67**

O.E.: 61599879

sinistro

peso kg.: 0,350

colore: grigio

**130/ 67**

O.E.: 61599879

LH

weight kg.: 0,350

color: grey



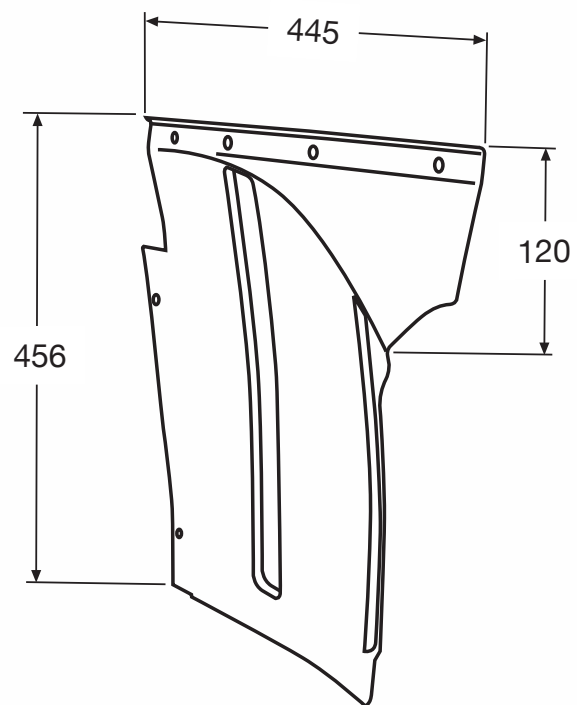
# riparifango mud protection



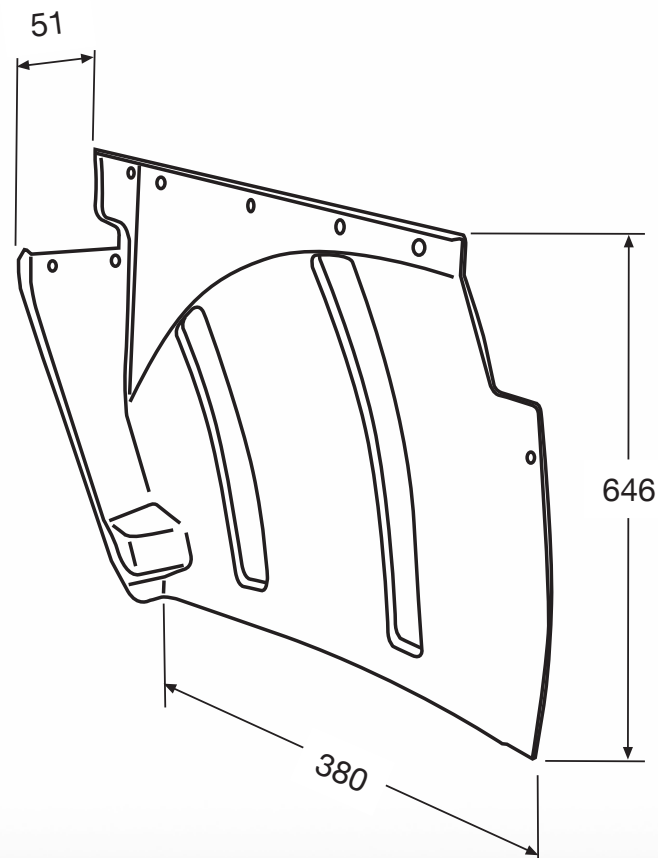
Adattabile a: **Fiat-Iveco**  
Suitable to: **Fiat-Iveco**

**130**

**130/ 66**



**130/ 67**



- **Materiale:** PP
- **Material:** PP



**130/320**

O.E.: 4674901

destro

peso kg.: 4,230

colore: rosso

**130/320**

O.E.: 4674901

RH

weight kg.: 4,230

color: red



**130/321**

O.E.: 4674902

sinistro

peso kg.: 4,380

colore: rosso

**130/321**

O.E.: 4674902

LH

weight kg.: 4,380

color: red



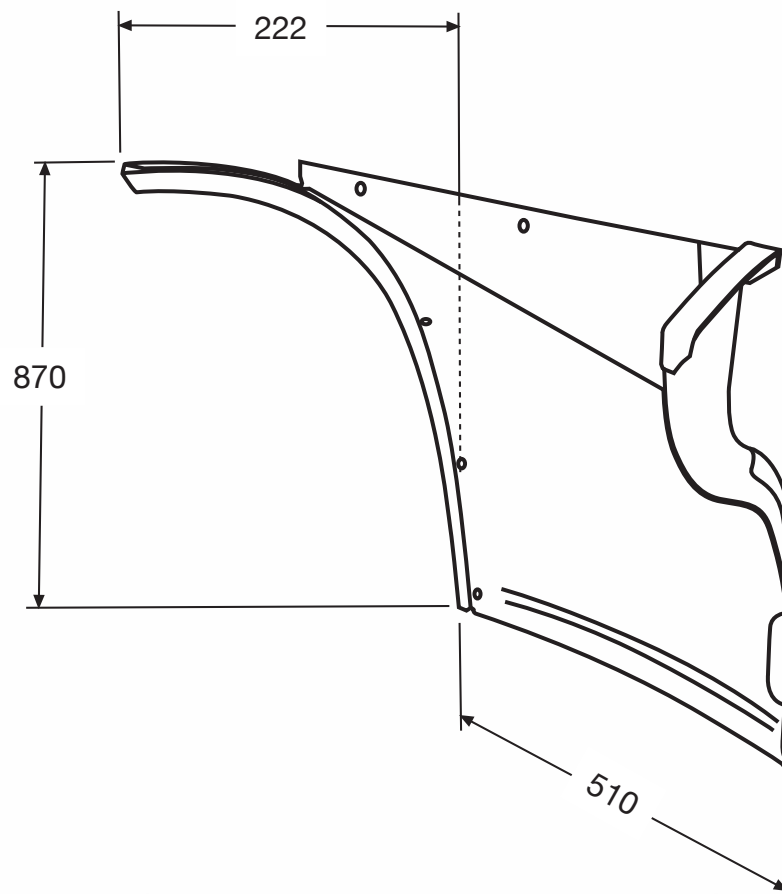
# riparifango mud protection



Adattabile a: **Fiat-Iveco**  
Suitable to: **Fiat-Iveco**

**130**

- **Materiale:** Lamiera
- **Material:** Sheet



Il disegno tecnico rappresenta entrambi i particolari in quanto speculari e con le stesse dimensioni.  
Same technical drawing is used to represent both items. These components are specular and with the same dimensions.

**130/324**

O.E.: 61590607

destro

peso kg.: 6,000

colore: nero

(ESHAURITO)

**130/324**

O.E.: 61590607

RH

weight kg.: 6,000

color: black

(EXHAUST)



**130/325**

O.E.: 61590608

sinistro

peso kg.: 6,000

colore: nero

**130/325**

O.E.: 61590608

LH

weight kg.: 6,000

color: black

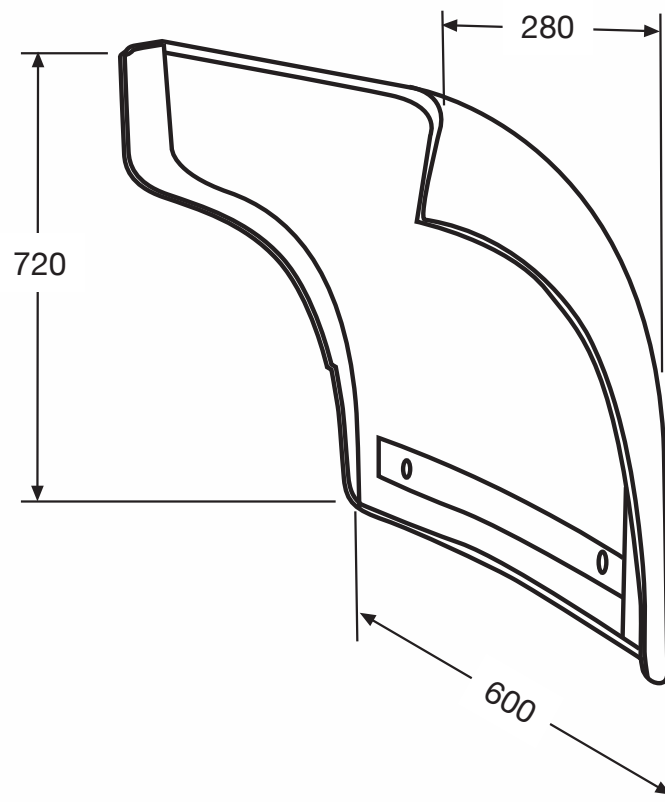




Adattabile a: **Fiat-Iveco**  
Suitable to: **Fiat-Iveco**

**130**

- **Materiale:** Lamiera
- **Material:** Sheet



Il disegno tecnico rappresenta entrambi i particolari in quanto speculari e con le stesse dimensioni.  
Same technical drawing is used to represent both items. These components are specular and with the same dimensions.

**691/328**

O.E.: 4666272

destro

peso kg.: 7,200

colore: nero

TERZA SERIE

**691/328**

O.E.: 4666272

RH

weight kg.: 7,200

color: black

THIRD SERIES





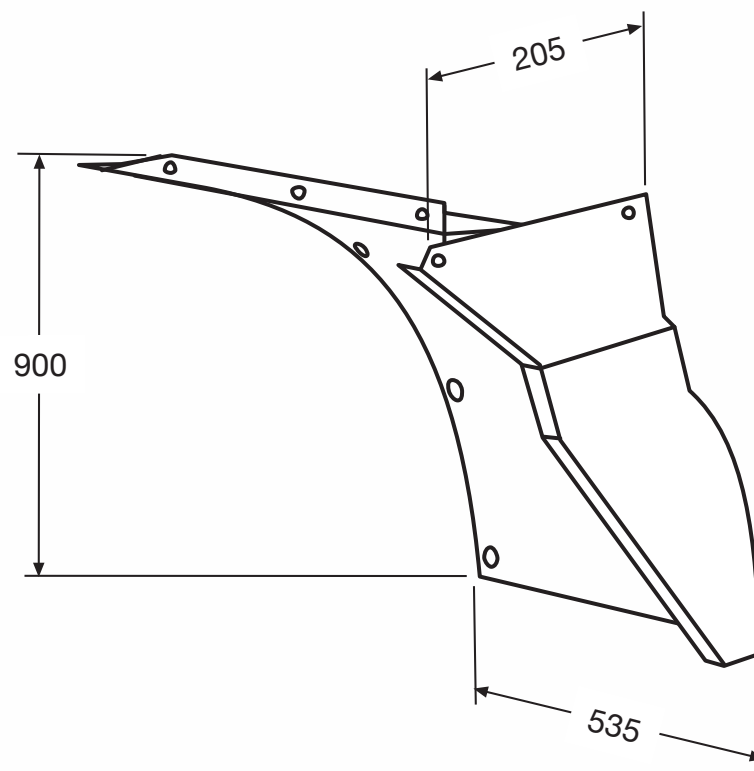
# riparifango mud protection



Adattabile a: **Fiat-Iveco**  
Suitable to:

**691**

- **Materiale:** Lamiera
- **Material:** Sheet



**684/316**

O.E.: 4688660

destro

peso kg.: 0,350

colore: nero

**684/316**

O.E.: 4688660

RH

weight kg.: 0,350

color: black



**684/317**

O.E.: -

sinistro

peso kg.: 0,350

colore: nero  
(ESBURITO)

**684/317**

O.E.: -

LH

weight kg.: 0,350

color: black  
(EXHAUST)



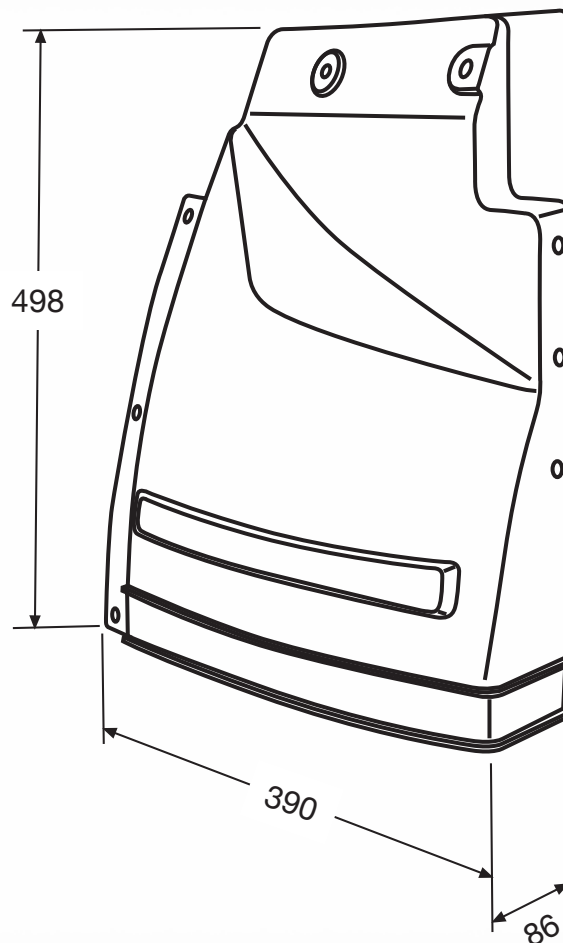
# riparifango mud protection



Adattabile a: **Fiat-Iveco**  
Suitable to: **Fiat-Iveco**

**684**

- **Materiale: PP**
- **Material: PP**



Il disegno tecnico rappresenta entrambi i particolari in quanto speculari e con le stesse dimensioni.  
Same technical drawing is used to represent both items. These components are specular and with the same dimensions.

**684/320**

O.E.: 4638890  
destro  
peso kg.: 7,000  
colore: rosso  
PRIMA SERIE

**684/320**

O.E.: 4638890  
RH  
weight kg.: 7,000  
color: red  
FIRST SERIES



**684/321**

O.E.: 4638891  
sinistro  
peso kg.: 7,000  
colore: rosso  
PRIMA SERIE

**684/321**

O.E.: 4638891  
LH  
weight kg.: 7,000  
color: red  
FIRST SERIES

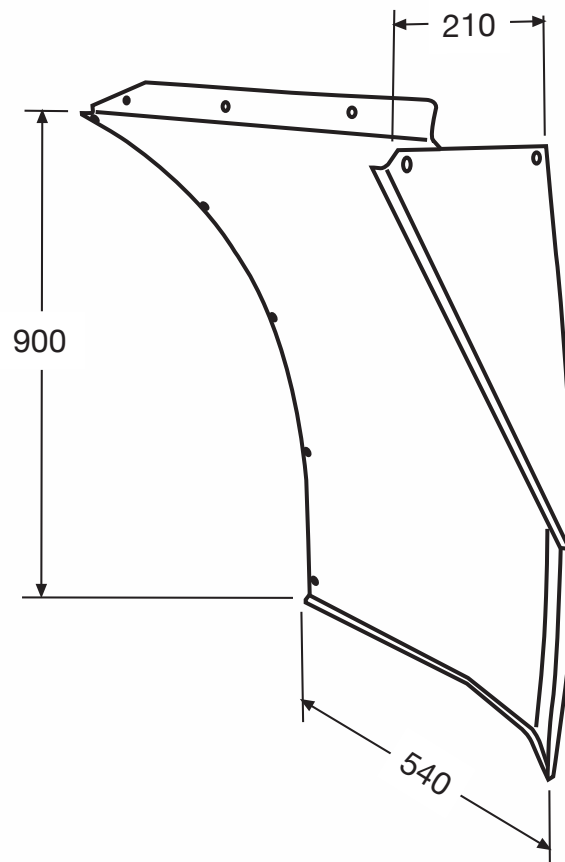




Adattabile a: **Fiat-Iveco**  
Suitable to: **Fiat-Iveco**

## 684

- **Materiale:** Lamiera
- **Material:** Sheet



Il disegno tecnico rappresenta entrambi i particolari in quanto speculari e con le stesse dimensioni.  
Same technical drawing is used to represent both items. These components are specular and with the same dimensions.



**684/324**

O.E.: 4715854

destro

peso kg.: 7,100

colore: rosso

SECONDA SERIE

**684/324**

O.E.: 4715854

RH

weight kg.: 7,100

color: red

SECOND SERIES



**684/325**

O.E.: 4715856

sinistro

peso kg.: 7,100

colore: rosso

SECONDA SERIE

**684/325**

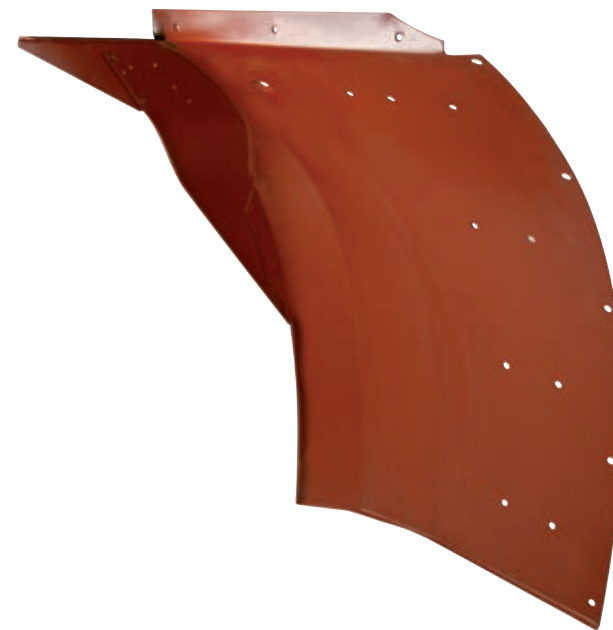
O.E.: 4715856

LH

weight kg.: 7,100

color: red

SECOND SERIES



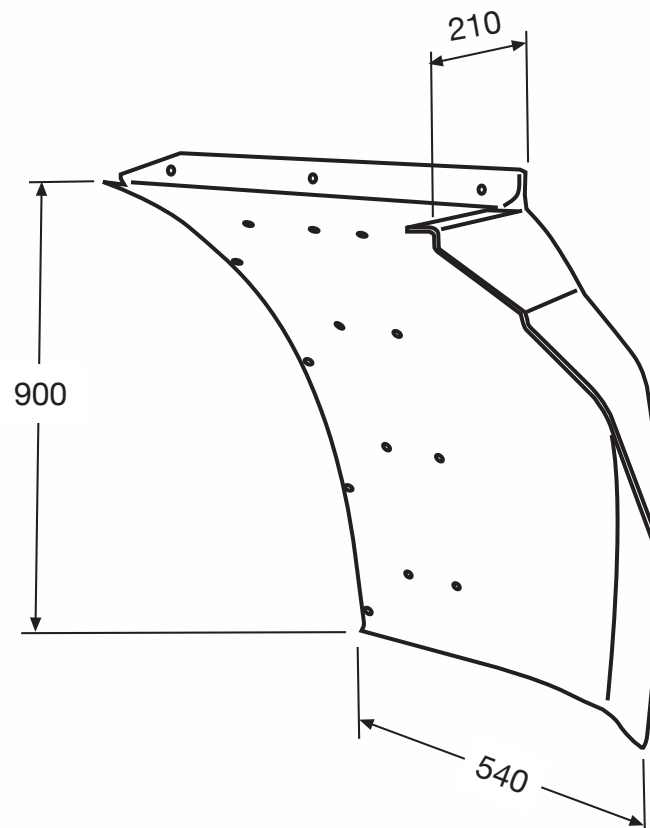
# riparifango mud protection



Adattabile a: **Fiat-Iveco**  
Suitable to:

**684**

- **Materiale:** Lamiera
- **Material:** Sheet



Il disegno tecnico rappresenta entrambi i particolari in quanto speculari e con le stesse dimensioni.  
Same technical drawing is used to represent both items. These components are specular and with the same dimensions.

**684/326**

O.E.: 4775458

destro

peso kg.: 0,900

colore: rosso

CABINA CORTA

**684/326**

O.E.: 4775458

RH

weight kg.: 0,900

color: red

SHORT CAB



**684/327**

O.E.: 4775461

sinistro

peso kg.: 0,900

colore: rosso

CABINA CORTA

**684/327**

O.E.: 4775461

LH

weight kg.: 0,900

color: red

SHORT CAB

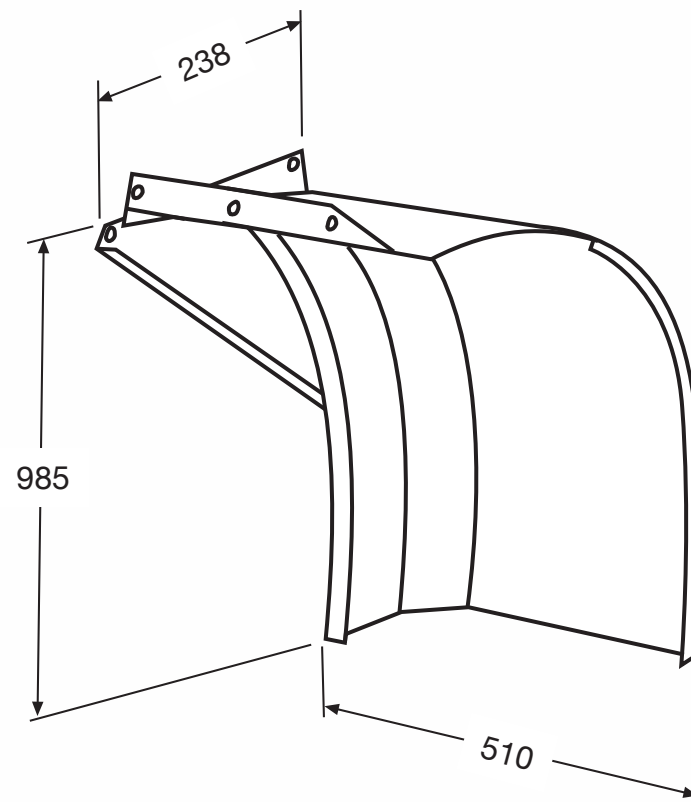




Adattabile a: **Fiat-Iveco**  
Suitable to:

## 684

- **Materiale:** Lamiera
- **Material:** Sheet



Il disegno tecnico rappresenta entrambi i particolari in quanto speculari e con le stesse dimensioni.  
Same technical drawing is used to represent both items. These components are specular and with the same dimensions.

## Guida destra Right drive

### 682/320

O.E.: 4578739

destro

peso kg.: 3,335

colore: rosso

### 682/320

O.E.: 4578739

RH

weight kg.: 3,335

color: red



### 682/321

O.E.: 4689464

sinistro

peso kg.: 2,740

colore: rosso

### 682/321

O.E.: 4689464

LH

weight kg.: 2,740

color: red





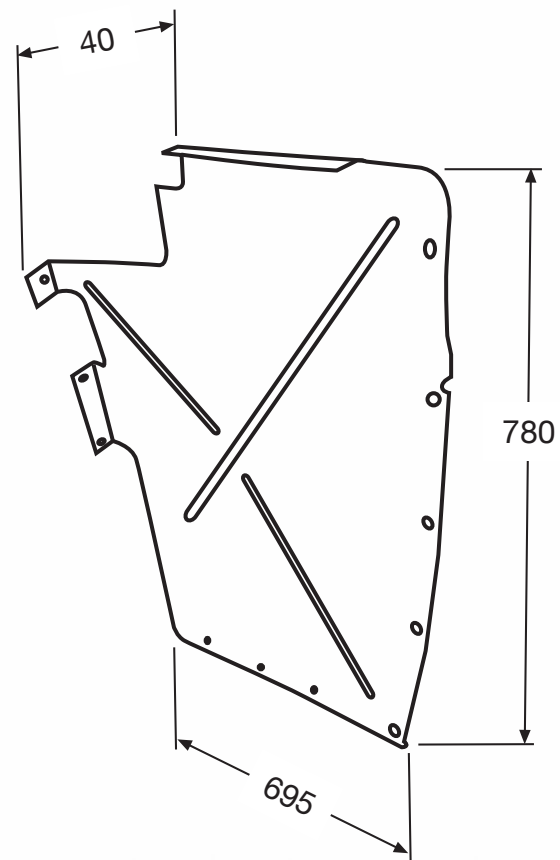
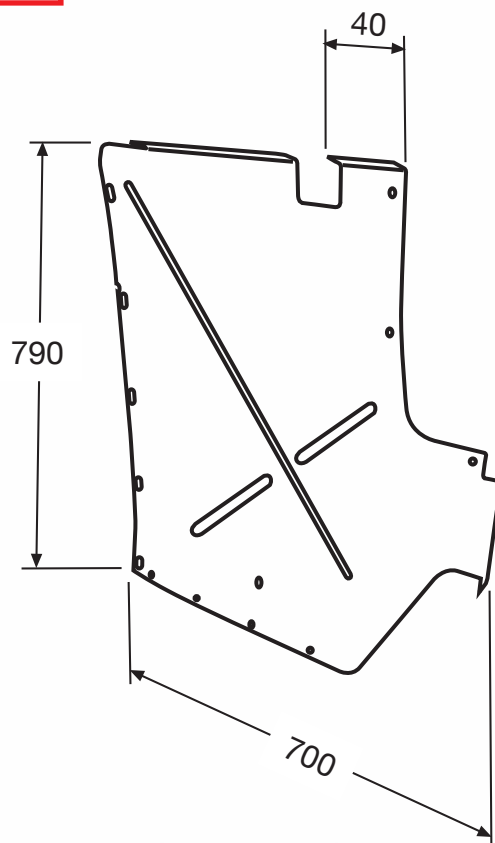
# riparifango mud protection



Adattabile a: **Fiat-Iveco**  
Suitable to:

**682**

- **Materiale:** Lamiera
- **Material:** Sheet



## Guida sinistra Left drive

### 682/328

O.E.: 4689574  
destro  
peso kg.: 3,800  
colore: nero

### 682/328

O.E.: 4689574  
RH  
weight kg.: 3,800  
color: black



### 682/329

O.E.: 4579244  
sinistro  
peso kg.: 3,800  
colore: nero

### 682/329

O.E.: 4579244  
LH  
weight kg.: 3,800  
color: black

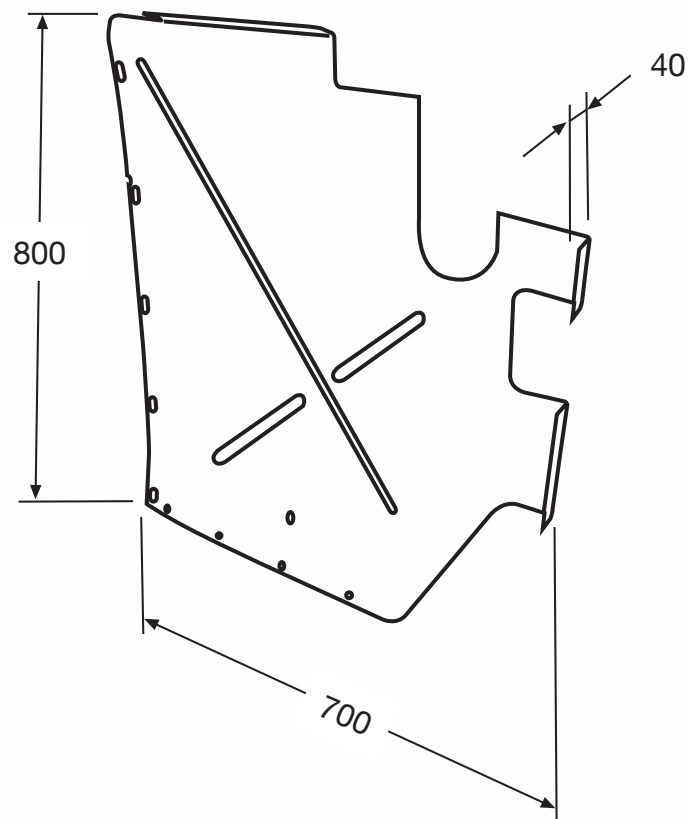




Adattabile a: **Fiat-Iveco**  
Suitable to: **Fiat-Iveco**

## 682

- **Materiale:** Lamiera
- **Material:** Sheet



Il disegno tecnico rappresenta entrambi i particolari in quanto speculari e con le stesse dimensioni.  
Same technical drawing is used to represent both items. These components are specular and with the same dimensions.

**645/320**

O.E.: 4568446

destro

peso kg.: 2,900

colore: rosso

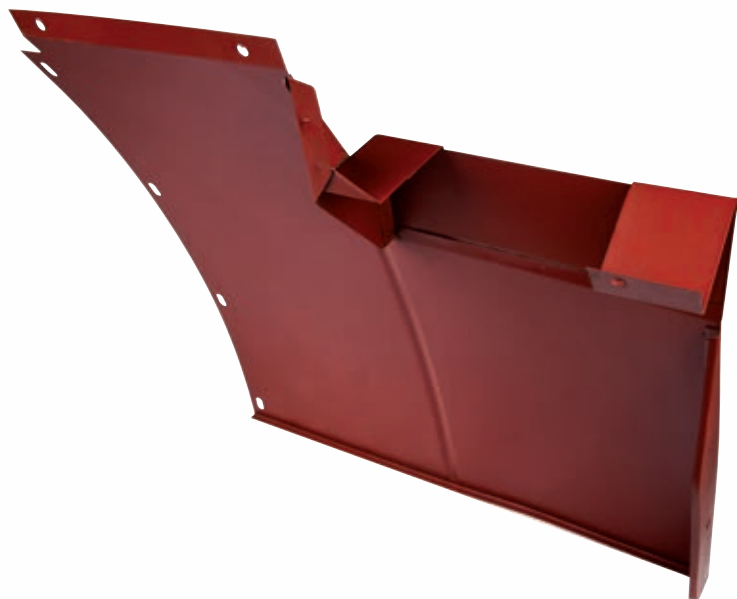
**645/320**

O.E.: 4568446

RH

weight kg.: 2,900

color: red



**645/321**

O.E.: 4568447

sinistro

peso kg.: 2,900

colore: rosso

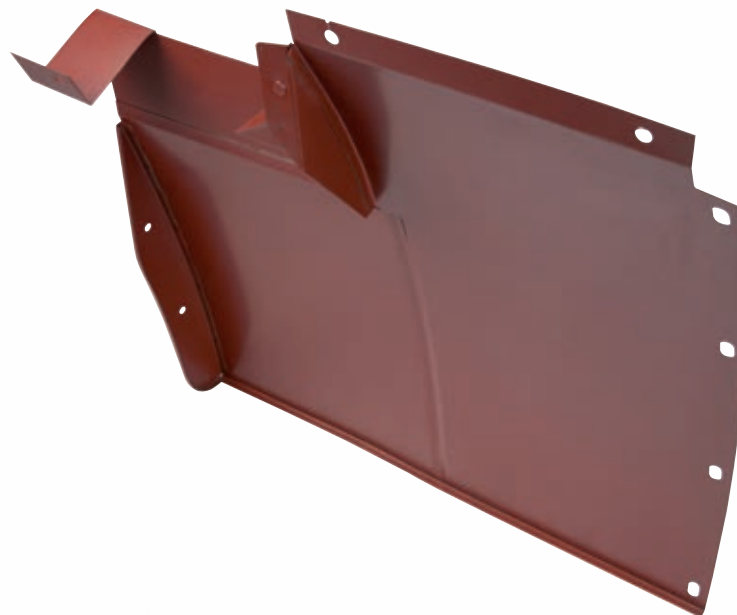
**645/321**

O.E.: 4568447

LH

weight kg.: 2,900

color: red

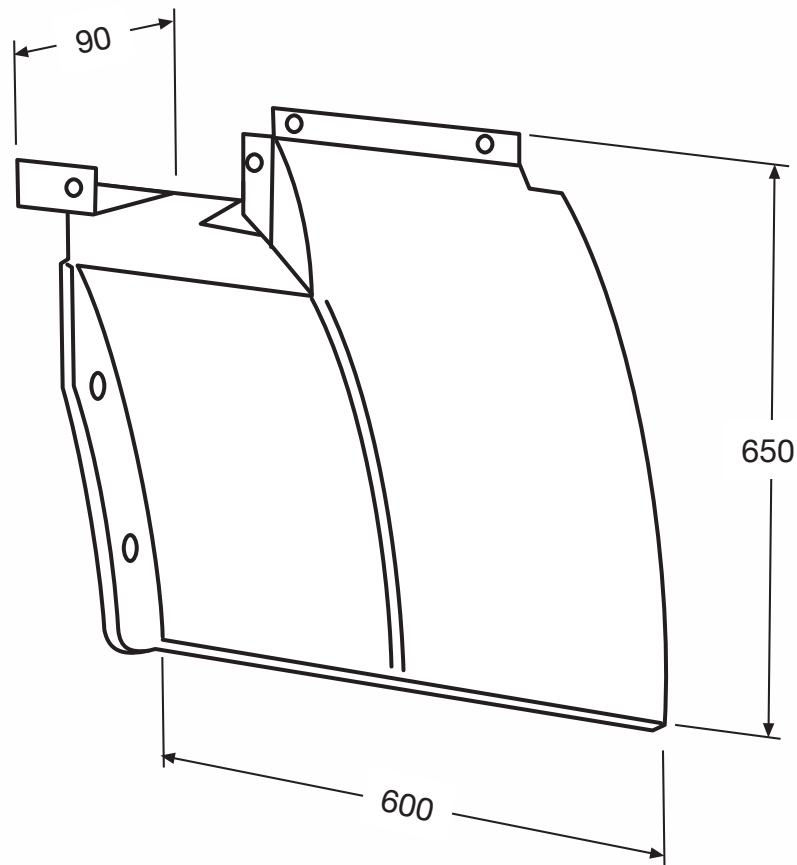




Adattabile a: **Fiat-Iveco**  
Suitable to:

## 645

- **Materiale:** Lamiera
- **Material:** Sheet



Il disegno tecnico rappresenta entrambi i particolari in quanto speculari e con le stesse dimensioni.  
Same technical drawing is used to represent both items. These components are specular and with the same dimensions.

**643/320**

O.E.: 4599506

destro

peso kg.: 3,800

colore: rosso

**643/320**

O.E.: 4599506

RH

weight kg.: 3,800

color: red



**643/321**

O.E.: 4599507

sinistro

peso kg.: 3,800

colore: rosso

**643/321**

O.E.: 4599507

LH

weight kg.: 3,800

color: red



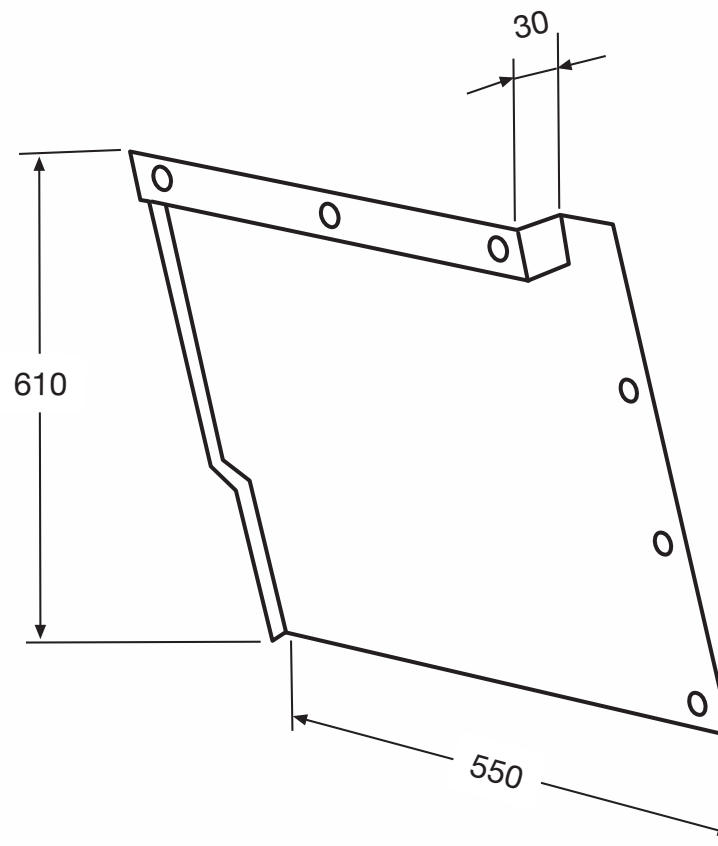




Adattabile a: **Fiat-Iveco**  
Suitable to: **Fiat-Iveco**

## 643

- **Materiale:** Lamiera
- **Material:** Sheet



Il disegno tecnico rappresenta entrambi i particolari in quanto speculari e con le stesse dimensioni.  
Same technical drawing is used to represent both items. These components are specular and with the same dimensions.

**950/101**

O.E.: 500339341

destro

peso kg.:1,010

colore: nero

**950/101**

O.E.: 500339341

RH

weight kg.: 1,010

color: black



**950/102**

O.E.: 500339342

sinistro

peso kg.:1,010

colore: nero

**950/102**

O.E.: 500339342

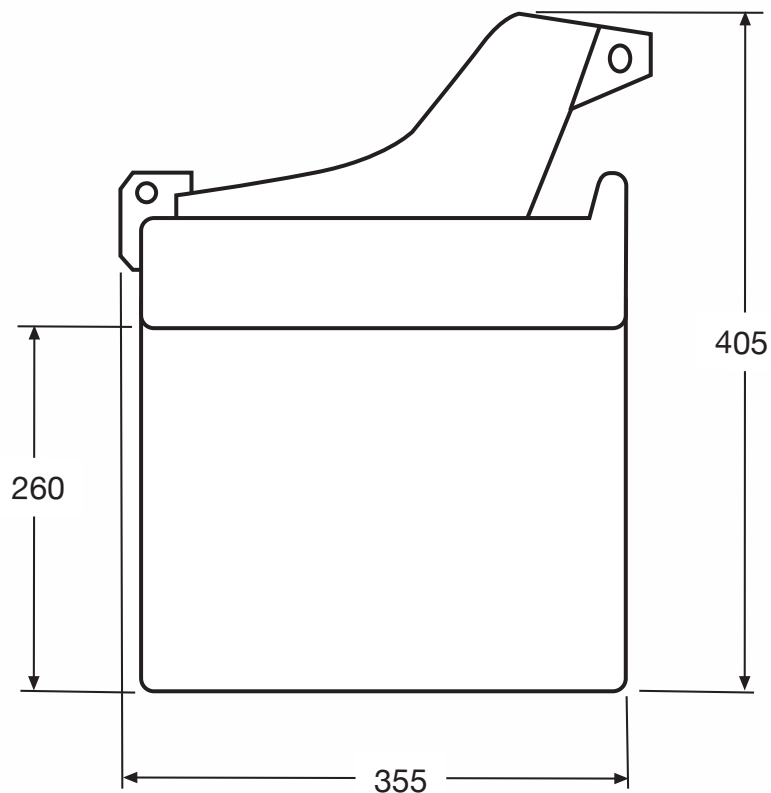
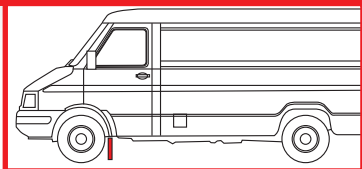
LH

weight kg.: 1,010

color: black



# paraspruzzi anti-spray



Adattabile a: **Iveco**  
Suitable to:

**Daily S-2000**

**Daily S-2006**

**Daily S-2009**

**Daily S-2012**

- **Materiale:** EPDM
- **Material:** EPDM

**950/103**

O.E.: 500379212

destro

peso kg.:1,095

colore: nero

**950/103**

O.E.: 500379212

RH

weight kg.: 1,095

color: black



**950/104**

O.E.: 500379213

sinistro

peso kg.:1,080

colore: nero

**950/104**

O.E.: 500379213

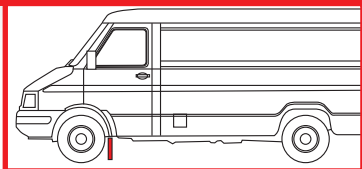
LH

weight kg.: 1,080

color: black



## paraspruzzi anti-spray



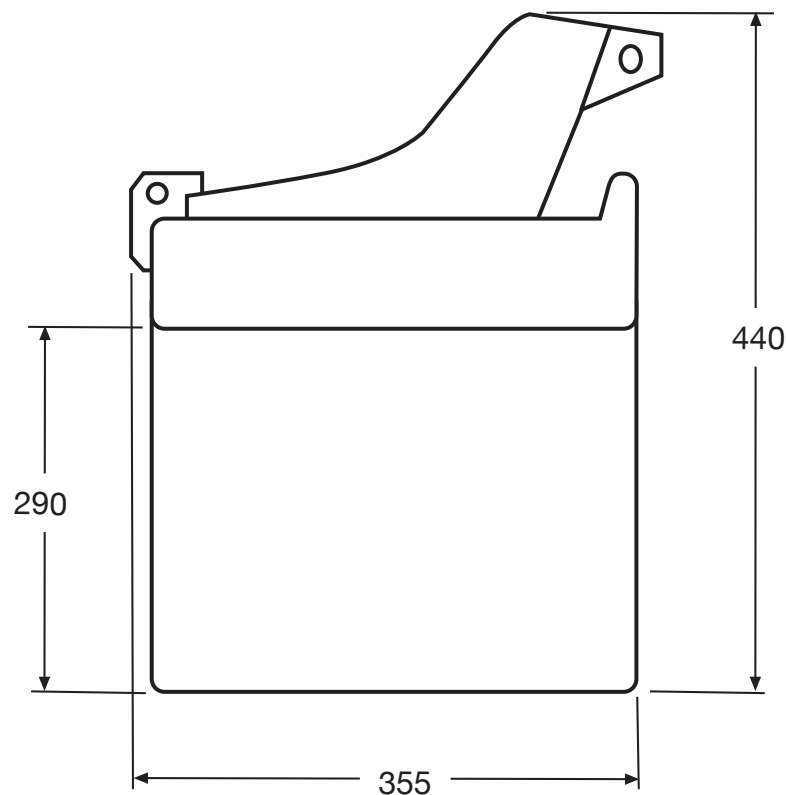
Adattabile a: **Iveco**  
Suitable to:

**Daily S-2000**

**Daily S-2006**

**Daily S-2009**

**Daily S-2012**



- **Materiale:** EPDM
- **Material:** EPDM

**950/150**

O.E.: 93906288

destro|sinistro

peso kg.:1,300

colore: grigio

**950/150**

O.E.: 93906288

RH|LH

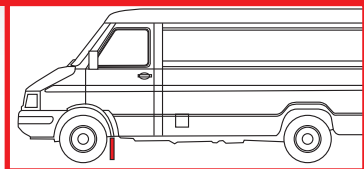
weight kg.: 1,300

color: grey





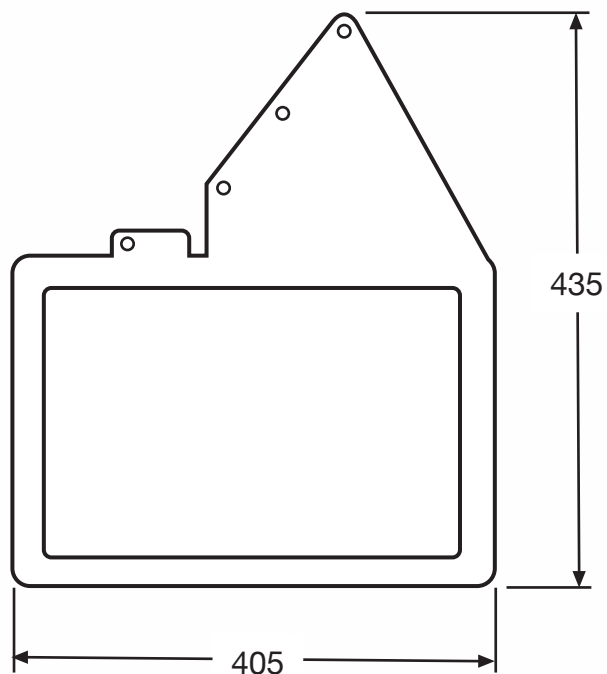
# paraspruzzi anti-spray



Adattabile a: **Iveco**  
Suitable to: **Iveco**

**New Daily**  
**New Daily '96**

- **Materiale:** EPDM
- **Material:** EPDM



**950/100**

O.E.: 93906278

destro|sinistro

peso kg.: 0,410

colore: nero

**950/100**

O.E.: 93906278

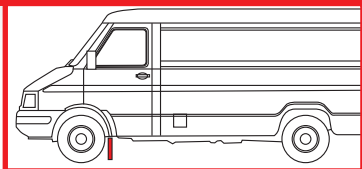
RH|LH

weight kg.: 0,410

color: black



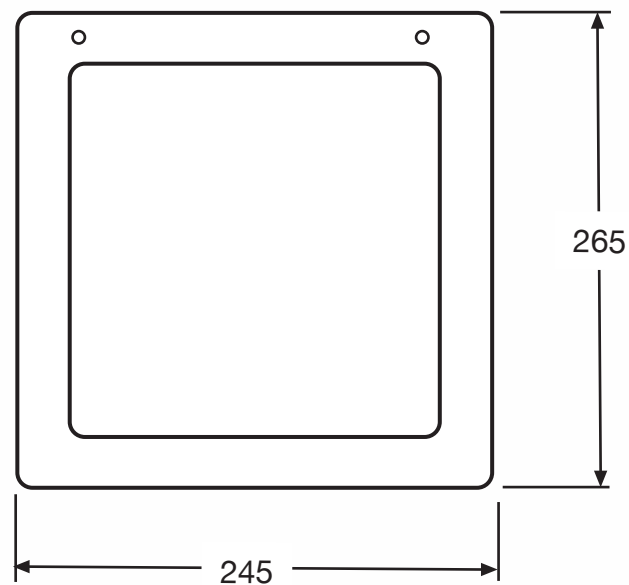
# paraspruzzi anti-spray



Adattabile a: **Iveco**  
Suitable to: **Iveco**

**New Daily**  
**New Daily '96**

- **Materiale:** EPDM
- **Material:** EPDM



**XF5/520**  
 O.E.: 1875551  
 destro|sinistro  
 peso kg.: 3,520  
 colore: nero  
 SEMIPIATTA  
 CON CINGHIETTI WITH STRETCHERS

**XF5/520**  
 O.E.: 1875551  
 RH|LH  
 weight kg.: 3,520  
 color: black  
 SEMI-FLAT  
 WITH STRETCHERS



**XF5/516**  
 O.E.: 1875550  
 destro  
 peso kg.: 2,645  
 colore: nero  
 CON STAFFE

**XF5/517**  
 O.E.: 1875549  
 sinistro  
 peso kg.: 2,645  
 colore: nero  
 CON STAFFE

**XF5/516**  
 O.E.: 1875550  
 RH  
 weight kg.: 2,645  
 color: black  
 WITH BRACKETS

**XF5/517**  
 O.E.: 1875549  
 LH  
 weight kg.: 2,645  
 color: black  
 WITH BRACKETS



**XF5/518**  
 O.E.: 1875554  
 destro  
 peso kg.: 4,115  
 colore: nero  
 CON ANTI-SPRAY  
 CON STAFFE

**XF5/519**  
 O.E.: 1875553  
 sinistro  
 peso kg.: 4,115  
 colore: nero  
 CON ANTI-SPRAY  
 CON STAFFE

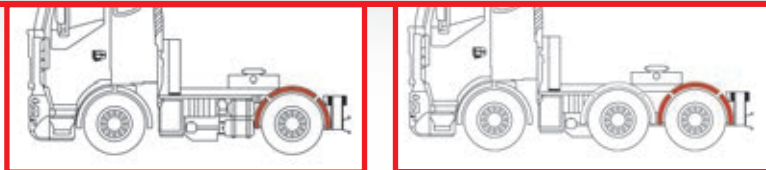
**XF5/518**  
 O.E.: 1875554  
 RH  
 weight kg.: 4,115  
 color: black  
 WITH ANTI-SPRAY  
 WITH BRACKETS

**XF5/519**  
 O.E.: 1875553  
 LH  
 weight kg.: 4,115  
 color: black  
 WITH ANTI-SPRAY  
 WITH BRACKETS



vista interna - internal view

# parafanghi posteriori rear mudguards



Adattabile a: **DAF**  
Suitable to: **DAF**

**XF105**

adattabile a | adaptable to:

**CF6 Euro 6**

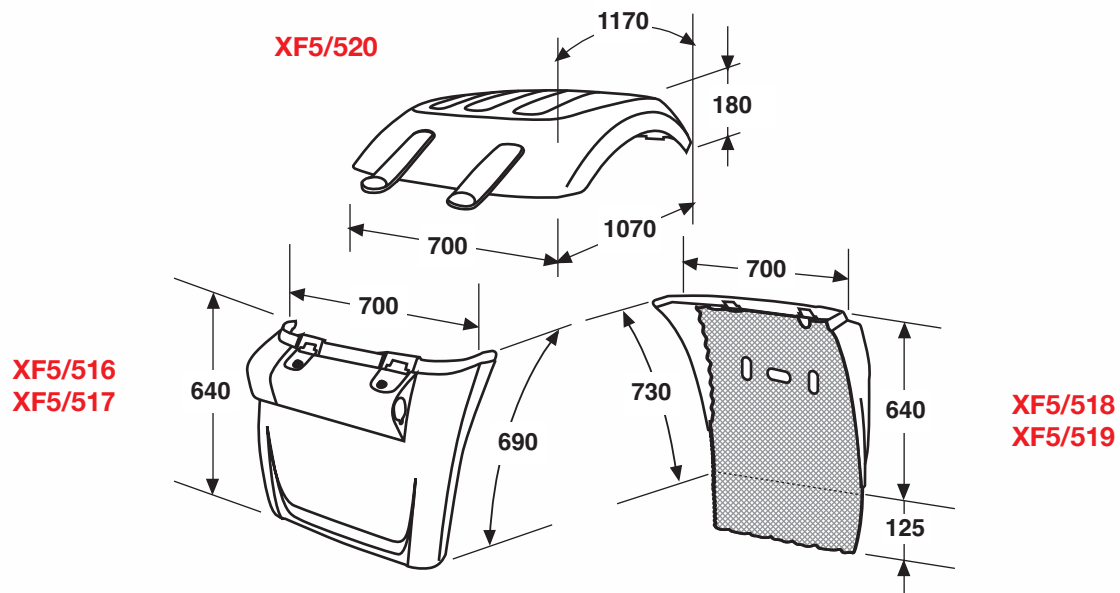
**XF106 Euro 6**

• **Materiale: PP**

•

• **Material: PP**

•



**XF5/520**  
 O.E.: 1875551  
 destro|sinistro  
 peso kg.: 3,520  
 colore: nero  
 SEMIPIATTA  
 CON CINGHIETTI WITH STRETCHERS

**XF5/520**  
 O.E.: 1875551  
 RH|LH  
 weight kg.: 3,520  
 color: black  
 SEMI-FLAT  
 WITH STRETCHERS



**XF5/516**  
 O.E.: 1875550  
 destro  
 peso kg.: 2,645  
 colore: nero  
 CON STAFFE

**XF5/517**  
 O.E.: 1875549  
 sinistro  
 peso kg.: 2,645  
 colore: nero  
 CON STAFFE

**XF5/516**  
 O.E.: 1875550  
 RH  
 weight kg.: 2,645  
 color: black  
 WITH BRACKETS

**XF5/517**  
 O.E.: 1875549  
 LH  
 weight kg.: 2,645  
 color: black  
 WITH BRACKETS



vista interna - internal view

**XF5/538**  
 O.E.: -  
 destro  
 peso kg.: 2,785  
 colore: nero  
 SENZA ANTI-SPRAY  
 CON STAFFE

**XF5/538**  
 O.E.: -  
 RH  
 weight kg.: 2,785  
 color: black  
 WITHOUT ANTI-SPRAY  
 WITH BRACKETS

**XF5/539**  
 O.E.: -  
 sinistro  
 peso kg.: 2,785  
 colore: nero  
 SENZA ANTI-SPRAY  
 CON STAFFE

**XF5/539**  
 O.E.: -  
 LH  
 weight kg.: 2,785  
 color: black  
 WITHOUT ANTI-SPRAY  
 WITH BRACKETS



# parafanghi posteriori rear mudguards



Adattabile a: **DAF**  
Suitable to: **DAF**

**XF105**

adattabile a | adaptable to:

**CF6 Euro 6**

**XF106 Euro 6**

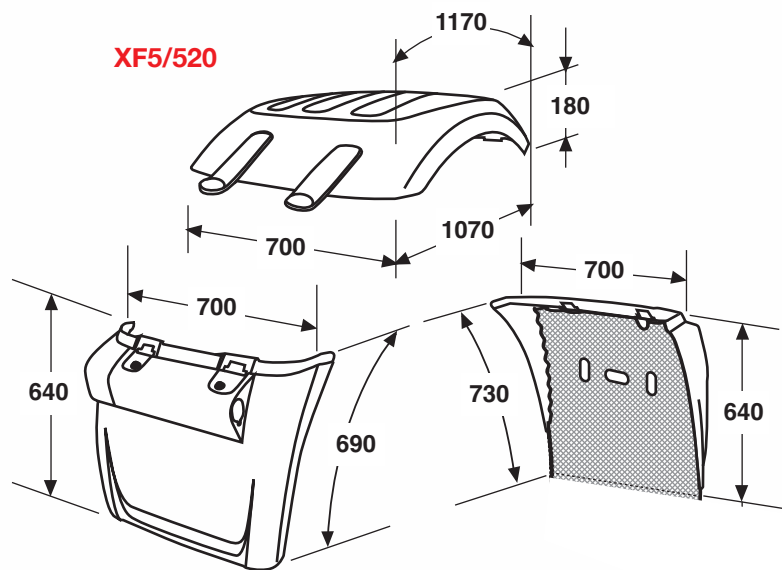
• **Materiale: PP**

• **Materiale: PP**

• **Materiale: PP**

• **Materiale: PP**

**XF5/516**  
**XF5/517**



**XF5/538**  
**XF5/539**

**XF5/520**  
O.E.: 1875551  
destro|sinistro  
peso kg.: 3,520  
colore: nero  
SEMIPIATTA  
CON CINGHIETTI

**XF5/520**  
O.E.: 1875551  
RH|LH  
weight kg.: 3,520  
color: black  
SEMI-FLAT  
WITH STRETCHERS



**XF5/516**  
O.E.: 1875550  
destro  
peso kg.: 2,645  
colore: nero  
CON STAFFE

**XF5/517**  
O.E.: 1875549  
sinistro  
peso kg.: 2,645  
colore: nero  
CON STAFFE

**XF5/516**  
O.E.: 1875550  
RH  
weight kg.: 2,645  
color: black  
WITH BRACKETS

**XF5/517**  
O.E.: 1875549  
LH  
weight kg.: 2,645  
color: black  
WITH BRACKETS



vista interna - internal view



**XF5/522**  
O.E.: 1892198  
destro  
peso kg.: 4,235  
colore: nero  
CON ANTI-SPRAY  
CON STAFFE

**XF5/523**  
O.E.: 1892197  
sinistro  
peso kg.: 4,235  
colore: nero  
CON ANTI-SPRAY  
CON STAFFE

**XF5/522**  
O.E.: 1892198  
RH  
weight kg.: 4,235  
color: black  
WITH ANTI-SPRAY  
WITH BRACKETS

**XF5/523**  
O.E.: 1892197  
LH  
weight kg.: 4,235  
color: black  
WITH ANTI-SPRAY  
WITH BRACKETS

# parafanghi posteriori rear mudguards



Adattabile a: **DAF**  
Suitable to: **DAF**

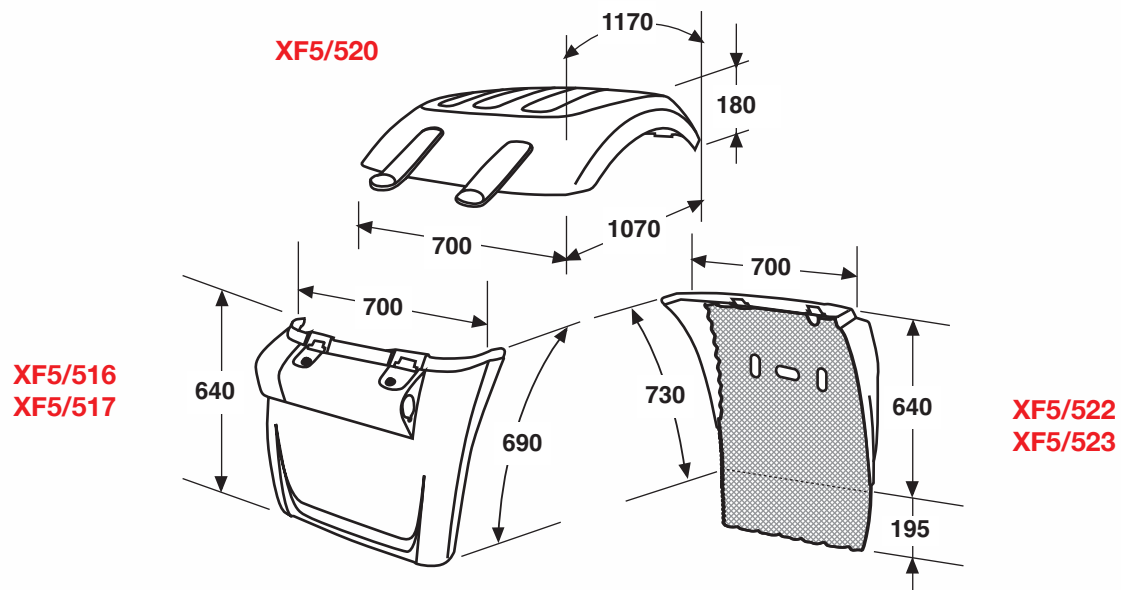
**XF105**

adattabile a | adaptable to:

**CF6 Euro 6**

**XF106 Euro 6**

- **Materiale: PP**
- **Material: PP**



**XF5/520**  
 O.E.: 1875551  
 destro|sinistro  
 peso kg.: 3,520  
 colore: nero  
 SEMIPIATTA  
 CON CINGHIETTI

**XF5/520**  
 O.E.: 1875551  
 RH|LH  
 weight kg.: 3,520  
 color: black  
 SEMI-FLAT  
 WITH STRETCHERS



**XF5/516**  
 O.E.: 1875550  
 destro  
 peso kg.: 2,645  
 colore: nero  
 CON STAFFE

**XF5/517**  
 O.E.: 1875549  
 sinistro  
 peso kg.: 2,645  
 colore: nero  
 CON STAFFE

**XF5/516**  
 O.E.: 1875550  
 RH  
 weight kg.: 2,645  
 color: black  
 WITH BRACKETS

**XF5/517**  
 O.E.: 1875549  
 LH  
 weight kg.: 2,645  
 color: black  
 WITH BRACKETS



**XF5/532**  
 O.E.: -  
 destro  
 peso kg.: 2,860  
 colore: nero  
 SENZA ANTI-SPRAY  
 CON STAFFE

**XF5/532**  
 O.E.: -  
 RH  
 weight kg.: 2,860  
 color: black  
 WITHOUT ANTI-SPRAY  
 WITH BRACKETS

**XF5/533**  
 O.E.: -  
 sinistro  
 peso kg.: 2,335  
 colore: nero  
 SENZA ANTI-SPRAY  
 CON STAFFE

**XF5/533**  
 O.E.: -  
 LH  
 weight kg.: 2,335  
 color: black  
 WITHOUT ANTI-SPRAY  
 WITH BRACKETS



vista interna - internal view

# parafanghi posteriori rear mudguards



Adattabile a: **DAF**  
Suitable to: **DAF**

**XF105**

adattabile a | adaptable to:

**CF6 Euro 6**

**XF106 Euro 6**

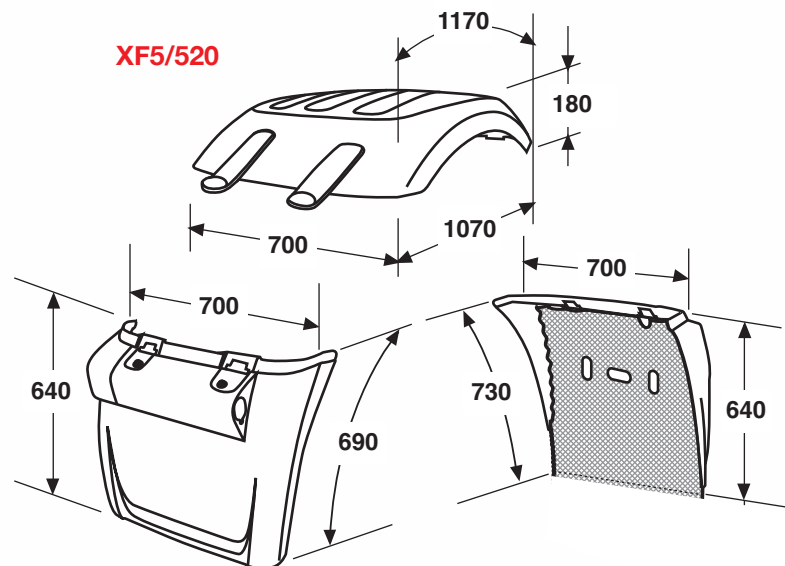
• **Materiale: PP**

•

• **Material: PP**

•

**XF5/516**  
**XF5/517**



**XF5/532**  
**XF5/533**



**XF5/525**  
 O.E.: 1875552  
 destro|sinistro  
 peso kg.: 3,890  
 colore: nero  
 SEMIPIATTA  
 CON CINGHIETTI

**XF5/525**  
 O.E.: 1875552  
 RH|LH  
 weight kg.: 3,890  
 color: black  
 SEMI-FLAT  
 WITH STRETCHERS

**XF5/528**  
 O.E.: 1892246  
 destro  
 peso kg.: 2,255  
 colore: nero  
 CON STAFFE

**XF5/529**  
 O.E.: 1892245  
 sinistro  
 peso kg.: 2,255  
 colore: nero  
 CON STAFFE

**XF5/528**  
 O.E.: 1892246  
 RH  
 weight kg.: 2,255  
 color: black  
 WITH BRACKETS

**XF5/529**  
 O.E.: 1892245  
 LH  
 weight kg.: 2,255  
 color: black  
 WITH BRACKETS



**XF5/526**  
 O.E.: 1892248  
 destro  
 peso kg.: 3,920  
 colore: nero  
 CON ANTI-SPRAY  
 CON STAFFE

**XF5/527**  
 O.E.: 1892247  
 destro  
 peso kg.: 3,915  
 colore: nero  
 CON ANTI-SPRAY  
 CON STAFFE

**XF5/526**  
 O.E.: 1892248  
 RH  
 weight kg.: 3,920  
 color: black  
 WITH ANTI-SPRAY  
 WITH BRACKETS

**XF5/527**  
 O.E.: 1892247  
 RH  
 weight kg.: 3,915  
 color: black  
 WITH ANTI-SPRAY  
 WITH BRACKETS



vista interna - internal view



# parafanghi posteriori rear mudguards



Adattabile a: **DAF**  
Suitable to: **DAF**

**XF105**

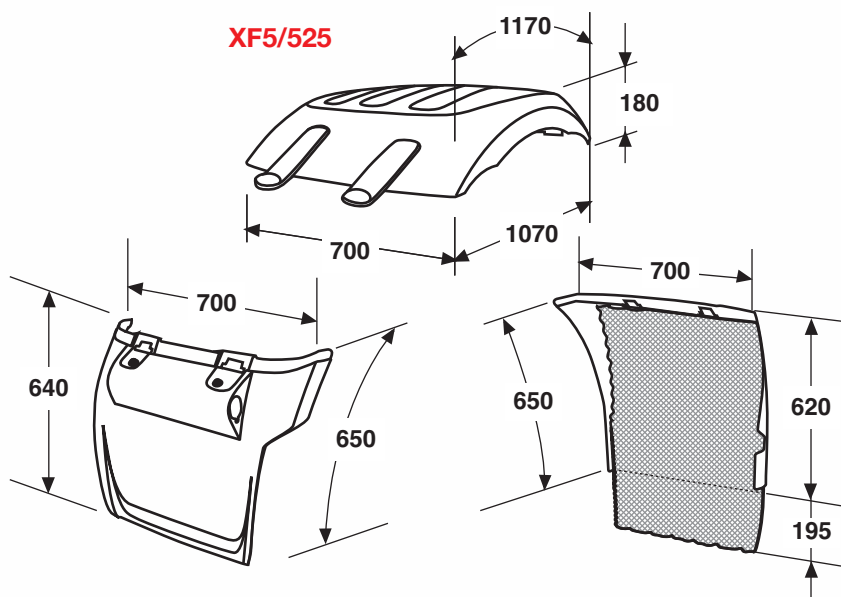
adattabile a | adaptable to:

**CF6 Euro 6**

**XF106 Euro 6**

- **Materiale: PP**
- **Material: PP**

**XF5/528**  
**XF5/529**



**XF5/526**  
**XF5/527**

**XF5/525**  
 O.E.: 1875552  
 destro|sinistro  
 peso kg.: 3,890  
 colore: nero  
 SEMIPIATTA  
 CON CINGHIETTI WITH STRETCHERS

**XF5/525**  
 O.E.: 1875552  
 RH|LH  
 weight kg.: 3,890  
 color: black  
 SEMI-FLAT  
 WITH STRETCHERS



**XF5/528**  
 O.E.: 1892246  
 destro  
 peso kg.: 2,255  
 colore: nero  
 CON STAFFE

**XF5/529**  
 O.E.: 1892245  
 sinistro  
 peso kg.: 2,255  
 colore: nero  
 CON STAFFE

**XF5/528**  
 O.E.: 1892246  
 RH  
 weight kg.: 2,255  
 color: black  
 WITH BRACKETS

**XF5/529**  
 O.E.: 1892245  
 LH  
 weight kg.: 2,255  
 color: black  
 WITH BRACKETS



vista interna - internal view

**XF5/536**  
 O.E.: -  
 destro  
 peso kg.: 2,330  
 colore: nero  
 SENZA ANTI-SPRAY  
 CON STAFFE

**XF5/537**  
 O.E.: -  
 sinistro  
 peso kg.: 2,780  
 colore: nero  
 SENZA ANTI-SPRAY  
 CON STAFFE

**XF5/536**  
 O.E.: -  
 RH  
 weight kg.: 2,330  
 color: black  
 WITHOUT ANTI-SPRAY  
 WITH BRACKETS

**XF5/537**  
 O.E.: -  
 LH  
 weight kg.: 2,780  
 color: black  
 WITHOUT ANTI-SPRAY  
 WITH BRACKETS

# parafanghi posteriori rear mudguards



Adattabile a: **DAF**  
Suitable to: **DAF**

**XF105**

adattabile a | adaptable to:

**CF6 Euro 6**

**XF106 Euro 6**

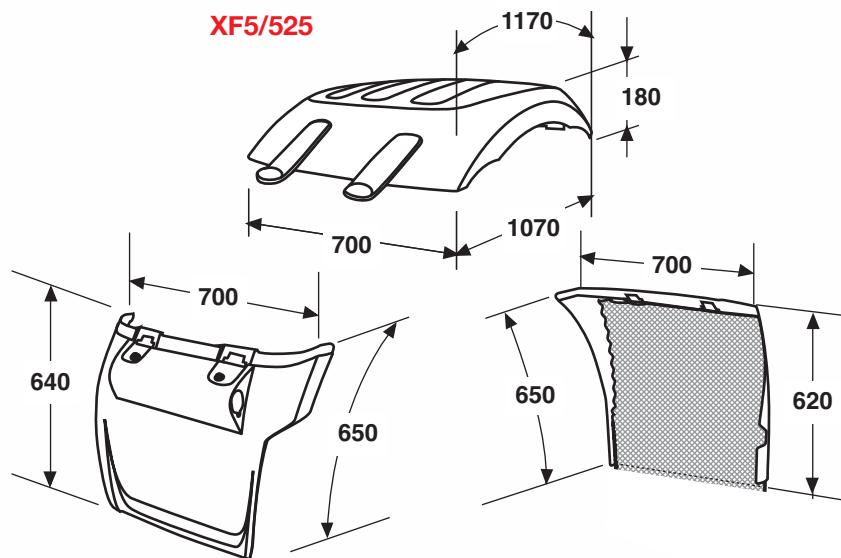
• **Materiale: PP**

•

• **Material: PP**

•

**XF5/528**  
**XF5/529**



**XF5/536**  
**XF5/537**



**XF5/515**  
O.E.: 1927847  
peso kg.: 0,130  
colore: nero

**XF5/515**  
O.E.: 1927847  
weight kg.: 0,130  
color: black



## parafanghi posteriori rear mudguards



Adattabile a: **DAF**  
Suitable to: **DAF**

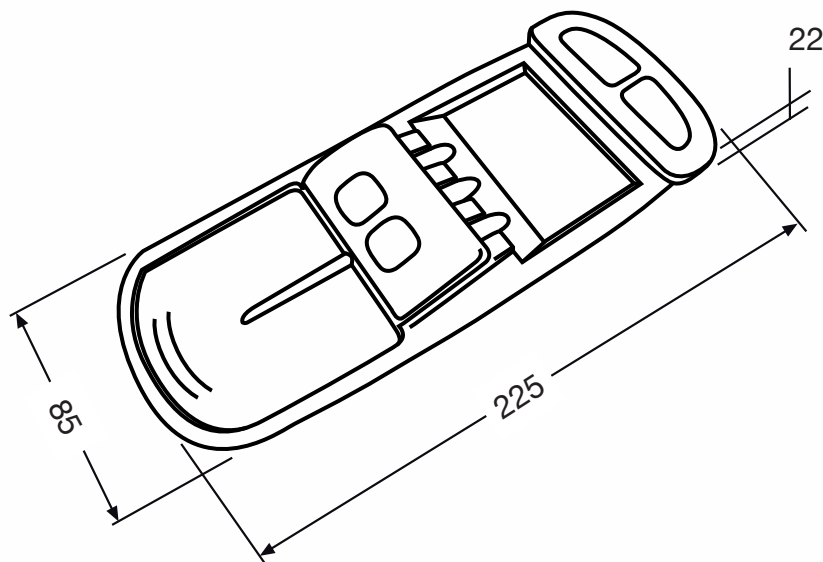
**XF105**

adattabile a | adaptable to:

**CF6 Euro 6**

**XF106 Euro 6**

- **Materiale:** EPDM
- **Material:** EPDM



**XF0/320**

O.E.: 1997262

destro

peso kg.: 4,295

colore: nero

**XF0/320**

O.E.: 1997262

RH

weight kg.: 4,295

color: black



**XF0/321**

O.E.: 1997261

sinistro

peso kg.: 4,310

colore: nero

**XF0/321**

O.E.: 1997261

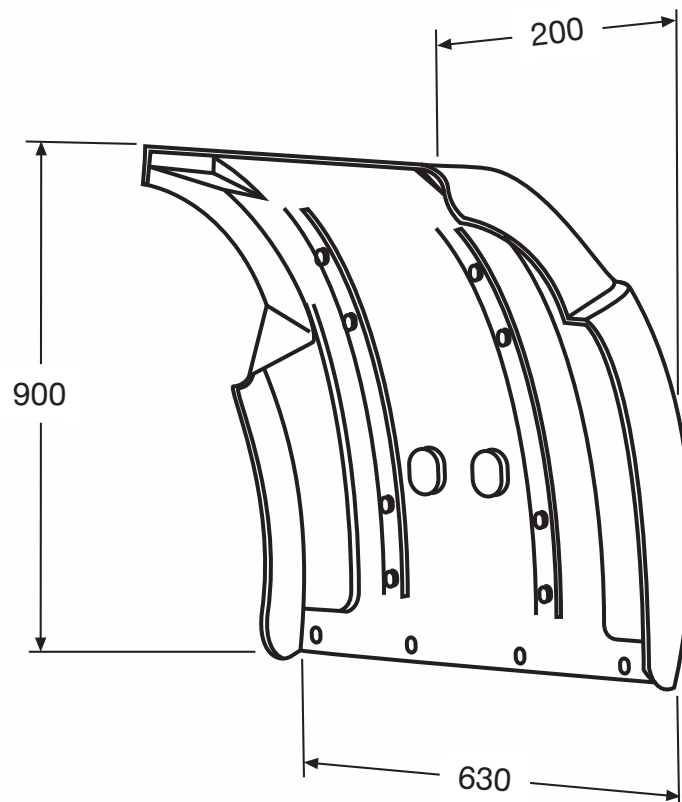
LH

weight kg.: 4,310

color: black







Adattabile a: **DAF**  
Suitable to: **DAF**

**XF95**

adattabile a | adaptable to:

**XF105**

**CF85**

- **Materiale: SMC**
- **Material: SMC**

- **XF0/520**
  - O.E.: 1328935
  - destro|sinistro
  - peso kg.: 3,480
  - colore: grigio scuro
  - SEMIPIATTA
  - CON CINGHIETTI
- **XF0/520**
  - O.E.: 1328935
  - RH|LH
  - weight kg.: 3,480
  - color: dark grey
  - SEMI-FLAT
  - WITH STRETCHERS

**XF0/515**  
O.E.: 1328934  
destro|sinistro  
peso kg.: 3,320  
colore: grigio scuro  
CON STAFFE

**XF0/515**  
O.E.: 1328934  
RH|LH  
weight kg.: 3,320  
color: dark grey  
WITH BRACKETS



**XF0/515**

# parafanghi posteriori rear mudguards



Adattabile a: **DAF**  
Suitable to: **DAF**

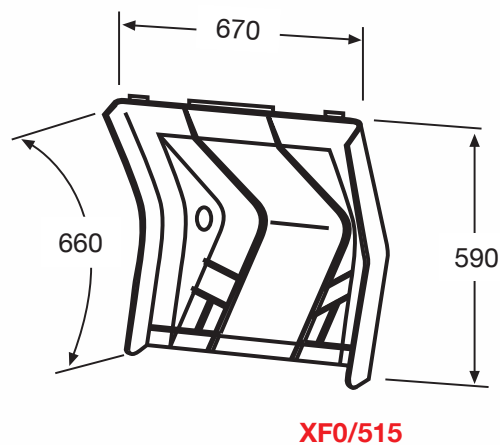
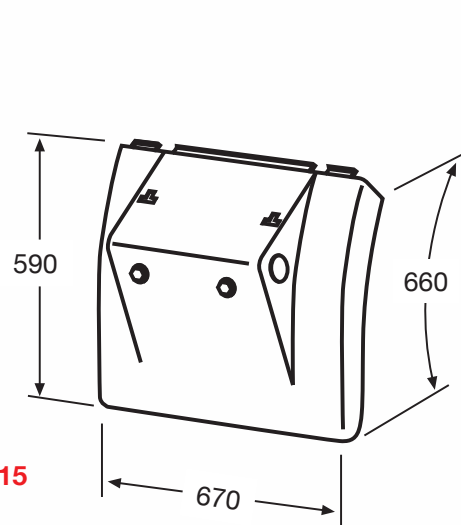
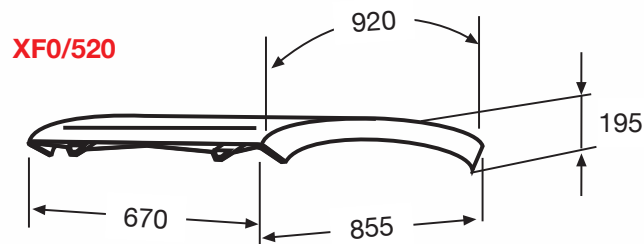
**XF95**

adattabile a | adaptable to:

**95XF**

**XF105**

**CF85**



- **Materiale: PP**
- **Material: PP**



**XF0/510**

O.E.: 1340450  
peso kg.: 0,080  
colore: grigio scuro  
Materiale: EPDM

**XF0/510**

O.E.: 1340450  
weight kg.: 0,080  
color: dark grey  
Material: EPDM



**XF0/517**

O.E.: 1649588  
peso kg.: 0,117  
colore: zincata

**XF0/517**

O.E.: 1649588  
weight kg.: 0,117  
color: galvanized

## parafanghi posteriori rear mudguards



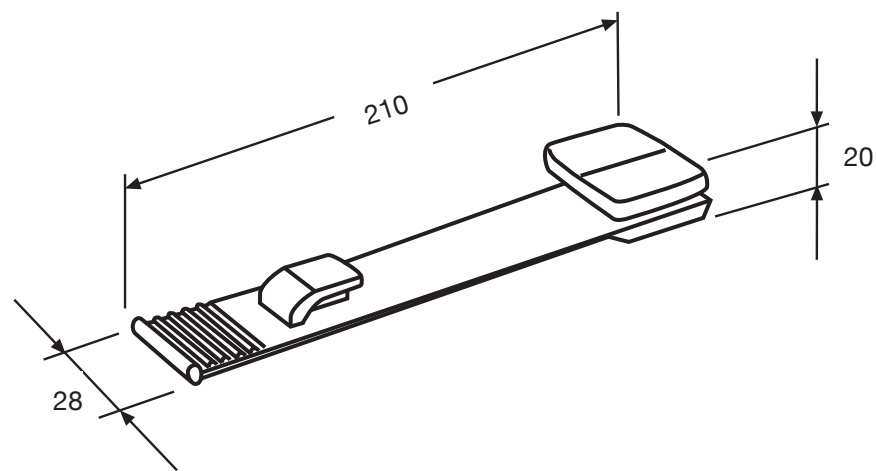
Adattabile a: **DAF**  
Suitable to: **DAF**

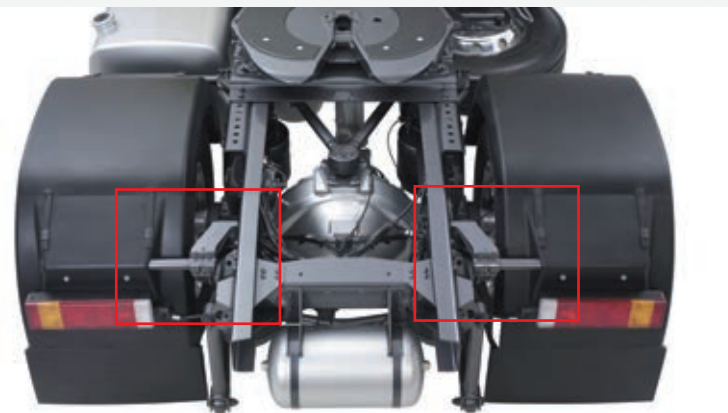
**XF95**

adattabile a | adaptable to:

**95XF**

**XF105**





**XF0/521 KIT**  
O.E.: 1371226



**XF0/519**

O.E.: 1629046  
destro|sinistro  
peso kg.: 0,310  
colore: nero  
Materiale: Acciaio zincato

**XF0/519**

O.E.: 1629046  
RH|LH  
weight kg.: 0,310  
color: black  
Material: Galvanized steel



**XF0/516**

O.E.: 1629045  
destro|sinistro  
peso kg.: 0,135  
colore: nero  
Materiale: EPDM

**XF0/516**

O.E.: 1629045  
RH|LH  
weight kg.: 0,135  
color: black  
Material: EPDM



**XF0/518**

O.E.: -  
destro|sinistro  
peso kg.: 1,790  
Materiale: Alluminio

**XF0/518**

O.E.: -  
RH|LH  
weight kg.: 1,790  
Material: Aluminium



**XF0/526**

O.E.: 1629036  
destro|sinistro  
peso kg.: 2,080  
colore: nero  
Materiale: Ferro

**XF0/526**

O.E.: 1629036  
RH|LH  
weight kg.: 2,080  
color: black  
Material: Iron



# parafanghi posteriori rear mudguards



Adattabile a: **DAF**  
Suitable to: **DAF**

**XF95**

adattabile a | adaptable to:

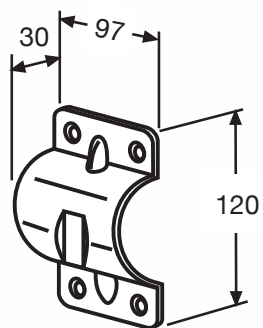
**CF85**

**95XF**

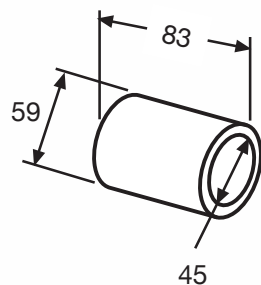
**XF105**

**XF106 Euro 6**

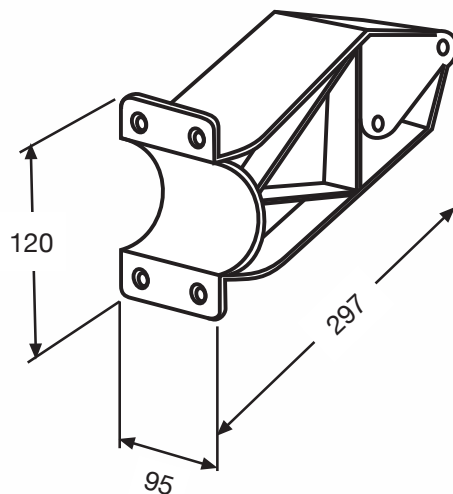
**XF0/519**



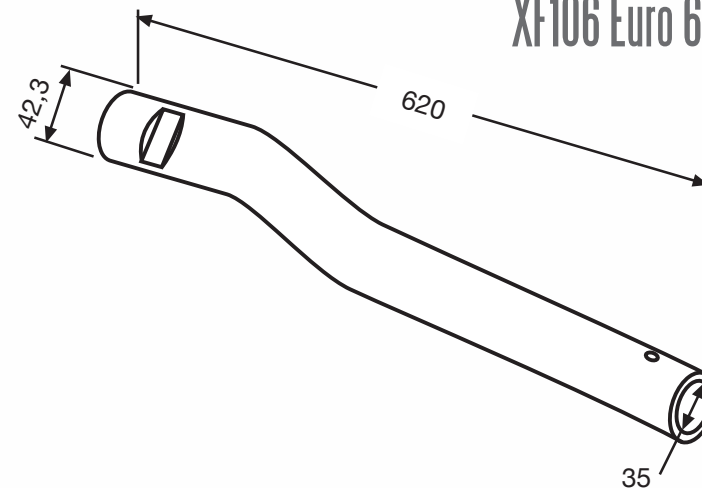
**XF0/516**

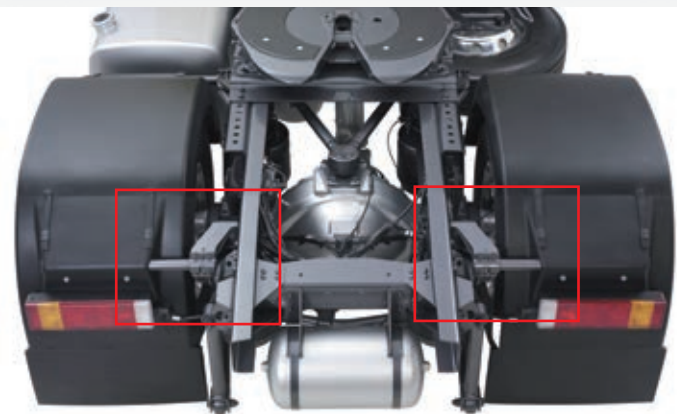


**XF0/518**



**XF0/526**





**XF0/500 KIT**  
O.E.: 1371224



**XF0/519**

O.E.: 1629046  
destro|sinistro  
peso kg.: 0,310  
colore: nero  
Materiale: Acciaio zincato

**XF0/519**

O.E.: 1629046  
RH|LH  
weight kg.: 0,310  
color: black  
Material: Galvanized steel



**XF0/516**

O.E.: 1629045  
destro|sinistro  
peso kg.: 0,135  
colore: nero  
Materiale: EPDM

**XF0/516**

O.E.: 1629045  
RH|LH  
weight kg.: 0,135  
color: black  
Material: EPDM



**XF0/518**

O.E.: -  
destro|sinistro  
peso kg.: 1,790  
Materiale: Alluminio

**XF0/518**

O.E.: -  
RH|LH  
weight kg.: 1,790  
Material: Aluminium



**XF0/514**

O.E.: 1610454  
destro|sinistro  
peso kg.: 2,080  
colore: nero  
Materiale: Ferro

**XF0/514**

O.E.: 1610454  
RH|LH  
weight kg.: 2,080  
color: black  
Material: Iron

# parafanghi posteriori rear mudguards



Adattabile a: **DAF**  
Suitable to: **DAF**

**XF95**

adattabile a | adaptable to:

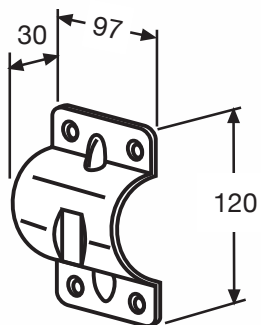
**CF85**

**95XF**

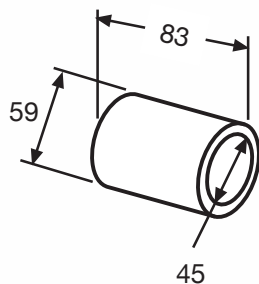
**XF105**

**XF106 Euro 6**

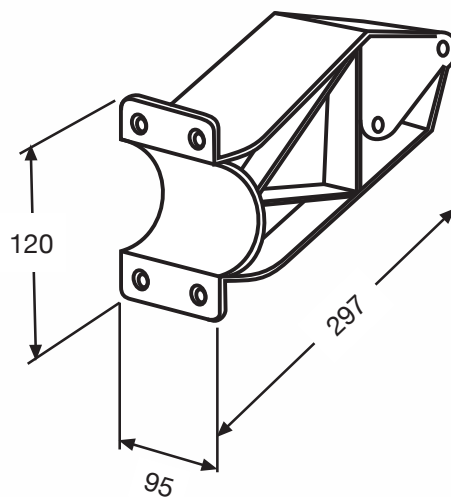
**XF0/519**



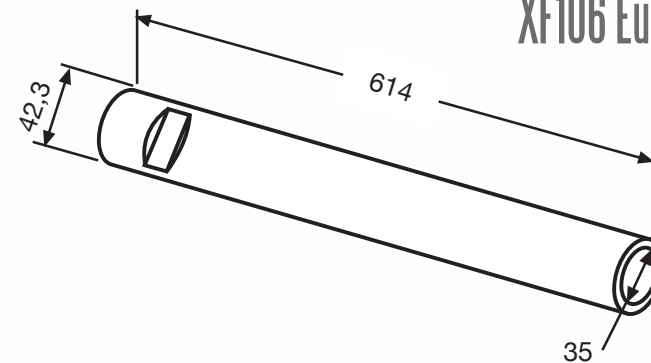
**XF0/516**



**XF0/518**



**XF0/514**



**CF0/320**

O.E.: 1997258  
destro  
peso kg.: 4,950  
colore: nero  
CON ANTI-SPRAY

**CF0/320**

O.E.: 1997258  
RH  
weight kg.: 4,950  
color: black  
WITH ANTI-SPRAY



**CF0/321**

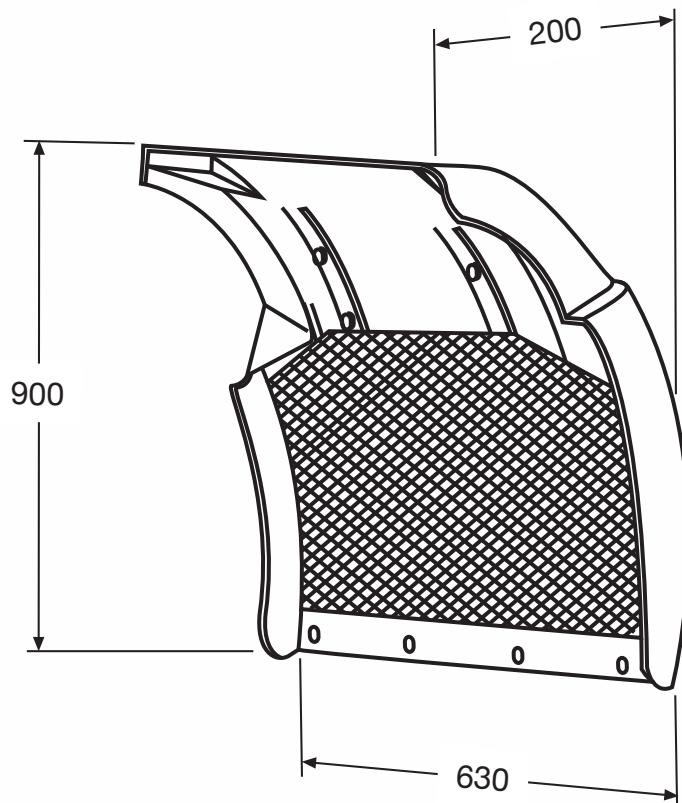
O.E.: 1997257  
sinistro  
peso kg.: 4,930  
colore: nero  
CON ANTI-SPRAY

**CF0/321**

O.E.: 1997257  
LH  
weight kg.: 4,930  
color: black  
WITH ANTI-SPRAY



# riparifango mud protection



Adattabile a: **DAF**  
Suitable to: **DAF**

**CF85**

adattabile a | adaptable to:

**XF95**

**XF105**

- **Materiale: SMC**
- **Material: SMC**

Il disegno tecnico rappresenta entrambi i particolari in quanto speculari e con le stesse dimensioni.  
Same technical drawing is used to represent both items. These components are specular and with the same dimensions.

**LF0/324**

O.E.: 1404997

destro

peso kg.: 5,955

colore: grigio

**LF0/324**

O.E.: 1404997

RH

weight kg.: 5,955

color: grey



**LF0/325**

O.E.: 1404998

sinistro

peso kg.: 6,070

colore: grigio

**LF0/325**

O.E.: 1404998

LH

weight kg.: 6,070

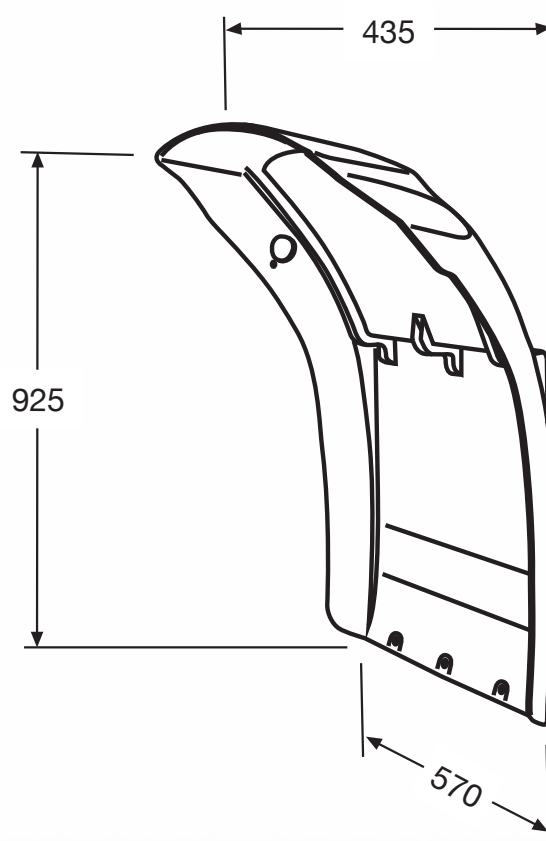
color: grey







LF0/324-325



Adattabile a: **DAF**  
Suitable to: **DAF**

**LF45-55**

- **Materiale: SMC**
- **Material: SMC**

**LF0/320**

O.E.: 1405002

destro

peso kg.: 4,02

colore: grigio

**LF0/320**

O.E.: 1405002

RH

weight kg.: 4,02

color: grey



**LF0/321**

O.E.: 1405003

sinistro

peso kg.: 4,535

colore: grigio

**LF0/321**

O.E.: 1405003

LH

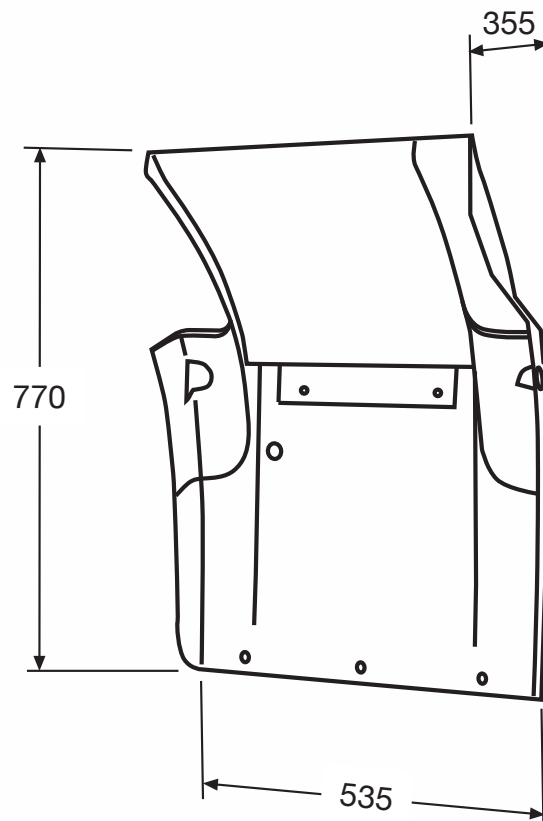
weight kg.: 4,535

color: grey





**LF0/320-321**



Adattabile a: **DAF**  
Suitable to: **DAF**

**LF45-55**

- **Materiale: SMC**
- **Material: SMC**

# A1 combinazione assembling

## calotta semipiatta TGX/520 top guard semi-flat TGX/520

**TGX/520**  
 O.E.: 81.66410.6606  
 destro|sinistro  
 peso kg.: 2,390  
 colore: grigio scuro  
 SEMIPIATTA  
 CON CINGHIETTI

**TGX/520**  
 O.E.: 81.66410.6606  
 RH|LH  
 weight kg.: 2,390  
 color: dark grey  
 SEMI-FLAT  
 WITH STRETCHERS

**TGX/543**  
 O.E.: 81.66410.6625  
 destro|sinistro  
 peso kg.: 4,000  
 colore: grigio scuro  
 SENZA ANTI-SPRAY  
 CON STAFFE

**TGX/543**  
 O.E.: 81.66410.6625  
 RH|LH  
 weight kg.: 4,000  
 color: dark grey  
 WITHOUT ANTI-SPRAY  
 WITH BRACKETS

**TGX/518**  
 O.E.: 81.66410.6604  
 destro|sinistro  
 peso kg.: 6,070  
 colore: grigio scuro  
 CON ANTI-SPRAY

**TGX/518**  
 O.E.: 81.66410.6604  
 RH|LH  
 weight kg.: 6,070  
 color: dark grey  
 WITH ANTI-SPRAY



**TGX/516**  
 O.E.: 81.66410.6599  
 destro|sinistro  
 peso kg.: 3,160  
 colore: grigio scuro  
 CON STAFFE

**TGX/516**  
 O.E.: 81.66410.6599  
 RH|LH  
 weight kg.: 3,160  
 color: dark grey  
 WITH BRACKETS



**TGX/517**  
 O.E.: 81.66410.6603  
 destro|sinistro  
 peso kg.: 5,635  
 colore: grigio scuro  
 CON ANTI-SPRAY

**TGX/517**  
 O.E.: 81.66410.6603  
 RH|LH  
 weight kg.: 5,635  
 color: dark grey  
 WITH ANTI-SPRAY



**TGX/536**  
 O.E.: 81.66410.6632  
 destro|sinistro  
 peso kg.: 6,510  
 colore: grigio scuro  
 CON ANTI-SPRAY

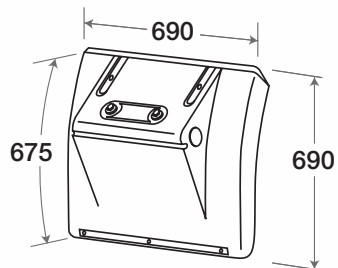
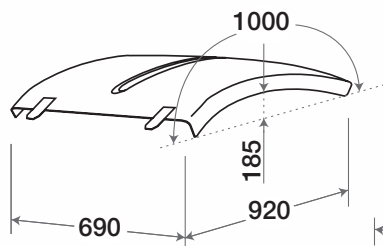
**TGX/536**  
 O.E.: 81.66410.6632  
 RH|LH  
 weight kg.: 6,510  
 color: dark grey  
 WITH ANTI-SPRAY



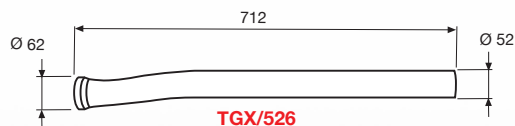
# parafanghi posteriori rear mudguards



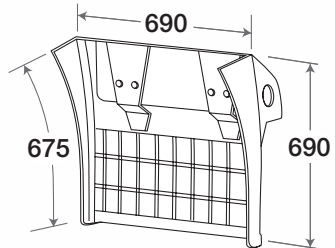
**TGX/520**



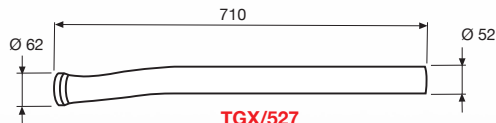
**TGX/516**



**TGX/526**

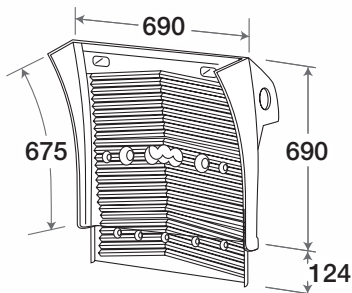


**TGX/543**

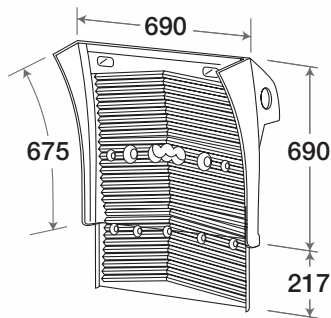


**TGX/527**

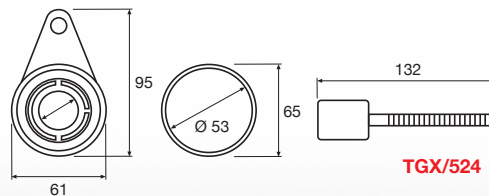
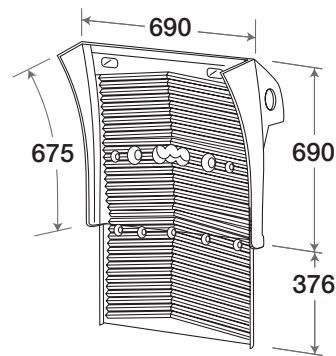
**TGX/517**



**TGX/518**



**TGX/536**



**TGX/524**

Adattabile a: **MAN**  
Suitable to:

**TGX**

adattabile a | adaptable to:

**TGX Euro 6**

**TGS**

**TGS Euro 6**

**TGA XLX-XXL**

- Applicabile al telaio con le seguenti staffe
- **TGX/524 (KIT)**
- **TGX/526-527**
- **Materiale: PP**
- Fits to the chassis with the brackets
- **TGX/524 (KIT)**
- **TGX/526-527**
- **Material: PP**



# A2 combinazione assembling

## calotta semipiatta TGX/530 top guard semi-flat TGX/530

**TGX/530**  
 O.E.: 81.66410.6607  
 destro|sinistro  
 peso kg.: 2,230  
 colore: grigio scuro  
 SEMIPIATTA  
 CON CINGHIETTI

**TGX/530**  
 O.E.: 81.66410.6607  
 RH|LH  
 weight kg.: 2,230  
 color: dark grey  
 SEMI-FLAT  
 WITH STRETCHERS

**TGX/543**  
 O.E.: 81.66410.6625  
 destro|sinistro  
 peso kg.: 4,000  
 colore: grigio scuro  
 SENZA ANTI-SPRAY  
 CON STAFFE

**TGX/543**  
 O.E.: 81.66410.6625  
 RH|LH  
 weight kg.: 4,000  
 color: dark grey  
 WITHOUT ANTI-SPRAY  
 WITH BRACKETS

**TGX/518**  
 O.E.: 81.66410.6604  
 destro|sinistro  
 peso kg.: 6,070  
 colore: grigio scuro  
 CON ANTI-SPRAY

**TGX/518**  
 O.E.: 81.66410.6604  
 RH|LH  
 weight kg.: 6,070  
 color: dark grey  
 WITH ANTI-SPRAY



**TGX/516**  
 O.E.: 81.66410.6599  
 destro|sinistro  
 peso kg.: 3,160  
 colore: grigio scuro  
 CON STAFFE

**TGX/516**  
 O.E.: 81.66410.6599  
 RH|LH  
 weight kg.: 3,160  
 color: dark grey  
 WITH BRACKETS



**TGX/517**  
 O.E.: 81.66410.6603  
 destro|sinistro  
 peso kg.: 5,635  
 colore: grigio scuro  
 CON ANTI-SPRAY

**TGX/517**  
 O.E.: 81.66410.6603  
 RH|LH  
 weight kg.: 5,635  
 color: dark grey  
 WITH ANTI-SPRAY



**TGX/536**  
 O.E.: 81.66410.6632  
 destro|sinistro  
 peso kg.: 6,510  
 colore: grigio scuro  
 CON ANTI-SPRAY

**TGX/536**  
 O.E.: 81.66410.6632  
 RH|LH  
 weight kg.: 6,510  
 color: dark grey  
 WITH ANTI-SPRAY





# parafanghi posteriori rear mudguards



Adattabile a: **MAN**  
Suitable to:

**TGX**

adattabile a | adaptable to:

**TGX Euro 6**

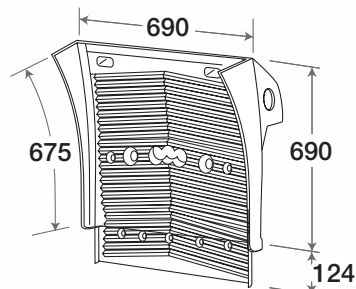
**TGS**

**TGS Euro 6**

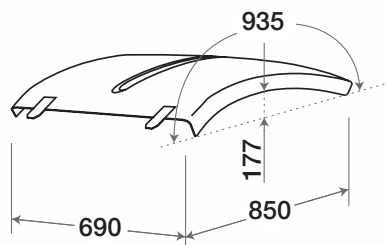
**TGA XLX-XXL**

- Applicabile al telaio con le seguenti staffe
- **TGX/524 (KIT)**
- **TGX/526-527**
- **Materiale: PP**
- Fits to the chassis with the brackets
- **TGX/524 (KIT)**
- **TGX/526-527**
- **Material: PP**

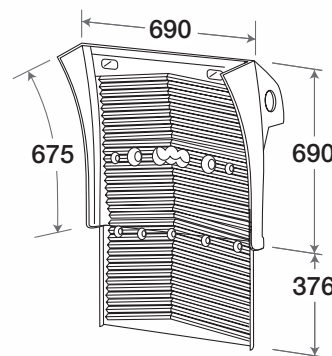
**TGX/517**



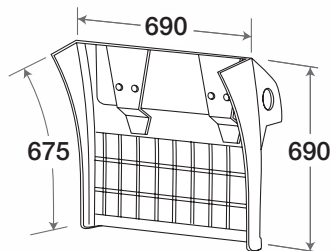
**TGX/530**



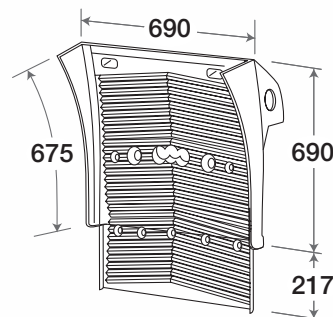
**TGX/536**



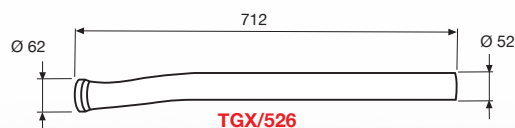
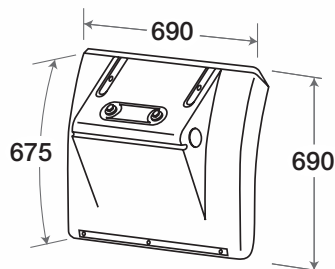
**TGX/543**



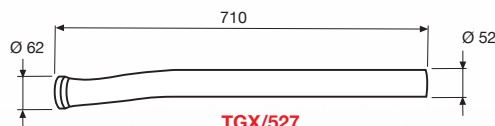
**TGX/518**



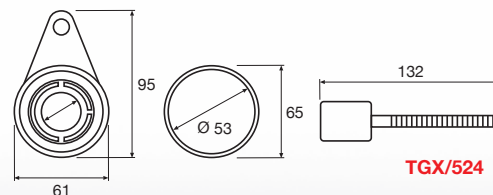
**TGX/516**



**TGX/526**



**TGX/527**



**TGX/524**

# B1 combinazione assembling

## 1° Asse 1<sup>st</sup> Axel

### TGX/520

O.E.: 81.66410.6606  
destro|sinistro  
peso kg.: 2,390  
colore: grigio scuro  
SEMIPIATTA  
CON CINGHIETTI

### TGX/520

O.E.: 81.66410.6606  
RH|LH  
weight kg.: 2,390  
color: dark grey  
SEMI-FLAT  
WITH STRETCHERS



### TGX/516

O.E.: 81.66410.6599  
destro|sinistro  
peso kg.: 3,160  
colore: grigio scuro  
CON STAFFE

### TGX/516

O.E.: 81.66410.6599  
RH|LH  
weight kg.: 3,160  
color: dark grey  
WITH BRACKETS



### TGX/519

O.E.: 81.66410.6600  
destro|sinistro  
peso kg.: 4,825  
colore: grigio scuro  
CON ANTI-SPRAY

### TGX/519

O.E.: 81.66410.6600  
RH|LH  
weight kg.: 4,825  
color: dark grey  
WITH ANTI-SPRAY

## 2° Asse 2<sup>nd</sup> Axel



### TGX/517

O.E.: 81.66410.6603  
destro|sinistro  
peso kg.: 5,635  
colore: grigio scuro  
CON ANTI-SPRAY

### TGX/517

O.E.: 81.66410.6603  
RH|LH  
weight kg.: 5,635  
color: dark grey  
WITH ANTI-SPRAY



### TGX/520

### TGX/532

O.E.: 81.66410.6631  
destro  
peso kg.: 3,075  
colore: grigio scuro

### TGX/532

O.E.: 81.66410.6599  
RH  
weight kg.: 3,090  
color: dark grey

### TGX/533

O.E.: 81.66410.6626  
sinistro  
peso kg.: 3,075  
colore: grigio scuro

### TGX/533

O.E.: 81.66410.6526  
LH  
weight kg.: 3,090  
color: dark grey

# parafanghi posteriori rear mudguards



Adattabile a: **MAN**  
Suitable to: **MAN**

**TGX**

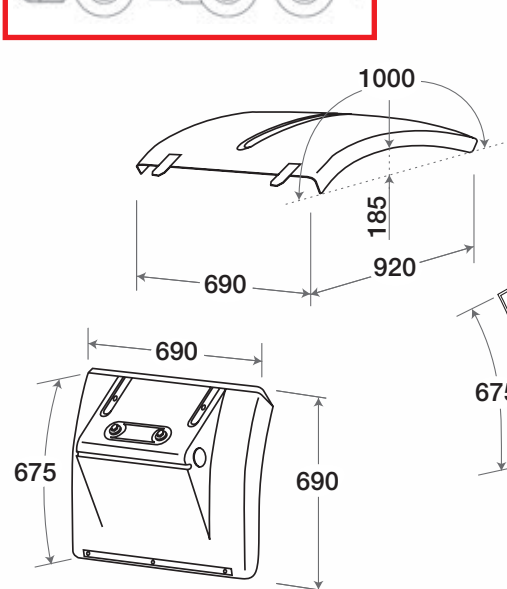
adattabile a | adaptable to:

**TGX Euro 6**

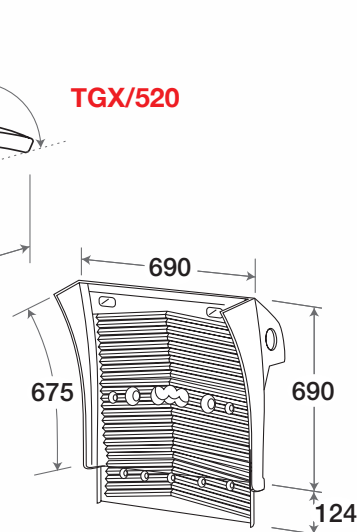
**TGS**

**TGS Euro 6**

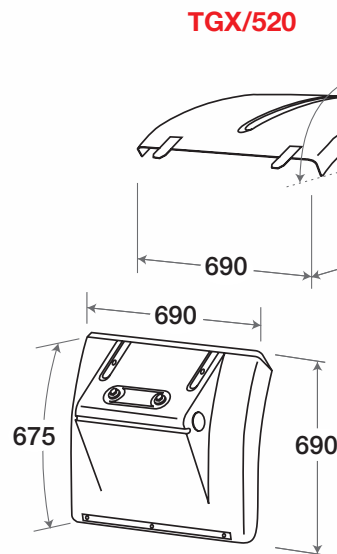
**TGA XLX-XXL**



**TGX/516**

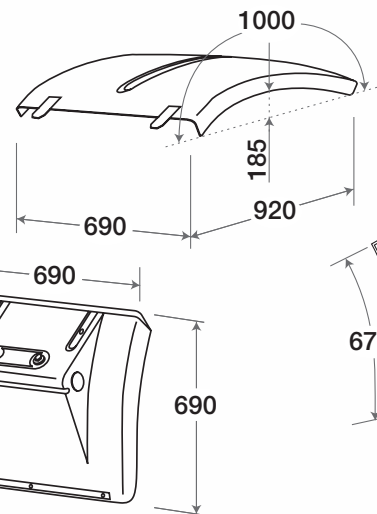


**TGX/519**



**TGX/532  
TGX/533**

**TGX/520**



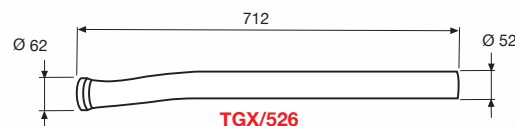
**TGX/517**

- Applicabile al telaio
- con le seguenti staffe
- **TGX/524 (KIT)**
- **TGX/526-527**

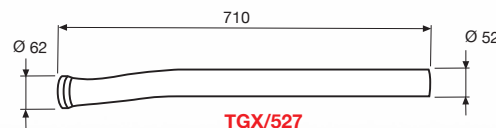
• **Materiale:** PP

- Fits to the chassis
- with the brackets
- **TGX/524 (KIT)**
- **TGX/526-527**

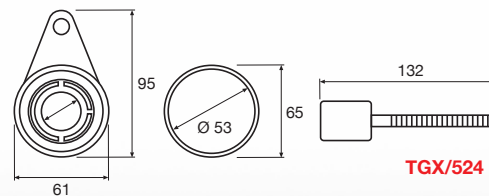
• **Material:** PP



**TGX/526**



**TGX/527**



**TGX/524**

# B2 combinazione assembling

## 1° Asse 1st Axle

<b>TGX/520</b>	<b>TGX/520</b>
O.E.: 81.66410.6606	O.E.: 81.66410.6606
destro sinistro	RH LH
peso kg.: 2,390	weight kg.: 2,390
colore: grigio scuro	color: dark grey
SEMIPIATTA	SEMI-FLAT
CON CINGHIETTI	WITH STRETCHERS



**TGX/512**  
O.E.: 81.66410.6601  
destro|sinistro  
peso kg.: 5,200  
colore: grigio scuro  
CON ANTI-SPRAY

**TGX/512**  
O.E.: 81.66410.6601  
RH|LH  
weight kg.: 5,200  
color: dark grey  
WITH ANTI-SPRAY



**TGX/516**  
O.E.: 81.66410.6599  
destro|sinistro  
peso kg.: 3,160  
colore: grigio scuro  
CON STAFFE

**TGX/516**  
O.E.: 81.66410.6599  
RH|LH  
weight kg.: 3,160  
color: dark grey  
WITH BRACKETS

## 2° Asse 2nd Axle



**TGX/520**

**TGX/518**  
O.E.: 81.66410.6604  
destro|sinistro  
peso kg.: 6,070  
colore: grigio scuro  
CON ANTI-SPRAY

**TGX/518**  
O.E.: 81.66410.6604  
destro|sinistro  
peso kg.: 6,070  
colore: grigio scuro  
CON ANTI-SPRAY



**TGX/532**  
O.E.: 81.66410.6631  
destro  
peso kg.: 3,075  
colore: grigio scuro

**TGX/533**  
O.E.: 81.66410.6626  
sinistro  
peso kg.: 3,075  
colore: grigio scuro

**TGX/532**  
O.E.: 81.66410.6599  
RH  
weight kg.: 3,090  
color: dark grey

**TGX/533**  
O.E.: 81.66410.6526  
LH  
weight kg.: 3,090  
color: dark grey



# parafanghi posteriori rear mudguards



Adattabile a: **MAN**  
Suitable to:

**TGX**

adattabile a | adaptable to:

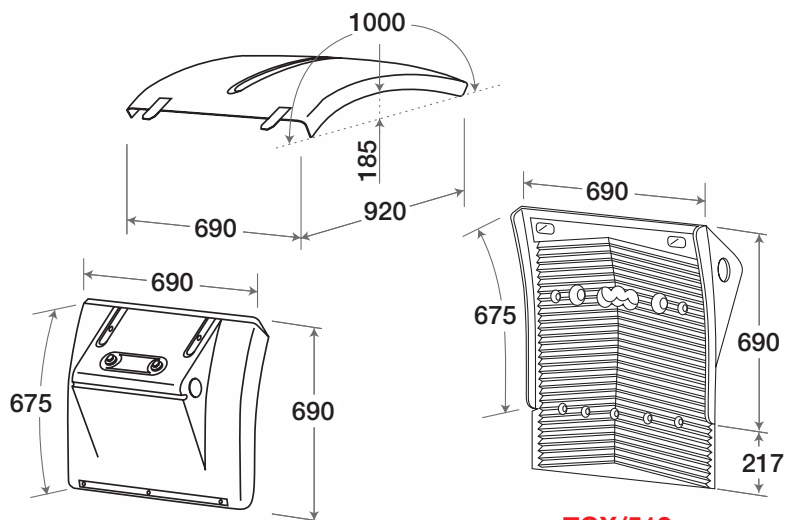
**TGX Euro 6**

**TGS**

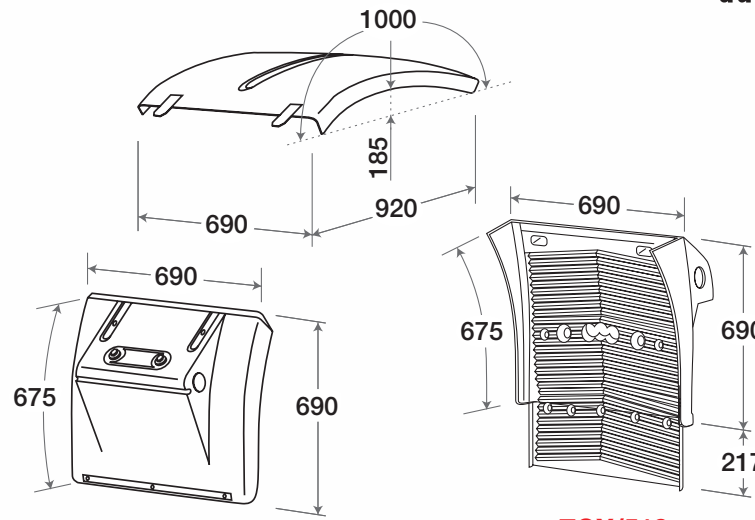
**TGS Euro 6**

**TGA XLX-XXL**

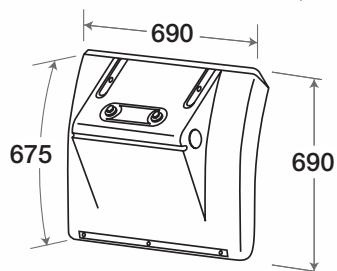
**TGX/520**



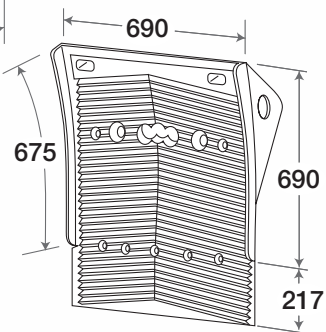
**TGX/520**



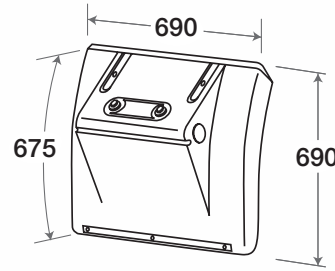
**TGX/516**



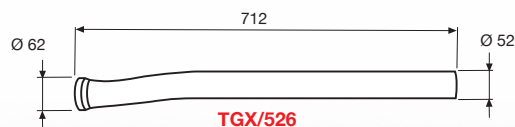
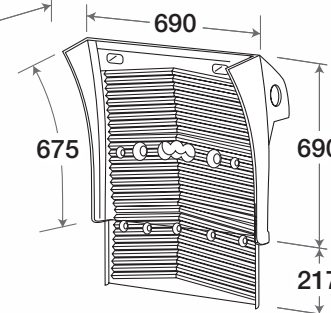
**TGX/512**



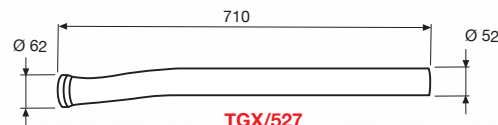
**TGX/532  
TGX/533**



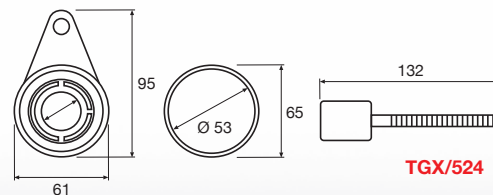
**TGX/518**



**TGX/526**



**TGX/527**



**TGX/524**

- Applicabile al telaio con le seguenti staffe
- **TGX/524 (KIT)**
- **TGX/526-527**
- **Materiale: PP**
- Fits to the chassis with the brackets
- **TGX/524 (KIT)**
- **TGX/526-527**
- **Material: PP**

# B3 combinazione assembling

## 1° Asse 1<sup>st</sup> Axle

**TGX/520**  
O.E.: 81.66410.6606  
destro|sinistro  
peso kg.: 2,390  
colore: grigio scuro  
SEMIPIATTA  
CON CINGHIETTI

**TGX/520**  
O.E.: 81.66410.6606  
RH|LH  
weight kg.: 2,390  
color: dark grey  
SEMI-FLAT  
WITH STRETCHERS



**TGX/537**  
O.E.: 81.66410.6633  
destro|sinistro  
peso kg.: 5,700  
colore: grigio scuro  
CON ANTI-SPRAY

**TGX/537**  
O.E.: 81.66410.6633  
RH|LH  
weight kg.: 5,700  
color: dark grey  
WITH ANTI-SPRAY

**TGX/516**  
O.E.: 81.66410.6599  
destro|sinistro  
peso kg.: 3,160  
colore: grigio scuro  
CON STAFFE

**TGX/516**  
O.E.: 81.66410.6599  
RH|LH  
weight kg.: 3,160  
color: dark grey  
WITH BRACKETS

## 2° Asse 2<sup>nd</sup> Axle

**TGX/520**



**TGX/536**  
O.E.: 81.66410.6632  
destro|sinistro  
peso kg.: 6,510  
colore: grigio scuro  
CON ANTI-SPRAY

**TGX/536**  
O.E.: 81.66410.6632  
RH|LH  
weight kg.: 6,510  
color: dark grey  
WITH ANTI-SPRAY

**TGX/532**  
O.E.: 81.66410.6631  
destro  
peso kg.: 3,075  
colore: grigio scuro

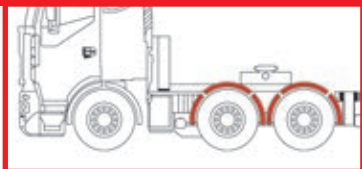
**TGX/532**  
O.E.: 81.66410.6599  
RH  
weight kg.: 3,090  
color: dark grey

**TGX/533**  
O.E.: 81.66410.6626  
sinistro  
peso kg.: 3,075  
colore: grigio scuro

**TGX/533**  
O.E.: 81.66410.6526  
LH  
weight kg.: 3,090  
color: dark grey



# parafanghi posteriori rear mudguards



Adattabile a: **MAN**  
Suitable to:

**TGX**

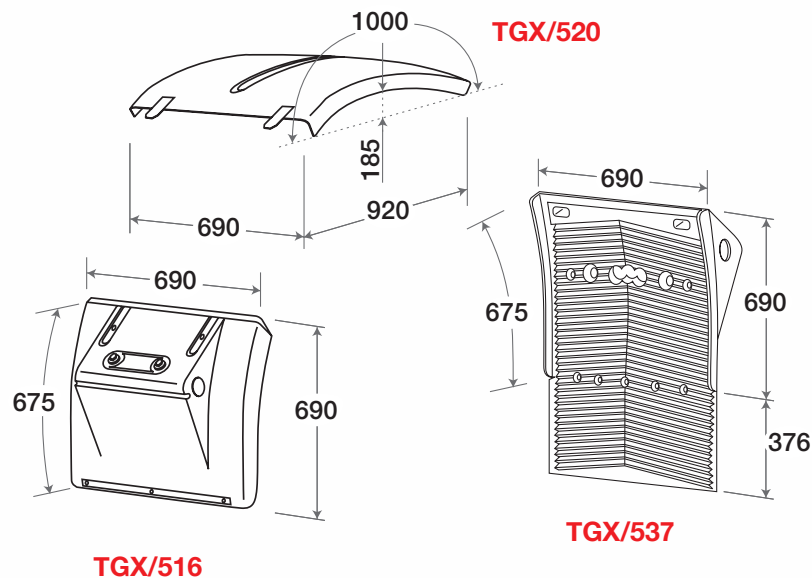
adattabile a | adaptable to:

**TGX Euro 6**

**TGS**

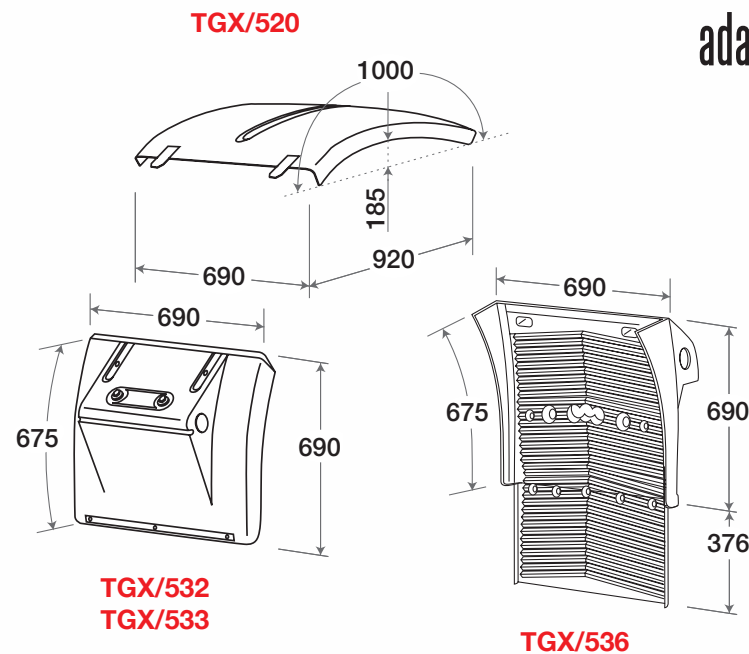
**TGS Euro 6**

**TGA XLX-XXL**



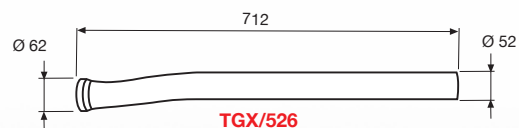
**TGX/516**

**TGX/537**

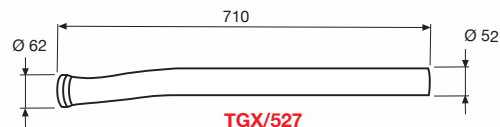


**TGX/532**  
**TGX/533**

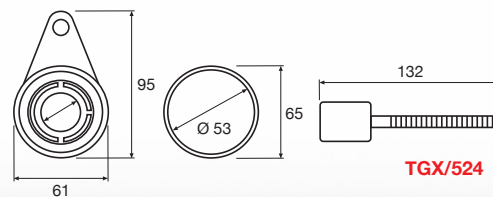
**TGX/536**



**TGX/526**



**TGX/527**



**TGX/524**

- Applicabile al telaio con le seguenti staffe
- **TGX/524 (KIT)**
- **TGX/526-527**
- **Materiale: PP**
- Fits to the chassis with the brackets
- **TGX/524 (KIT)**
- **TGX/526-527**
- **Material: PP**

# B4 combinazione assembling

## 1° Asse 1st Axel

### TGX/520

O.E.: 81.66410.6606  
destro|sinistro  
peso kg.: 2,390  
colore: grigio scuro  
SEMIPIATTA  
CON CINGHIETTI

### TGX/520

O.E.: 81.66410.6606  
RH|LH  
weight kg.: 2,390  
color: dark grey  
SEMI-FLAT  
WITH STRETCHERS



### TGX/528

O.E.: 81.66410.6630  
destro  
peso kg.: 5,615  
colore: grigio scuro  
CON ANTI-SPRAY

### TGX/529

O.E.: 81.66410.6629  
sinistro  
peso kg.: 5,615  
colore: grigio scuro  
CON ANTI-SPRAY

### TGX/528

O.E.: 81.66410.6630  
RH  
weight kg.: 5,615  
color: dark grey  
WITH ANTI-SPRAY

### TGX/529

O.E.: 81.66410.6629  
LH  
weight kg.: 5,615  
color: dark grey  
WITH ANTI-SPRAY

### TGX/516

O.E.: 81.66410.6599  
destro|sinistro  
peso kg.: 3,160  
colore: grigio scuro  
CON STAFFE

### TGX/516

O.E.: 81.66410.6599  
RH|LH  
weight kg.: 3,160  
color: dark grey  
WITH BRACKETS

## 2° Asse 2nd Axel

### TGX/520



### TGX/536

O.E.: 81.66410.6632  
destro|sinistro  
peso kg.: 6,510  
colore: grigio scuro  
CON ANTI-SPRAY

### TGX/536

O.E.: 81.66410.6632  
RH|LH  
weight kg.: 6,510  
color: dark grey  
WITH ANTI-SPRAY

### TGX/532

O.E.: 81.66410.6631  
destro  
peso kg.: 3,075  
colore: grigio scuro

### TGX/533

O.E.: 81.66410.6626  
sinistro  
peso kg.: 3,075  
colore: grigio scuro

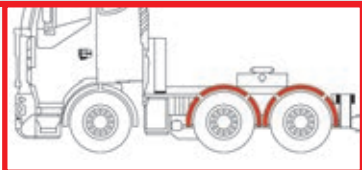
### TGX/532

O.E.: 81.66410.6599  
RH  
weight kg.: 3,090  
color: dark grey

### TGX/533

O.E.: 81.66410.6526  
LH  
weight kg.: 3,090  
color: dark grey

# parafanghi posteriori rear mudguards



Adattabile a: **MAN**  
Suitable to:

**TGX**

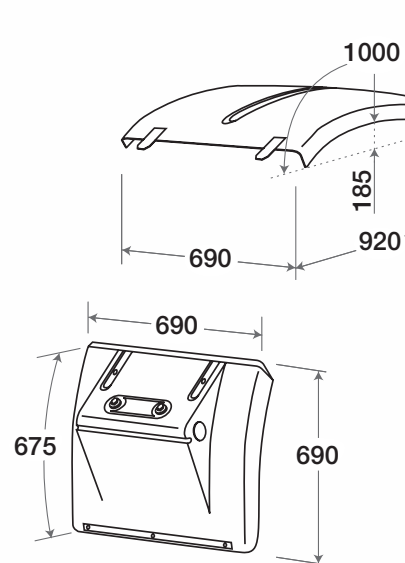
adattabile a | adaptable to:

**TGX Euro 6**

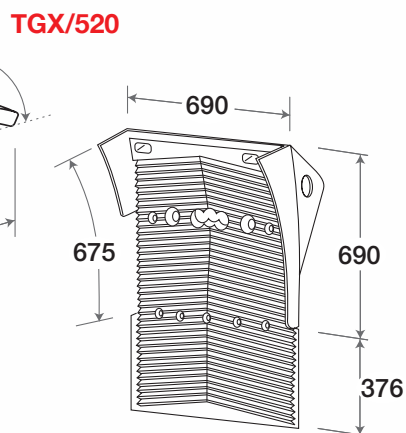
**TGS**

**TGS Euro 6**

**TGA XLX-XXL**

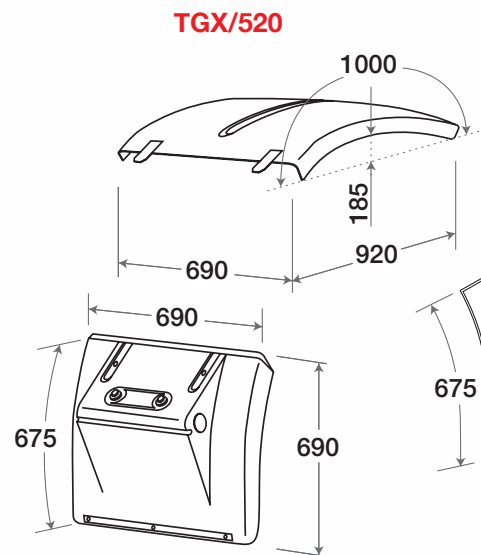


**TGX/516**



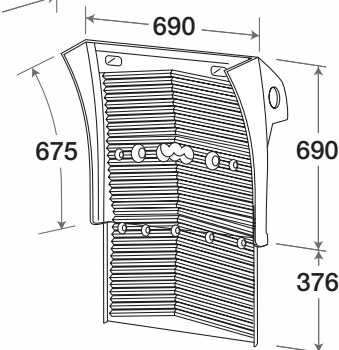
**TGX/520**

**TGX/528  
TGX/529**

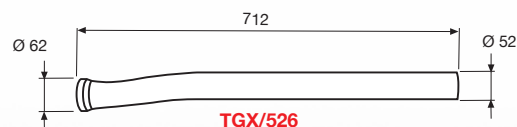


**TGX/520**

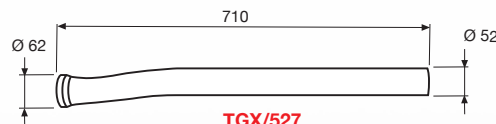
**TGX/532  
TGX/533**



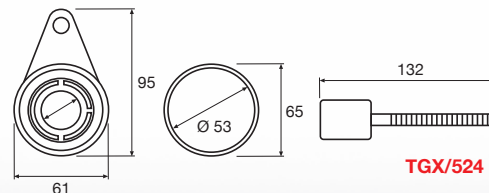
**TGX/536**



**TGX/526**



**TGX/527**



**TGX/524**

- Applicabile al telaio con le seguenti staffe
- **TGX/524 (KIT)**
- **TGX/526-527**
- **Materiale: PP**
- Fits to the chassis with the brackets
- **TGX/524 (KIT)**
- **TGX/526-527**
- **Material: PP**

# C1 combinazione assembling

## 1° Asse 1st Axel

<b>TGX/530</b>	<b>TGX/530</b>
O.E.: 81.66410.6607	O.E.: 81.66410.6607
destra sinistra	RH LH
peso kg.: 2,230	weight kg.: 2,230
colore: grigio scuro	color: dark grey
SEMIPIATTA	SEMI-FLAT
CON CINGHIETTI	WITH STRETCHERS



**TGX/516**  
O.E.: 81.66410.6599  
destra|sinistra  
peso kg.: 3,160  
colore: grigio scuro  
CON STAFFE

**TGX/516**  
O.E.: 81.66410.6599  
RH|LH  
weight kg.: 3,160  
color: dark grey  
WITH BRACKETS



**TGX/519**  
O.E.: 81.66410.6600  
destra|sinistra  
peso kg.: 4,825  
colore: grigio scuro  
CON ANTI-SPRAY

**TGX/519**  
O.E.: 81.66410.6600  
RH|LH  
weight kg.: 4,825  
color: dark grey  
WITH ANTI-SPRAY

## 2° Asse 2nd Axel



**TGX/530**

**TGX/532**  
O.E.: 81.66410.6631  
destra  
peso kg.: 3,075  
colore: grigio scuro

**TGX/532**  
O.E.: 81.66410.6599  
RH  
weight kg.: 3,090  
color: dark grey

**TGX/533**  
O.E.: 81.66410.6626  
sinistra  
peso kg.: 3,075  
colore: grigio scuro

**TGX/533**  
O.E.: 81.66410.6526  
LH  
weight kg.: 3,090  
color: dark grey



**TGX/517**  
O.E.: 81.66410.6603  
destra|sinistra  
peso kg.: 5,635  
colore: grigio scuro  
CON ANTI-SPRAY

**TGX/517**  
O.E.: 81.66410.6603  
RH|LH  
weight kg.: 5,635  
color: dark grey  
WITH ANTI-SPRAY



# parafanghi posteriori rear mudguards



Adattabile a: **MAN**  
Suitable to: **MAN**

**TGX**

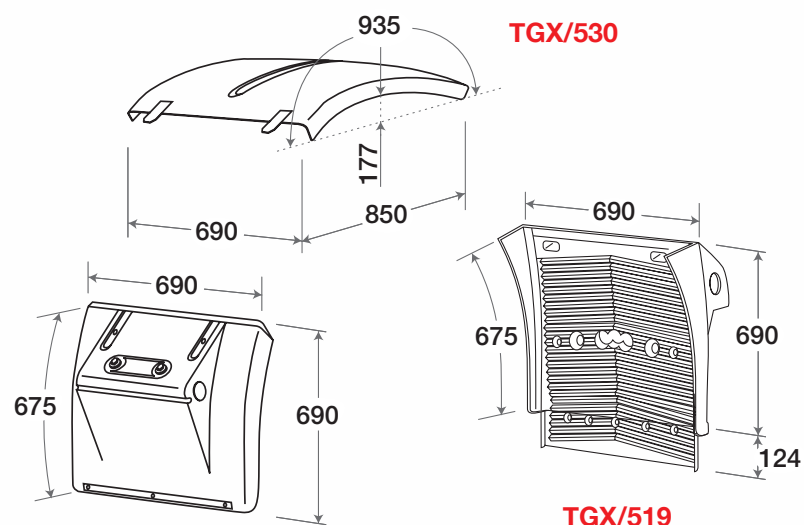
adattabile a | adaptable to:

**TGX Euro 6**

**TGS**

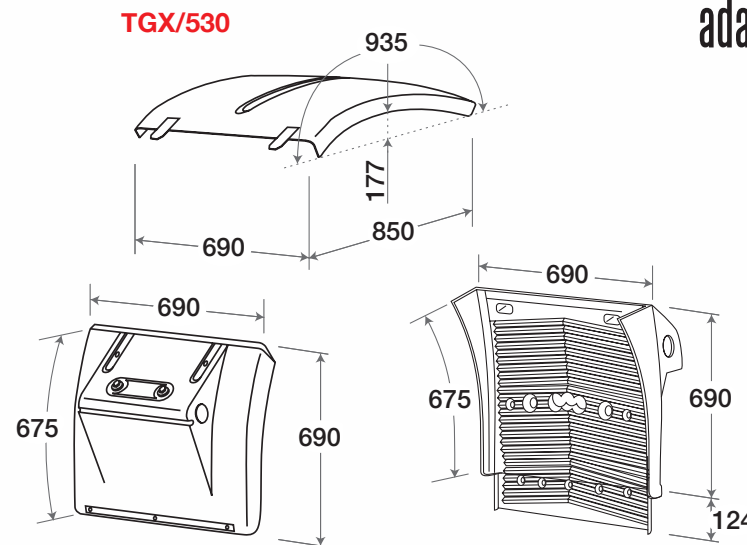
**TGS Euro 6**

**TGA XLX-XXL**



**TGX/530**

**TGX/519**

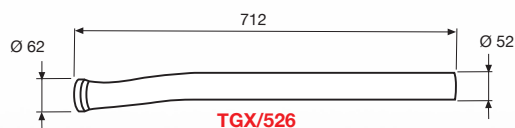


**TGX/530**

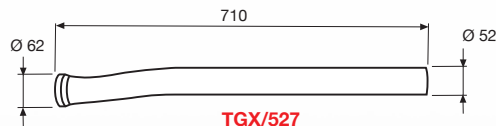
**TGX/532  
TGX/533**

**TGX/517**

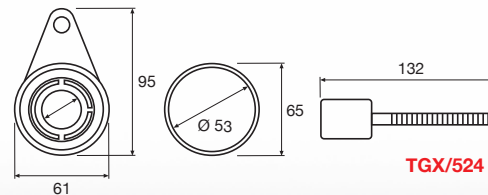
**TGX/516**



**TGX/526**



**TGX/527**



**TGX/524**

- Applicabile al telaio con le seguenti staffe
- **TGX/524 (KIT)**
- **TGX/526-527**
- **Materiale: PP**
- Fits to the chassis with the brackets
- **TGX/524 (KIT)**
- **TGX/526-527**
- **Material: PP**

# C2 combinazione assembling

## 1° Asse 1st Axel

<b>TGX/530</b>	<b>TGX/530</b>
O.E.: 81.66410.6607	O.E.: 81.66410.6607
destro sinistro	RH LH
peso kg.: 2,230	weight kg.: 2,230
colore: grigio scuro	color: dark grey
SEMIPIATTA	SEMI-FLAT
CON CINGHIETTI	WITH STRETCHERS



**TGX/512**  
O.E.: 81.66410.6601  
destro|sinistro  
peso kg.: 5,200  
colore: grigio scuro  
CON ANTI-SPRAY

**TGX/512**  
O.E.: 81.66410.6601  
RH|LH  
weight kg.: 5,200  
color: dark grey  
WITH ANTI-SPRAY

**TGX/516**  
O.E.: 81.66410.6599  
destro|sinistro  
peso kg.: 3,160  
colore: grigio scuro  
CON STAFFE

**TGX/516**  
O.E.: 81.66410.6599  
RH|LH  
weight kg.: 3,160  
color: dark grey  
WITH BRACKETS

## 2° Asse 2nd Axel



**TGX/530**



**TGX/518**  
O.E.: 81.66410.6604  
destro|sinistro  
peso kg.: 6,070  
colore: grigio scuro  
CON ANTI-SPRAY

**TGX/518**  
O.E.: 81.66410.6604  
destro|sinistro  
peso kg.: 6,070  
colore: grigio scuro  
CON ANTI-SPRAY

**TGX/532**  
O.E.: 81.66410.6631  
destro  
peso kg.: 3,075  
colore: grigio scuro

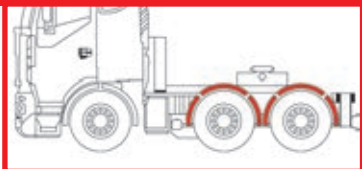
**TGX/533**  
O.E.: 81.66410.6626  
sinistro  
peso kg.: 3,075  
colore: grigio scuro

**TGX/532**  
O.E.: 81.66410.6599  
RH  
weight kg.: 3,090  
color: dark grey

**TGX/533**  
O.E.: 81.66410.6526  
LH  
weight kg.: 3,090  
color: dark grey



# parafanghi posteriori rear mudguards



Adattabile a: **MAN**  
Suitable to: **MAN**

**TGX**

adattabile a | adaptable to:

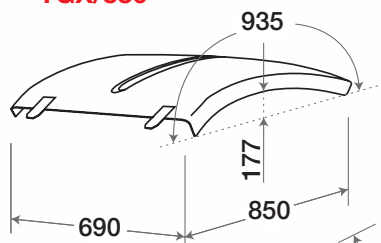
**TGX Euro 6**

**TGS**

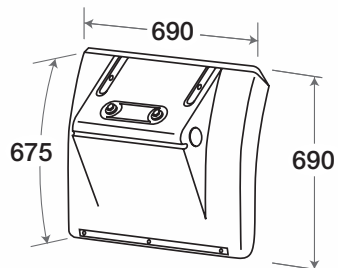
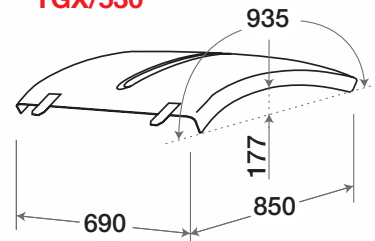
**TGS Euro 6**

**TGA XLX-XXL**

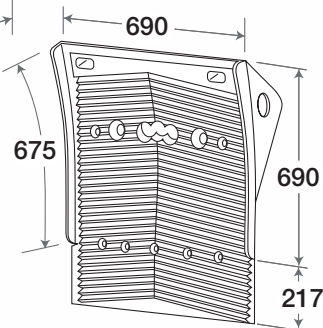
**TGX/530**



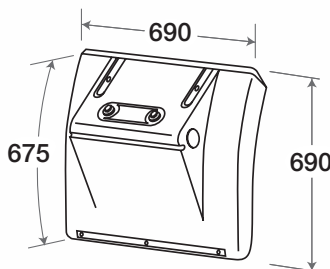
**TGX/530**



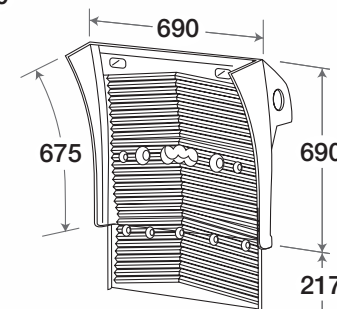
**TGX/516**



**TGX/512**



**TGX/532**  
**TGX/533**



**TGX/518**

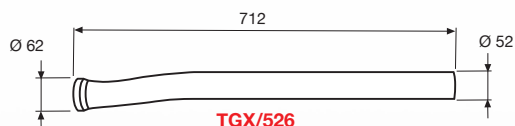
- Applicabile al telaio con le seguenti staffe
- **TGX/524 (KIT)**
- **TGX/526-527**

• **Materiale: PP**

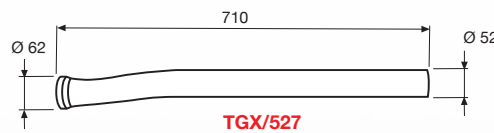
• Fits to the chassis with the brackets

- **TGX/524 (KIT)**
- **TGX/526-527**

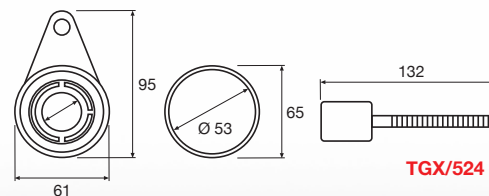
• **Material: PP**



**TGX/526**



**TGX/527**



**TGX/524**

# C3 combinazione assembling

## 1° Asse 1<sup>st</sup> Axel

<b>TGX/530</b>	<b>TGX/530</b>
O.E.: 81.66410.6607	O.E.: 81.66410.6607
destro sinistro	RH LH
peso kg.: 2,230	weight kg.: 2,230
colore: grigio scuro	color: dark grey
SEMIPIATTA	SEMI-FLAT
CON CINGHIETTI	WITH STRETCHERS



**TGX/537**  
O.E.: 81.66410.6632  
destro|sinistro  
peso kg.: 5,700  
colore: grigio scuro  
CON ANTI-SPRAY

**TGX/537**  
O.E.: 81.66410.6633  
RH|LH  
weight kg.: 5,700  
color: dark grey  
WITH ANTI-SPRAY

**TGX/516**  
O.E.: 81.66410.6599  
destro|sinistro  
peso kg.: 3,160  
colore: grigio scuro  
CON STAFFE

**TGX/516**  
O.E.: 81.66410.6599  
RH|LH  
weight kg.: 3,160  
color: dark grey  
WITH BRACKETS

## 2° Asse 2<sup>nd</sup> Axel

**TGX/530**



**TGX/536**  
O.E.: 81.66410.6632  
destro|sinistro  
peso kg.: 6,510  
colore: grigio scuro  
CON ANTI-SPRAY

**TGX/536**  
O.E.: 81.66410.6632  
RH|LH  
weight kg.: 6,510  
color: dark grey  
WITH ANTI-SPRAY

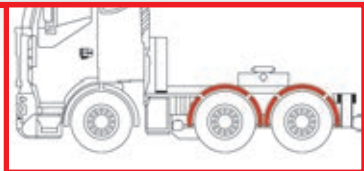
**TGX/532**  
O.E.: 81.66410.6631  
destro  
peso kg.: 3,075  
colore: grigio scuro

**TGX/533**  
O.E.: 81.66410.6626  
sinistro  
peso kg.: 3,075  
colore: grigio scuro

**TGX/532**  
O.E.: 81.66410.6599  
RH  
weight kg.: 3,090  
color: dark grey

**TGX/533**  
O.E.: 81.66410.6526  
LH  
weight kg.: 3,090  
color: dark grey

# parafanghi posteriori rear mudguards



Adattabile a: **MAN**  
Suitable to:

**TGX**

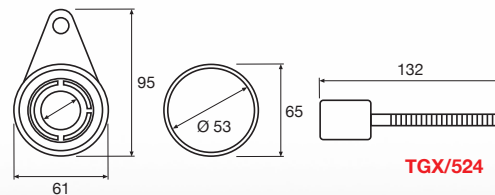
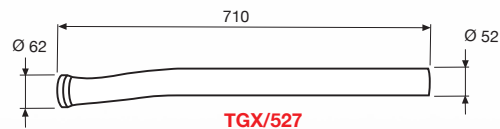
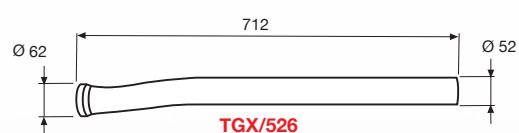
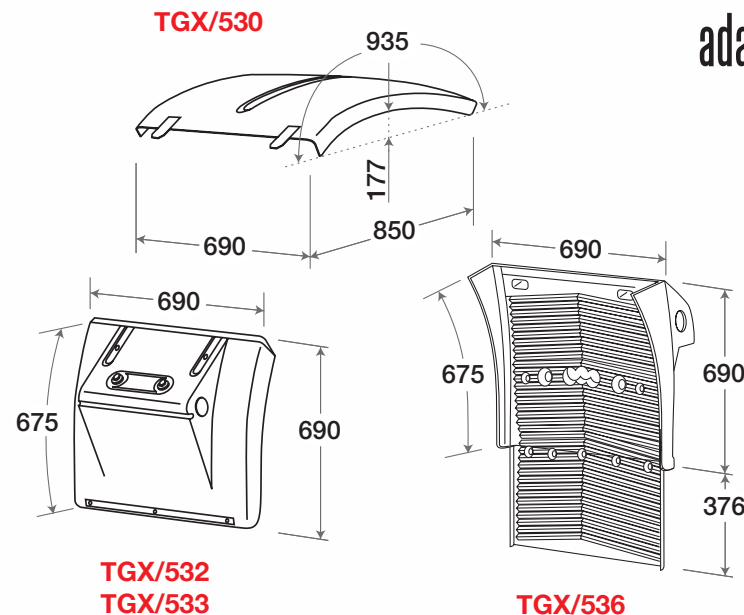
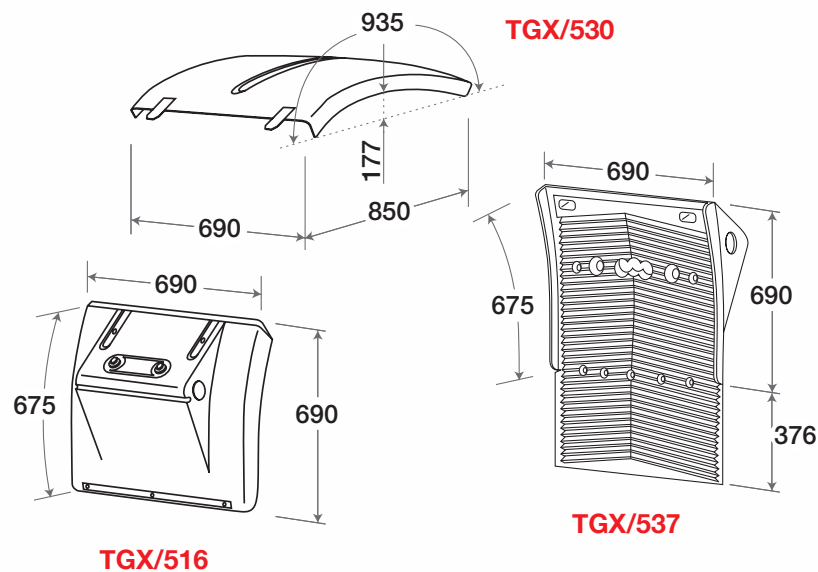
adattabile a | adaptable to:

**TGX Euro 6**

**TGS**

**TGS Euro 6**

**TGA XLX-XXL**



- Applicabile al telaio con le seguenti staffe
- **TGX/524 (KIT)**
- **TGX/526-527**
- **Materiale: PP**
- Fits to the chassis with the brackets
- **TGX/524 (KIT)**
- **TGX/526-527**
- **Material: PP**

# C4 combinazione assembling

## 1° Asse 1st Axel

**TGX/530**  
 O.E.: 81.66410.6607  
 destro|sinistro  
 peso kg.: 2,230  
 colore: grigio scuro  
 SEMIPIATTA  
 CON CINGHIETTI

**TGX/530**  
 O.E.: 81.66410.6607  
 RH|LH  
 weight kg.: 2,230  
 color: dark grey  
 SEMI-FLAT  
 WITH STRETCHERS



**TGX/516**  
 O.E.: 81.66410.6599  
 destro|sinistro  
 peso kg.: 3,160  
 colore: grigio scuro  
 CON STAFFE



**TGX/528**  
 O.E.: 81.66410.6630  
 destro  
 peso kg.: 5,615  
 colore: grigio scuro  
 CON ANTI-SPRAY

**TGX/528**  
 O.E.: 81.66410.6630  
 RH  
 weight kg.: 5,615  
 color: dark grey  
 WITH ANTI-SPRAY

**TGX/529**  
 O.E.: 81.66410.6629  
 sinistro  
 peso kg.: 5,615  
 colore: grigio scuro  
 CON ANTI-SPRAY

**TGX/529**  
 O.E.: 81.66410.6629  
 LH  
 weight kg.: 5,615  
 color: dark grey  
 WITH ANTI-SPRAY

**TGX/516**  
 O.E.: 81.66410.6599  
 RH|LH  
 weight kg.: 3,160  
 color: dark grey  
 WITH BRACKETS

## 2° Asse 2nd Axel

**TGX/530**



**TGX/532**  
 O.E.: 81.66410.6631  
 destro  
 peso kg.: 3,075  
 colore: grigio scuro

**TGX/532**  
 O.E.: 81.66410.6599  
 RH  
 weight kg.: 3,090  
 color: dark grey



**TGX/536**  
 O.E.: 81.66410.6632  
 destro|sinistro  
 peso kg.: 6,510  
 colore: grigio scuro  
 CON ANTI-SPRAY

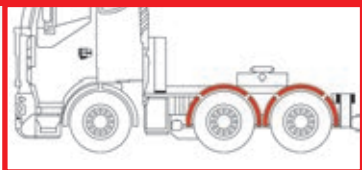
**TGX/536**  
 O.E.: 81.66410.6632  
 RH|LH  
 weight kg.: 6,510  
 color: dark grey  
 WITH ANTI-SPRAY

**TGX/533**  
 O.E.: 81.66410.6626  
 sinistro  
 peso kg.: 3,075  
 colore: grigio scuro

**TGX/533**  
 O.E.: 81.66410.6526  
 LH  
 weight kg.: 3,090  
 color: dark grey



# parafanghi posteriori rear mudguards



Adattabile a: **MAN**  
Suitable to:

**TGX**

adattabile a | adaptable to:

**TGX Euro 6**

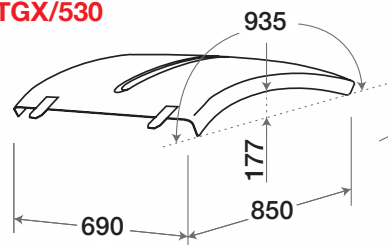
**TGS**

**TGS Euro 6**

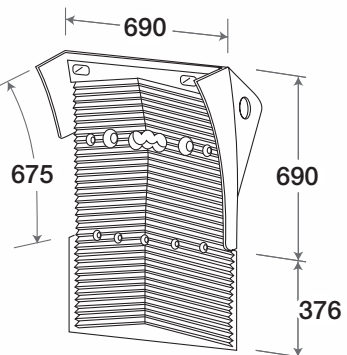
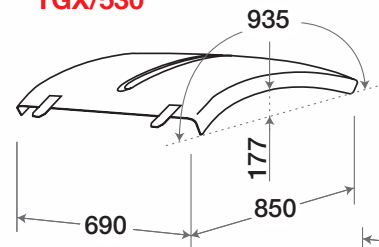
**TGA XLX-XXL**

- Applicabile al telaio con le seguenti staffe
- **TGX/524 (KIT)**
- **TGX/526-527**
- **Materiale: PP**
- Fits to the chassis with the brackets
- **TGX/524 (KIT)**
- **TGX/526-527**
- **Material: PP**

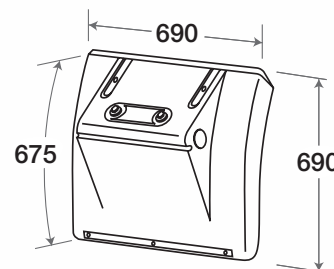
**TGX/530**



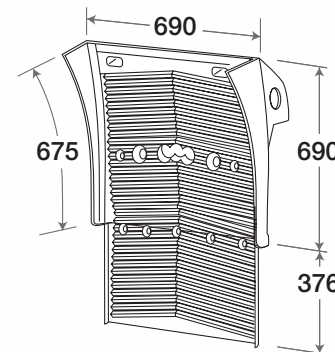
**TGX/530**



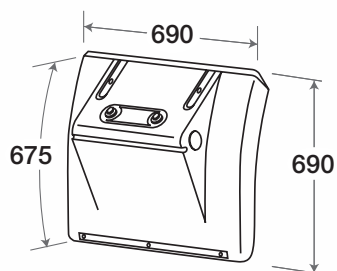
**TGX/528**  
**TGX/529**



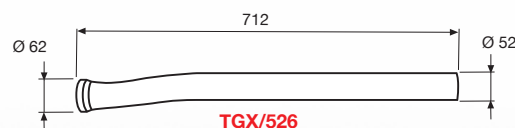
**TGX/532**  
**TGX/533**



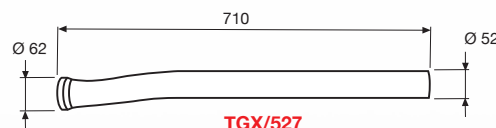
**TGX/536**



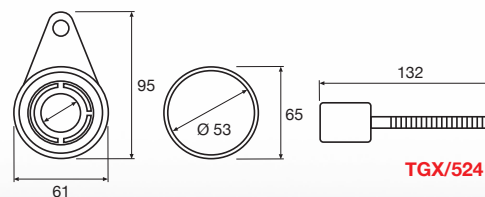
**TGX/516**



**TGX/526**



**TGX/527**



**TGX/524**



# D1 combinazione assembling

## 1° Asse 1<sup>st</sup> Axel

<b>TGX/520</b>	<b>TGX/520</b>
O.E.: 81.66410.6606	O.E.: 81.66410.6606
destro sinistro	RH LH
peso kg.: 2,390	weight kg.: 2,390
colore: grigio scuro	color: dark grey
SEMIPIATTA	SEMI-FLAT
CON CINGHIETTI	WITH STRETCHERS



**TGX/516**  
O.E.: 81.66410.6599  
destro|sinistro  
peso kg.: 3,160  
colore: grigio scuro  
CON STAFFE

**TGX/516**  
O.E.: 81.66410.6599  
RH|LH  
weight kg.: 3,160  
color: dark grey  
WITH BRACKETS



**TGX/519**  
O.E.: 81.66410.6600  
destro|sinistro  
peso kg.: 4,825  
colore: grigio scuro  
CON ANTI-SPRAY

**TGX/519**  
O.E.: 81.66410.6600  
RH|LH  
weight kg.: 4,825  
color: dark grey  
WITH ANTI-SPRAY

## 2° Asse 2<sup>nd</sup> Axel

- **TGX/525**
- O.E.: 81.66410.6612
- destro|sinistro
- peso kg.: 1,930
- colore: grigio scuro
- SEMIPIATTA
- CON CINGHIETTI

**TGX/525**  
O.E.: 81.66410.6612  
RH|LH  
weight kg.: 1,930  
color: dark grey  
SEMI-FLAT  
WITH STRETCHERS



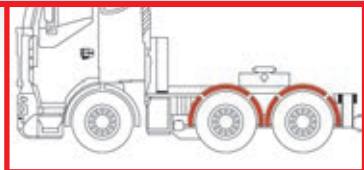
**TGX/513**  
O.E.: 81.66410.6608  
destro|sinistro  
peso kg.: 2,810  
colore: grigio scuro  
CON STAFFE

**TGX/513**  
O.E.: 81.66410.6608  
RH|LH  
weight kg.: 2,810  
color: dark grey  
WITH BRACKETS

**TGX/540**  
O.E.: 81.66410.6609  
destro|sinistro  
peso kg.: 3,975  
colore: grigio scuro  
CON ANTI-SPRAY

**TGX/540**  
O.E.: 81.66410.6609  
RH|LH  
weight kg.: 3,975  
color: dark grey  
WITH ANTI-SPRAY

# parafanghi posteriori rear mudguards



Adattabile a: **MAN**  
Suitable to:

**TGX**

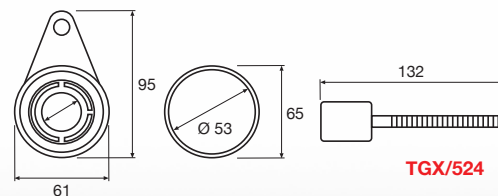
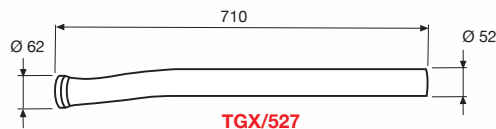
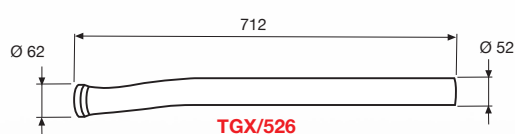
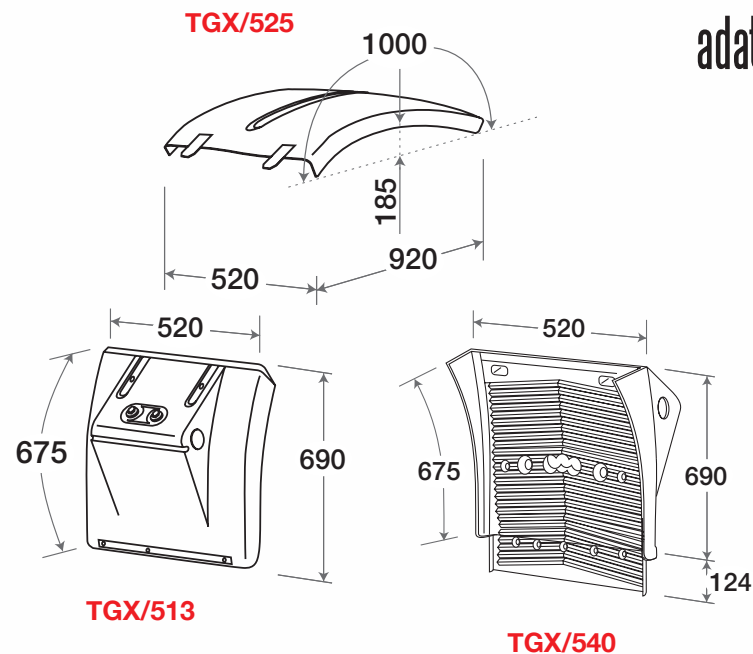
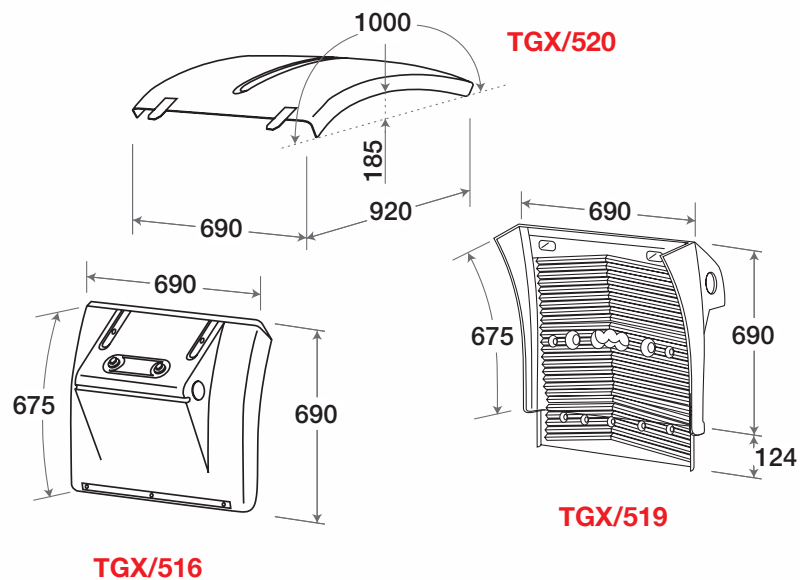
adattabile a | adaptable to:

**TGX Euro 6**

**TGS**

**TGS Euro 6**

**TGA XLX-XXL**



- Applicabile al telaio con le seguenti staffe
- **TGX/524 (KIT)**
- **TGX/526-527**
- **Materiale: PP**
- Fits to the chassis with the brackets
- **TGX/524 (KIT)**
- **TGX/526-527**
- **Material: PP**

# D2 combinazione assembling

## 1° Asse 1<sup>st</sup> Axel

<b>TGX/520</b>	<b>TGX/520</b>
O.E.: 81.66410.6606	O.E.: 81.66410.6606
destro sinistro	RH LH
peso kg.: 2,390	weight kg.: 2,390
colore: grigio scuro	color: dark grey
SEMIPIATTA	SEMI-FLAT
CON CINGHIETTI	WITH STRETCHERS



**TGX/512**  
O.E.: 81.66410.6601  
destro|sinistro  
peso kg.: 5,200  
colore: grigio scuro  
CON ANTI-SPRAY

**TGX/512**  
O.E.: 81.66410.6601  
RH|LH  
weight kg.: 5,200  
color: dark grey  
WITH ANTI-SPRAY

**TGX/516**  
O.E.: 81.66410.6599  
destro|sinistro  
peso kg.: 3,160  
colore: grigio scuro  
CON STAFFE

**TGX/516**  
O.E.: 81.66410.6599  
RH|LH  
weight kg.: 3,160  
color: dark grey  
WITH BRACKETS

## 2° Asse 2<sup>nd</sup> Axel

- **TGX/525**
- O.E.: 81.66410.6612
- destro|sinistro
- peso kg.: 1,930
- colore: grigio scuro
- SEMIPIATTA
- CON CINGHIETTI

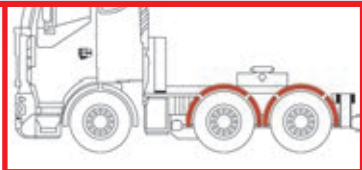
**TGX/525**  
O.E.: 81.66410.6612  
RH|LH  
weight kg.: 1,930  
color: dark grey  
SEMI-FLAT  
WITH STRETCHERS



- **TGX/513**
- O.E.: 81.66410.6608
- destro|sinistro
- peso kg.: 2,810
- colore: grigio scuro
- CON STAFFE

**TGX/513**  
O.E.: 81.66410.6608  
RH|LH  
weight kg.: 2,810  
color: dark grey  
WITH BRACKETS

# parafanghi posteriori rear mudguards



Adattabile a: **MAN**  
Suitable to: **MAN**

**TGX**

adattabile a | adaptable to:

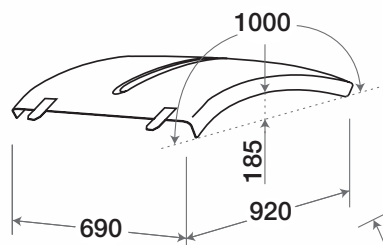
**TGX Euro 6**

**TGS**

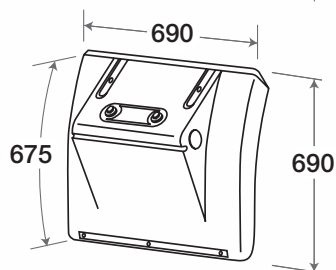
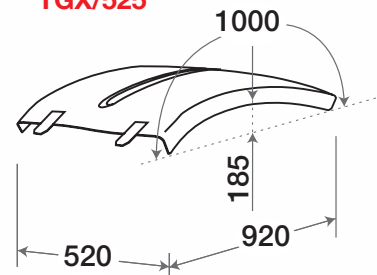
**TGS Euro 6**

**TGA XLX-XXL**

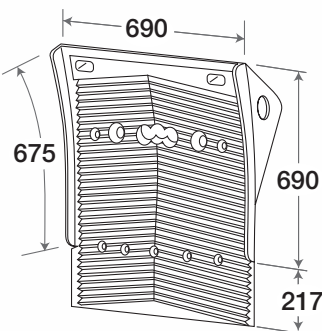
**TGX/520**



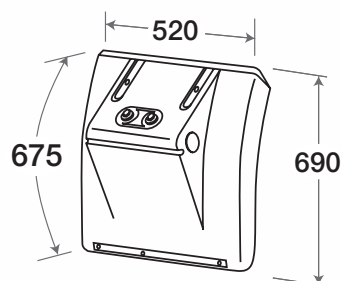
**TGX/525**



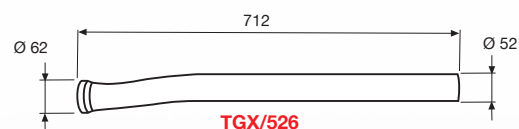
**TGX/516**



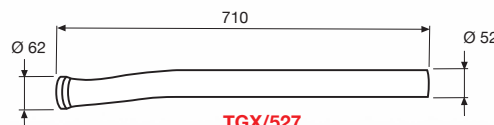
**TGX/512**



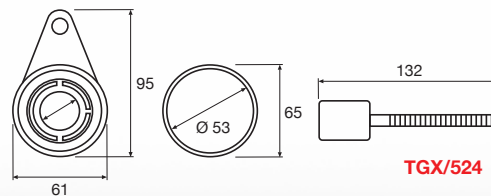
**TGX/513**



**TGX/526**



**TGX/527**



**TGX/524**

- Applicabile al telaio
- con le seguenti staffe
- **TGX/524 (KIT)**
- **TGX/526-527**
- **Materiale: PP**
- Fits to the chassis
- with the brackets
- **TGX/524 (KIT)**
- **TGX/526-527**
- **Material: PP**



# D3 combinazione assembling

## 1° Asse 1st Axle

- **TGX/520**
- O.E.: 81.66410.6606
- destro|sinistro
- peso kg.: 2,390
- colore: grigio scuro
- SEMIPIATTA
- CON CINGHIETTI
- 

- TGX/520**
- O.E.: 81.66410.6606
- RH|LH
- weight kg.: 2,390
- color: dark grey
- SEMI-FLAT
- WITH STRETCHERS



- **TGX/537**
- O.E.: 81.66410.6633
- destro|sinistro
- peso kg.: 5,700
- colore: grigio scuro
- CON ANTI-SPRAY

- **TGX/537**
- O.E.: 81.66410.6633
- RH|LH
- weight kg.: 5,700
- color: dark grey
- WITH ANTI-SPRAY



- **TGX/516**
- O.E.: 81.66410.6599
- destro|sinistro
- peso kg.: 3,160
- colore: grigio scuro
- CON STAFFE

- TGX/516**
- O.E.: 81.66410.6599
- RH|LH
- weight kg.: 3,160
- color: dark grey
- WITH BRACKETS

## 2° Asse 2nd Axle

- **TGX/525**
- O.E.: 81.66410.6612
- destro|sinistro
- peso kg.: 1,930
- colore: grigio scuro
- SEMIPIATTA
- CON CINGHIETTI
- 

- TGX/525**
- O.E.: 81.66410.6612
- RH|LH
- weight kg.: 1,930
- color: dark grey
- SEMI-FLAT
- WITH STRETCHERS

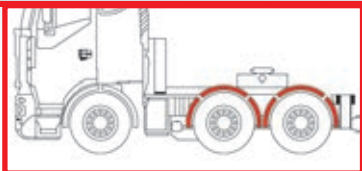


- **TGX/513**
- O.E.: 81.66410.6608
- destro|sinistro
- peso kg.: 2,810
- colore: grigio scuro
- CON STAFFE

- TGX/513**
- O.E.: 81.66410.6608
- RH|LH
- weight kg.: 2,810
- color: dark grey
- WITH BRACKETS



# parafanghi posteriori rear mudguards



Adattabile a: **MAN**  
Suitable to: **MAN**

**TGX**

adattabile a | adaptable to:

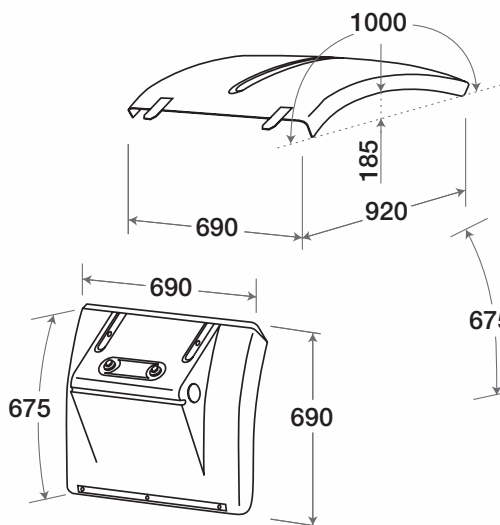
**TGX Euro 6**

**TGS**

**TGS Euro 6**

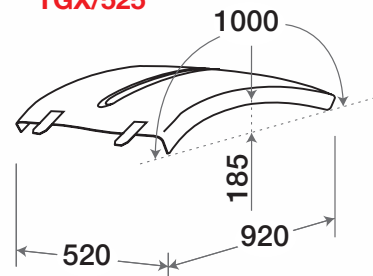
**TGA XLX-XXL**

**TGX/520**



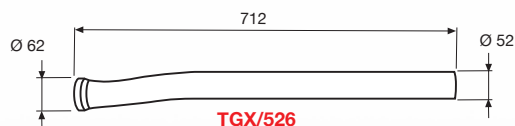
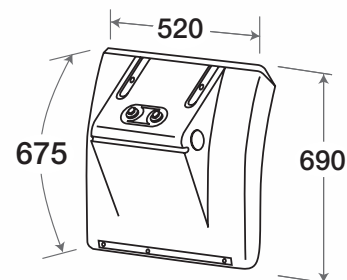
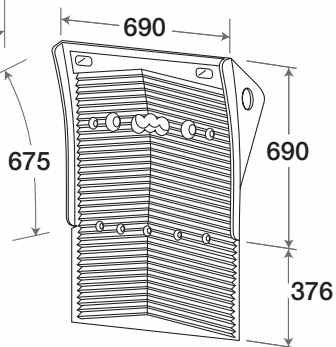
**TGX/516**

**TGX/525**

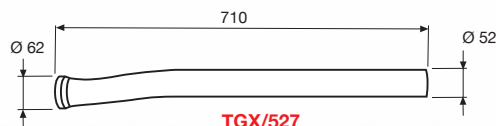


**TGX/513**

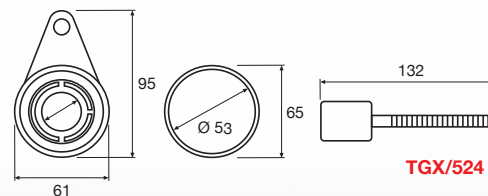
**TGX/537**



**TGX/526**



**TGX/527**



**TGX/524**

- Applicabile al telaio con le seguenti staffe
- **TGX/524 (KIT)**
- **TGX/526-527**
- **Materiale: PP**
- Fits to the chassis with the brackets
- **TGX/524 (KIT)**
- **TGX/526-527**
- **Material: PP**

# D4 combinazione assembling

## 1° Asse 1st Axle

<b>TGX/520</b>	<b>TGX/520</b>
O.E.: 81.66410.6606	O.E.: 81.66410.6606
destro sinistro	RH LH
peso kg.: 2,390	weight kg.: 2,390
colore: grigio scuro	color: dark grey
SEMIPIATTA	SEMI-FLAT
CON CINGHIETTI	WITH STRETCHERS



<b>TGX/528</b>	<b>TGX/529</b>
O.E.: 81.66410.6630	O.E.: 81.66410.6629
destro	sinistro
peso kg.: 5,615	peso kg.: 5,615
colore: grigio scuro	colore: grigio scuro
CON ANTI-SPRAY	CON ANTI-SPRAY

<b>TGX/528</b>	<b>TGX/529</b>
O.E.: 81.66410.6630	O.E.: 81.66410.6629
RH	LH
weight kg.: 5,615	weight kg.: 5,615
color: dark grey	color: dark grey
WITH ANTI-SPRAY	WITH ANTI-SPRAY

<b>TGX/516</b>	<b>TGX/516</b>
O.E.: 81.66410.6599	O.E.: 81.66410.6599
destro sinistro	RH LH
peso kg.: 3,160	weight kg.: 3,160
colore: grigio scuro	color: dark grey
CON STAFFE	WITH BRACKETS

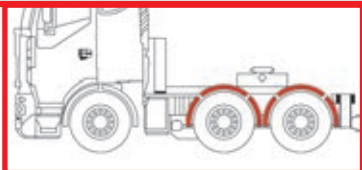
## 2° Asse 2nd Axle

<b>TGX/525</b>	<b>TGX/525</b>
O.E.: 81.66410.6612	O.E.: 81.66410.6612
destro sinistro	RH LH
peso kg.: 1,930	weight kg.: 1,930
colore: grigio scuro	color: dark grey
SEMIPIATTA	SEMI-FLAT
CON CINGHIETTI	WITH STRETCHERS



<b>TGX/513</b>	<b>TGX/513</b>
O.E.: 81.66410.6608	O.E.: 81.66410.6608
destro sinistro	RH LH
peso kg.: 2,810	weight kg.: 2,810
colore: grigio scuro	color: dark grey
CON STAFFE	WITH BRACKETS

# parafanghi posteriori rear mudguards



Adattabile a: **MAN**  
Suitable to:

**TGX**

adattabile a | adaptable to:

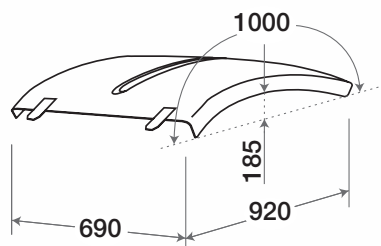
**TGX Euro 6**

**TGS**

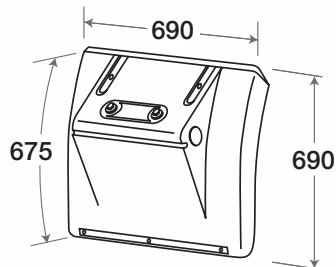
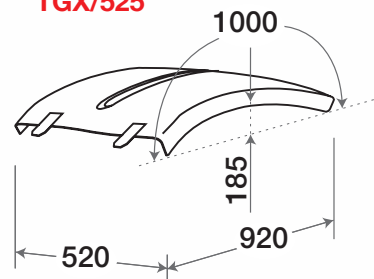
**TGS Euro 6**

**TGA XLX-XXL**

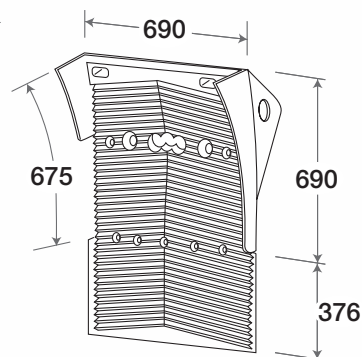
**TGX/520**



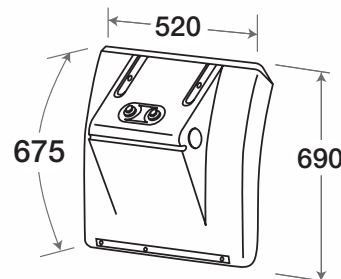
**TGX/525**



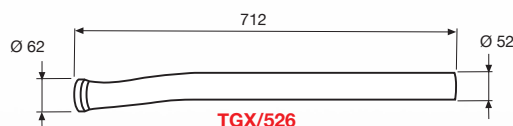
**TGX/516**



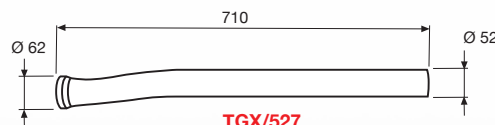
**TGX/528**  
**TGX/529**



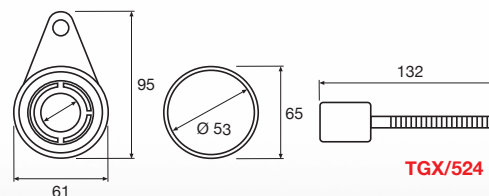
**TGX/513**



**TGX/526**

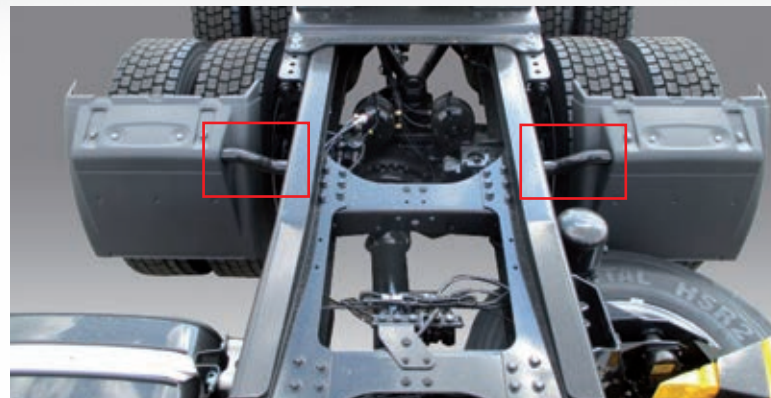


**TGX/527**



**TGX/524**

- Applicabile al telaio con le seguenti staffe
- **TGX/524 (KIT)**
- **TGX/526-527**
- **Materiale: PP**
- Fits to the chassis with the brackets
- **TGX/524 (KIT)**
- **TGX/526-527**
- **Material: PP**



**TGX/526**

O.E.: 81.66420.6080  
destro|sinistro  
peso kg.: 2,830  
colore: nero

**TGX/526**

O.E.: 81.66420.6080  
RH|LH  
weight kg.: 2,830  
color: black



**TGX/527**

O.E.: 81.66420.6050  
destro|sinistro  
peso kg.: 2,830  
colore: nero

**TGX/527**

O.E.: 81.66420.6050  
RH|LH  
weight kg.: 2,830  
color: black

## parafanghi posteriori rear mudguards



Adattabile a: **MAN**  
Suitable to: **MAN**

**TGX**

adattabile a | adaptable to:

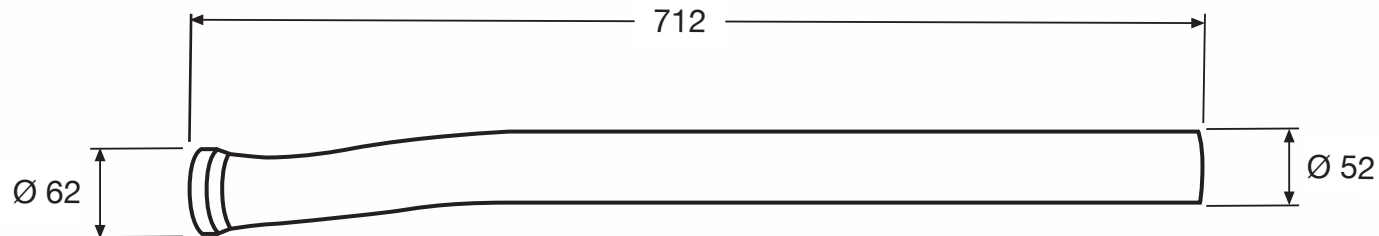
**TGX Euro 6**

**TGS**

**TGS Euro 6**

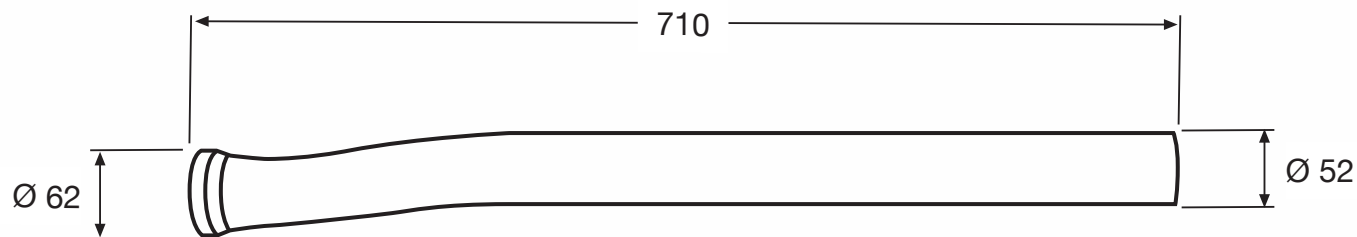
**TGA XLX-XXL**

**TGX/526**



● **Materiale:** Acciaio

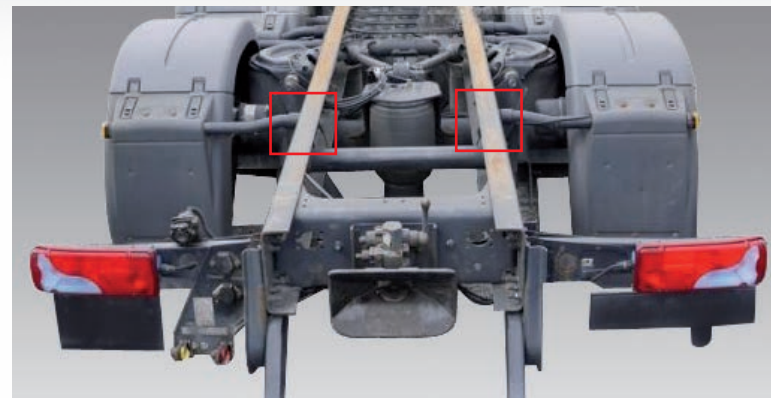
● **Material:** Steel



**TGX/527**



KIT composto da:  
KIT composed by:  
O.E. 81664200125  
O.E. 81930210369  
O.E. 81904900726



O.E. 81664200125



O.E. 81930210369



O.E. 81904900726

**TGX/524**  
O.E.: -  
destro|sinistro  
peso kg.: 1,245  
colore: grigio

**TGX/524**  
O.E.: -  
RH|LH  
weight kg.: 1,245  
color: grey

## parafanghi posteriori rear mudguards



Adattabile a: **MAN**  
Suitable to: **MAN**

**TGX**

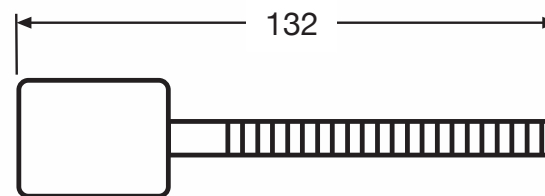
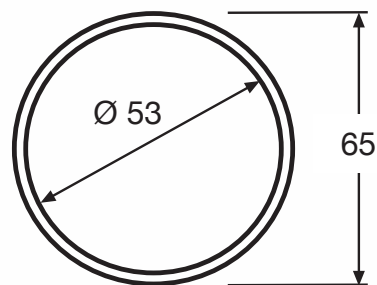
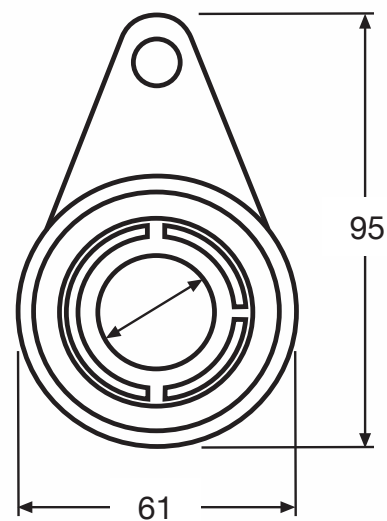
adattabile a | adaptable to:

**TGX Euro 6**

**TGS**

**TGS Euro 6**

**TGA XLX-XXL**



- **Materiale:** Acciaio
- **Material:** Steel



**XXL/505**

O.E.: 81.66440.0192  
peso kg.: 0,055  
colore: grigio scuro  
Materiale: EPDM

**XXL/505**

O.E.: 81.66440.0192  
weight kg.: 0,055  
color: dark grey  
Material: EPDM



**TGX/500**

O.E.: 81.66440.0193  
peso kg.: 0,010  
colore: grigio scuro  
Materiale: PC+ABS

**TGX/500**

O.E.: 81.66440.0193  
weight kg.: 0,010  
color: dark grey  
Material: PC+ABS



**TGX/505**

O.E.: 81.66440.0189  
peso kg.: 0,140  
colore: grigio scuro  
Materiale: PC+ABS

**TGX/505**

O.E.: 81.66440.0189  
weight kg.: 0,140  
color: dark grey  
Material: PC+ABS



# parafanghi posteriori rear mudguards



Adattabile a: **MAN**  
Suitable to: **MAN**

**TGX**

adattabile a | adaptable to:

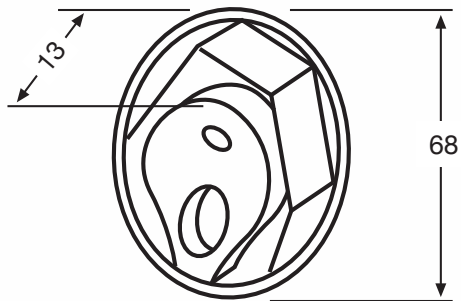
**TGX Euro 6**

**TGS**

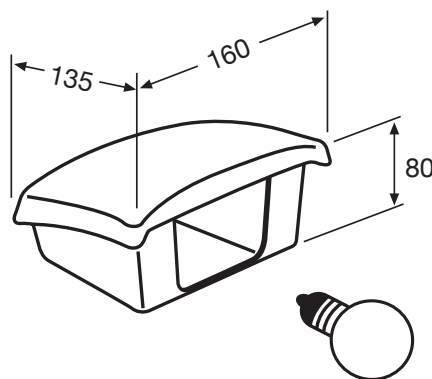
**TGS Euro 6**

**TGA XLX-XXL**

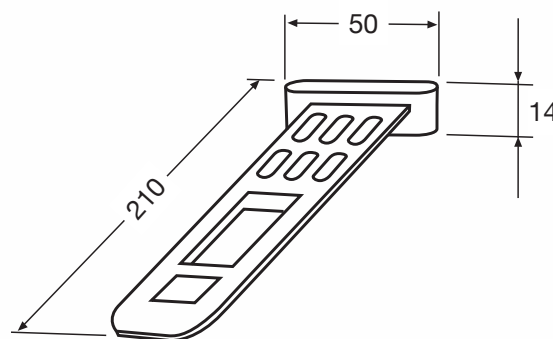
**TGX/500**



**TGX/505**



**XXL/505**



**TGX/555**  
O.E.: 81.66410.0484  
destro|sinistro  
peso kg.: 0,620  
colore: nero

**TGX/555**  
O.E.: 81.66410.0484  
RH|LH  
weight kg.: 0,620  
color: black





# paraspruzzi anti-spray

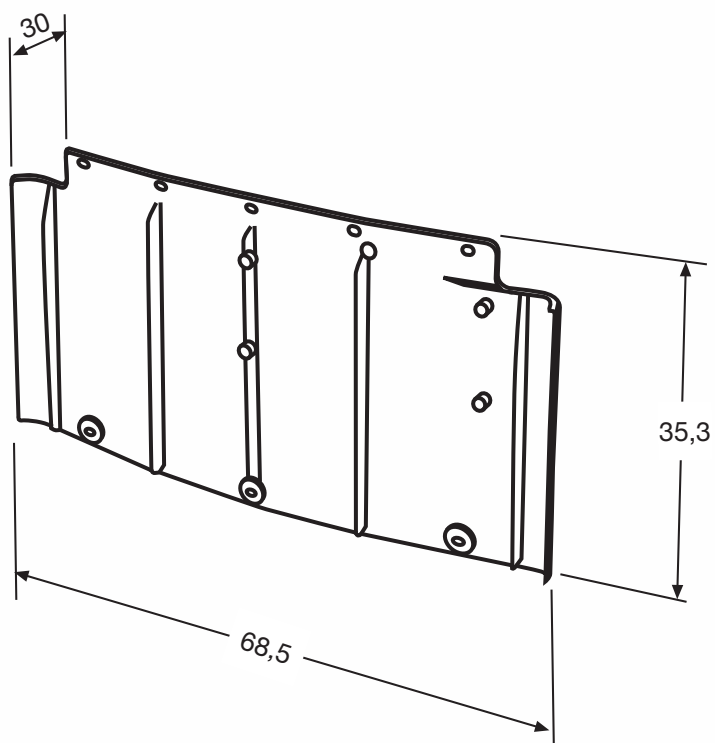


Adattabile a: **MAN**  
Suitable to:

**TGX**

adattabile a | adaptable to:

**TGS**



- Applicabile al  
• parafrango  
• **TGX/543**
- **Materiale: PP**
- Fits to the  
• mudguards  
• **TGX/543**
- **Material: PP**

**XXL/320**

O.E.: 81.61210.0676

destro

peso kg.: 5,570

colore: grigio

**XXL/320**

O.E.: 81.61210.0676

RH

weight kg.: 5,570

color: grey



**XXL/321**

O.E.: 81.61210.0675

sinistro

peso kg.: 5,600

colore: grigio

**XXL/321**

O.E.: 81.61210.0675

LH

weight kg.: 5,600

color: grey



# riparifango mud protection



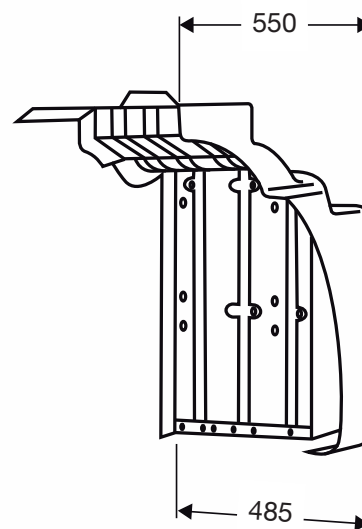
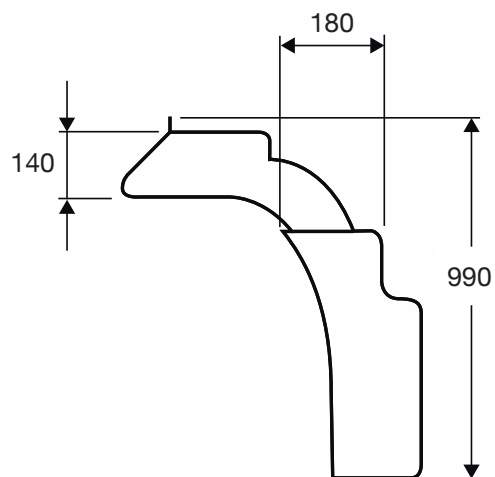
Adattabile a: **MAN**  
Suitable to: **MAN**

**TGA XLX-XXL**

adattabile a | adaptable to:

**TGS**

**TGS Cava-Cantiere | Yard & Quarry**



- **Materiale: SMC**
- **Material: SMC**

Il disegno tecnico rappresenta entrambi i particolari in quanto speculari e con le stesse dimensioni.  
Same technical drawing is used to represent both items. These components are specular and with the same dimensions.

**XXL/324**

O.E.: 81.61210.0684

destro

peso kg.: 5,080

colore: grigio

**XXL/324**

O.E.: 81.61210.0684

RH

weight kg.: 5,080

color: grey



**XXL/325**

O.E.: 81.61210.0683

sinistro

peso kg.: 5,035

colore: grey

**XXL/325**

O.E.: 81.61210.0683

LH

weight kg.: 5,035

color: grey



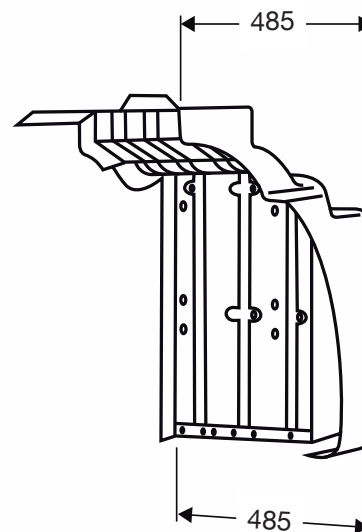
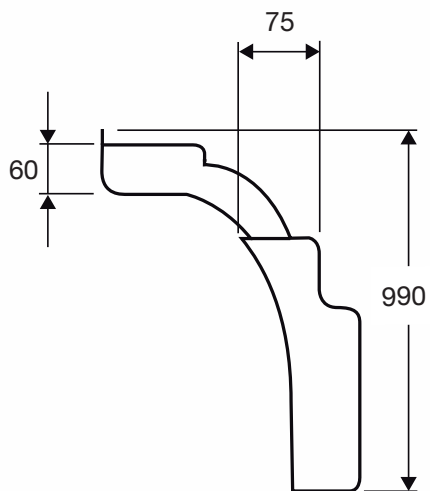


Adattabile a: **MAN**  
Suitable to: **MAN**

**TGA XLX-XXL**

adattabile a | adaptable to:

**TGS Cava-Cantiere | Yard & Quarry**



- **Materiale:** UP-GF
- **Material:** UP-GF



• **XXL/520**

• O.E.: 81.66410.6086  
• destro|sinistro  
• peso kg.: 3,440  
• colore: grigio scuro  
• CON CINGHIETTI

**XXL/520**

O.E.: 81.66410.6086  
RH|LH  
weight kg.: 3,440  
color: dark grey  
WITH STRETCHERS



**XXL/520**



• **XXL/518**

• O.E.: 81.66410.0172  
• posteriore destro  
• peso kg.: 2,800  
• colore: grigio scuro  
• SENZA ANTI-SPRAY

• **XXL/518**

• O.E.: 81.66410.0172  
• RH rear  
• weight kg.: 2,800  
• color: dark grey  
• WITHOUT ANTI-SPRAY



• **XXL/519**

• O.E.: 81.66410.0173  
• posteriore sinistro  
• peso kg.: 3,000  
• colore: grigio scuro  
• SENZA ANTI-SPRAY

• **XXL/519**

• O.E.: 81.66410.0173  
• LH rear  
• weight kg.: 3,000  
• color: dark grey  
• WITHOUT ANTI-SPRAY

• **XXL/516**

• O.E.: 81.66410.0294  
• anteriore destro  
• peso kg.: 2,800  
• colore: grigio scuro  
• SENZA ANTI-SPRAY

**XXL/516**

O.E.: 81.66410.0294  
RH front  
weight kg.: 2,800  
color: dark grey  
WITHOUT ANTI-SPRAY

• **XXL/517**

• O.E.: 81.66410.0293  
• (81.66410.0169)  
• anteriore sinistro  
• peso kg.: 2,770  
• colore: grigio scuro  
• SENZA ANTI-SPRAY

**XXL/517**

O.E.: 81.66410.0293  
(81.66410.0169)  
LH front  
weight kg.: 2,770  
color: dark grey  
WITHOUT ANTI-SPRAY

# parafanghi posteriori rear mudguards

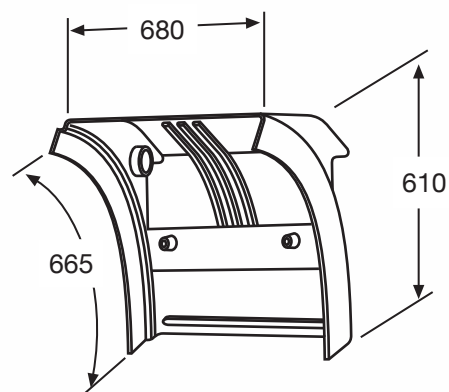
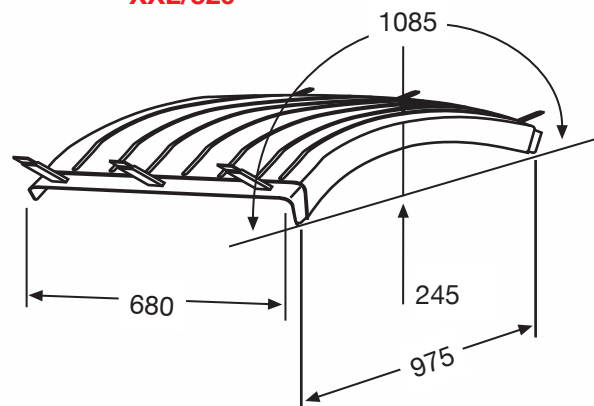


Adattabile a: **MAN**  
Suitable to: **MAN**

**TGA XLX-XXL**

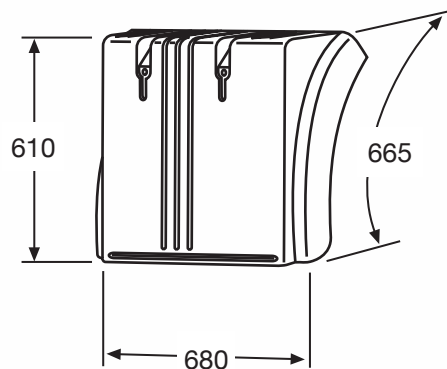
- **Materiale: PP**
- **Material: PP**

**XXL/520**



**XXL/518**  
**XXL/519**

**XXL/516**  
**XXL/517**





**XXL/515**

O.E.: 81.66410.0226

peso kg.: 0,050

colore: grigio scuro

**XXL/515**

O.E.: 81.66410.0226

weight kg.: 0,050

color: dark grey



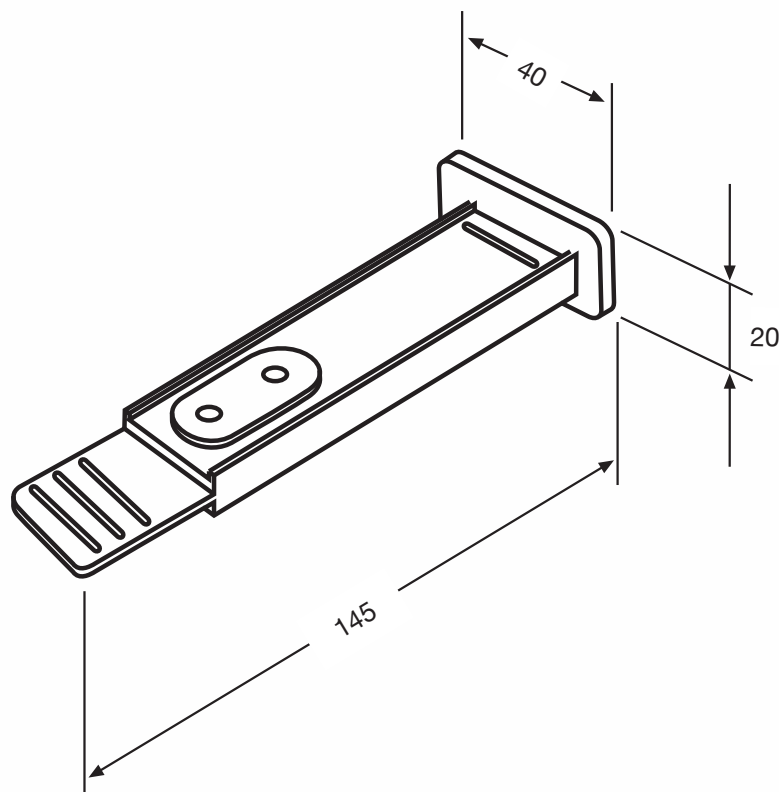
## parafanghi posteriori rear mudguards



Adattabile a: **MAN**  
Suitable to: **MAN**

**TGA XLX-XXL**

- **Materiale:** EPDM
- **Material:** EPDM



**M20/316**

O.E.: 81.61230.0066  
destro  
peso kg.: 0,800  
colore: nero

**M20/316**

O.E.: 81.61230.0066  
RH  
weight kg.: 0,800  
color: black



**M20/317**

O.E.: 81.61230.0067  
sinistro  
peso kg.: 0,775  
colore: nero

**M20/317**

O.E.: 81.61230.0067  
LH  
weight kg.: 0,775  
color: black





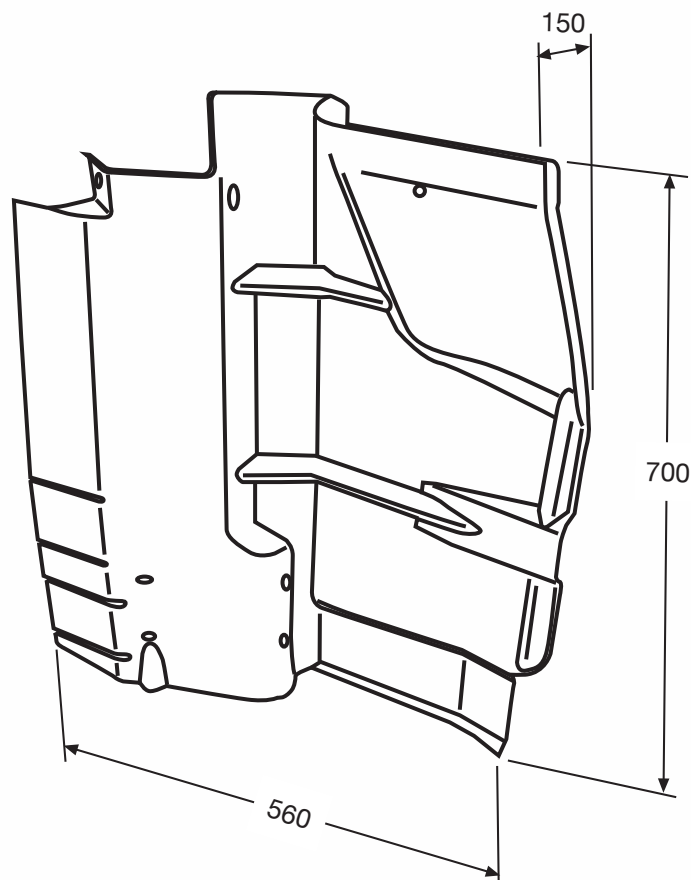


Adattabile a: **MAN**  
Suitable to: **MAN**

## F2000

### F2000 Cava-Cantiere | Yard & Quarry

- Materiale: PP
- Material: PP



Il disegno tecnico rappresenta entrambi i particolari in quanto speculari e con le stesse dimensioni.  
Same technical drawing is used to represent both items. These components are specular and with the same dimensions.

<b>960/520</b> O.E.: 9605200007 destro sinistro peso kg.: 3,330 colore: nero SEMIPIATTA CON CINGHIETTI	<b>960/520</b> O.E.: 9605200007 RH LH weight kg.: 3,330 color: black SEMI-FLAT WITH STRETCHERS
--	--

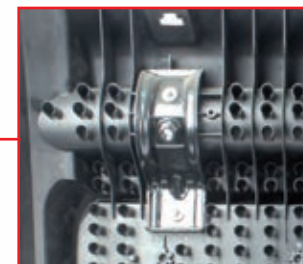
<b>960/518</b> O.E.: 9605200520 destro sinistro peso kg.: 3,370 colore: nero CON ANTI-SPRAY CON STAFFE	<b>960/518</b> O.E.: 9605200520 RH LH weight kg.: 3,370 color: black WITH ANTI-SPRAY WITH BRACKETS
--	--

**960/516**  
O.E.: 9605200119  
destro  
peso kg.: 2,745  
colore: nero  
CON STAFFE

**960/517**  
O.E.: 9605200019  
sinistro  
peso kg.: 2,760  
colore: nero  
CON STAFFE

**960/516**  
O.E.: 9605200119  
RH  
weight kg.: 2,745  
color: black  
WITH BRACKETS

**960/517**  
O.E.: 9605200019  
LH  
weight kg.: 2,760  
color: black  
WITH BRACKETS



## parafanghi posteriori rear mudguards



Adattabile a: **Mercedes-Benz**  
Suitable to:

**Actros 4 Classic Space**

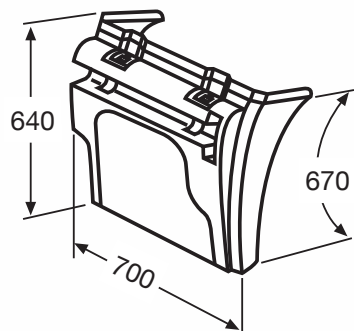
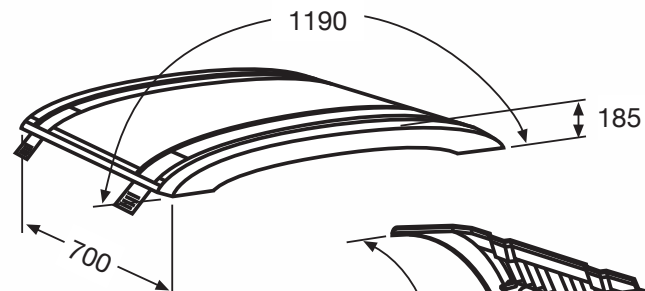
**Actros 4 Stream Space**

**Actros 4 Big Space**

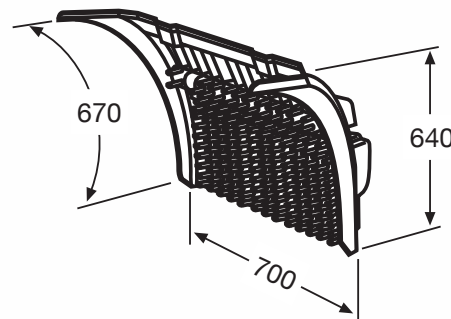
**Actros 4 Giga Space**

- **Materiale: PP**
- **Material: PP**

**960/520**



**960/516**  
**960/517**



**960/518**

- **960/525**
  - O.E.: 9605200107
  - destro|sinistro
  - peso kg.: 3,275
  - colore: nero
  - CIRCOLARE
  - CON CINGHIETTI
  - 
  -
- 960/525**  
O.E.: 9605200107  
RH|LH  
weight kg.: 3,275  
color: black  
CIRCULAR  
WITH STRETCHERS

- 960/518**  
O.E.: 9605200520  
destro|sinistro  
peso kg.: 3,370  
colore: nero  
CON ANTI-SPRAY  
CON STAFFE
- 960/518**  
O.E.: 9605200520  
RH|LH  
weight kg.: 3,370  
color: black  
WITH ANTI-SPRAY  
WITH BRACKETS

**960/516**  
O.E.: 9605200119  
destro  
peso kg.: 2,745  
colore: nero  
CON STAFFE

**960/517**  
O.E.: 9605200019  
sinistro  
peso kg.: 2,760  
colore: nero  
CON STAFFE

**960/516**  
O.E.: 9605200119  
RH  
weight kg.: 2,745  
color: black  
WITH BRACKETS

**960/517**  
O.E.: 9605200019  
LH  
weight kg.: 2,760  
color: black  
WITH BRACKETS



# parafanghi posteriori rear mudguards

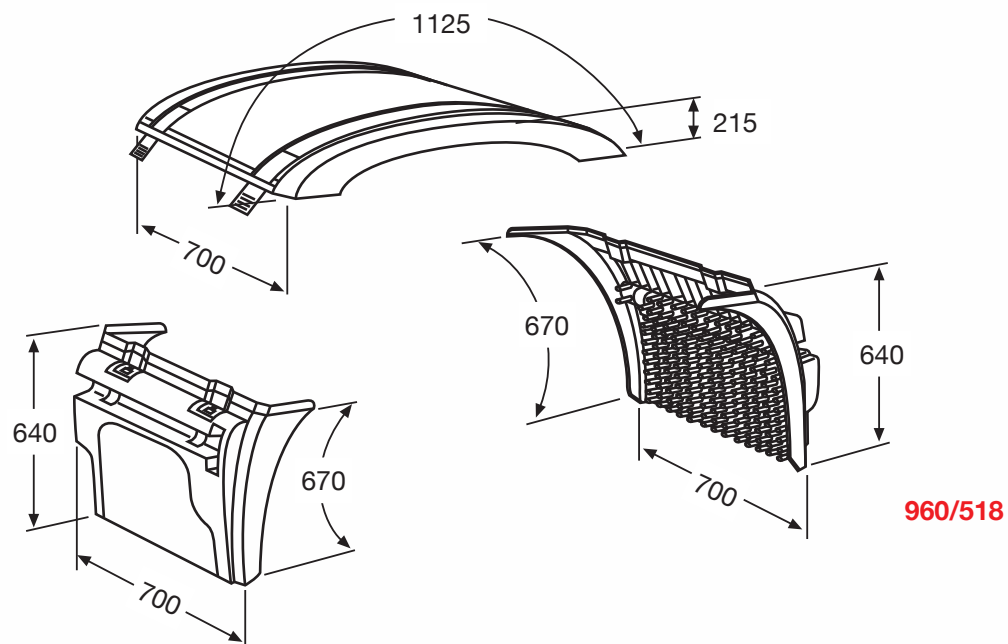


Adattabile a: **Mercedes-Benz**  
Suitable to:

- Actros 4 Classic Space
- Actros 4 Stream Space
- Actros 4 Big Space
- Actros 4 Giga Space

- Materiale: PP
- Material: PP

960/525



960/516  
960/517

960/518





**960/515**  
O.E.: 9605200067  
peso kg.: 0,050  
colore: nero

**960/515**  
O.E.: 9605200067  
weight kg.: 0,050  
color: black



## parafanghi posteriori rear mudguards



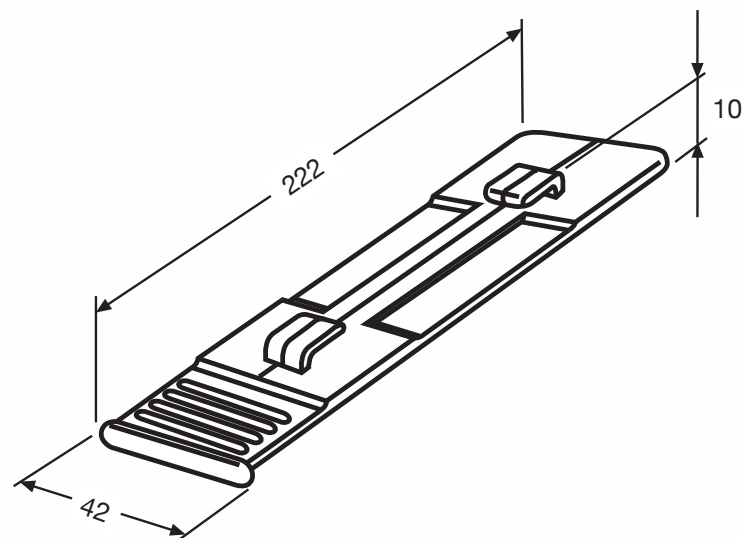
Adattabile a: **Mercedes-Benz**  
Suitable to:

**Actros 4 Classic Space**

**Actros 4 Stream Space**

**Actros 4 Big Space**

**Actros 4 Giga Space**



- **Materiale:** EPDM
- **Material:** EPDM

# A1 **combinazione** assembling

- **943/535**
  - O.E.: 9305200107
  - destro|sinistro
  - peso kg.: 4,700
  - colore: grigio
  - CIRCOLARE
  - CON CINGHIETTI
  -
- **943/535**
  - O.E.: 9305200107
  - RH|LH
  - weight kg.: 4,700
  - color: grey
  - CIRCULAR
  - WITH STRETCHERS



**943/516**  
O.E.: 9305200119  
destro  
peso kg.: 2,875  
colore: grigio

**943/517**  
O.E.: 9305200019  
sinistro  
peso kg.: 2,950  
colore: grigio

**943/516**  
O.E.: 9305200119  
RH  
weight kg.: 2,875  
color: grey

**943/517**  
O.E.: 9305200019  
LH  
weight kg.: 2,950  
color: grey

**943/518**  
O.E.: 9305200120  
destro|sinistro  
peso kg.: 4,880  
colore: grigio  
CON ANTI-SPRAY

**943/518**  
O.E.: 9305200120  
RH|LH  
weight kg.: 4,880  
color: grey  
WITH ANTI-SPRAY



# parafanghi posteriori rear mudguards



Adattabile a: **Mercedes-Benz**  
Suitable to:

**Actros 2**

adattabile a | adaptable to:

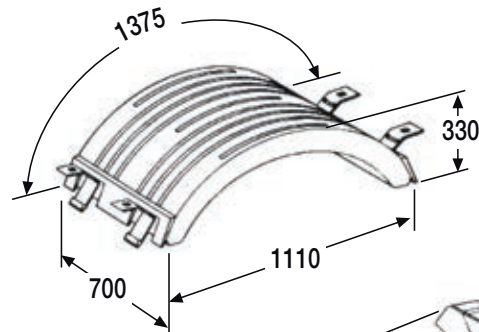
**Actros 3**

**Actros 2 MS**

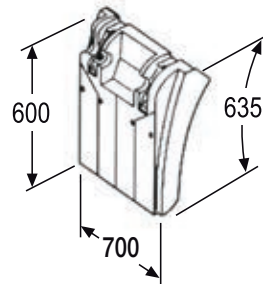
**Actros 3 MS**

**Axor seconda serie | second series**

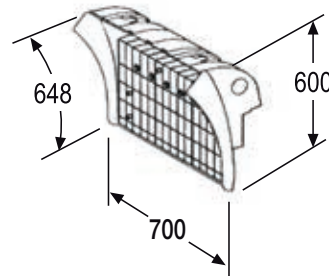
**943/535**



**943/516**  
**943/517**



**943/518**



- **Materiale: PE**
- **Material: PE**

## A2 combinazione assembling

- **943/535**
  - O.E.: 9305200107
  - destro|sinistro
  - peso kg.: 4,700
  - colore: grigio
  - CIRCOLARE
  - CON CINGHIETTI
  - 
  -
- |                   |                  |
|-------------------|------------------|
| <b>943/535</b>    | O.E.: 9305200107 |
| RH LH             |                  |
| weight kg.: 4,700 |                  |
| color: grey       |                  |
| CIRCULAR          |                  |
| WITH STRETCHERS   |                  |

**943/516**  
O.E.: 9305200119  
destro  
peso kg.: 2,875  
colore: grigio

**943/516**  
O.E.: 9305200119  
RH  
weight kg.: 2,875  
color: grey

**943/517**  
O.E.: 9305200019  
sinistro  
peso kg.: 2,950  
colore: grigio

**943/517**  
O.E.: 9305200019  
LH  
weight kg.: 2,950  
color: grey



- |                  |                    |
|------------------|--------------------|
| <b>943/519</b>   | <b>943/519</b>     |
| O.E.: 9305200020 | O.E.: 9305200020   |
| destro sinistro  | RH LH              |
| peso kg.: 4,880  | weight kg.: 4,880  |
| colore: grigio   | color: grey        |
| SENZA ANTI-SPRAY | WITHOUT ANTI-SPRAY |





# parafanghi posteriori rear mudguards



Adattabile a: **Mercedes-Benz**  
Suitable to:

**Actros 2**

adattabile a | adaptable to:

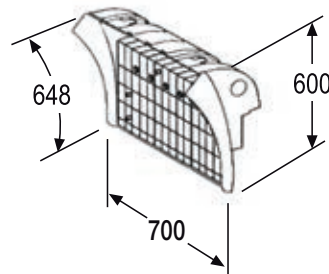
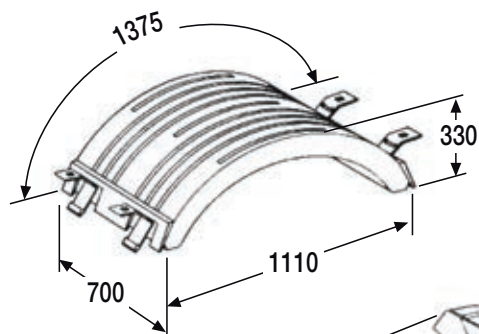
**Actros 3**

**Actros 2 MS**

**Actros 3 MS**

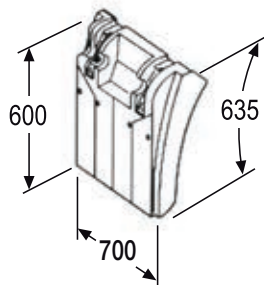
**Axor seconda serie | second series**

**943/535**



**943/519**

**943/516**  
**943/517**



- **Materiale: PE**
- **Material: PE**

# A3 **combinazione** assembling

- **943/525** **943/525**
- O.E.: 9305200007 O.E.: 9305200007
- destro|sinistro RH|LH
- peso kg.: 4,045 weight kg.: 4,045
- colore: grigio color: grey
- SEMIPIATTA SEMI-FLAT
- CON CINGHIETTI WITH STRETCHERS



- **943/516**
- O.E.: 9305200119
- destro
- peso kg.: 2,875
- colore: grigio

- **943/517**
- O.E.: 9305200019
- sinistro
- peso kg.: 2,950
- colore: grigio

- **943/516**
- O.E.: 9305200119
- RH
- weight kg.: 2,875
- color: grey

- **943/517**
- O.E.: 9305200019
- LH
- weight kg.: 2,950
- color: grey

- **943/518** **943/518**
- O.E.: 9305200120 O.E.: 9305200120
- destro|sinistro RH|LH
- peso kg.: 4,880 weight kg.: 4,880
- colore: grigio color: grey
- CON ANTI-SPRAY WITH ANTI-SPRAY



# parafanghi posteriori rear mudguards



Adattabile a: **Mercedes-Benz**  
Suitable to:

**Actros 2**

adattabile a | adaptable to:

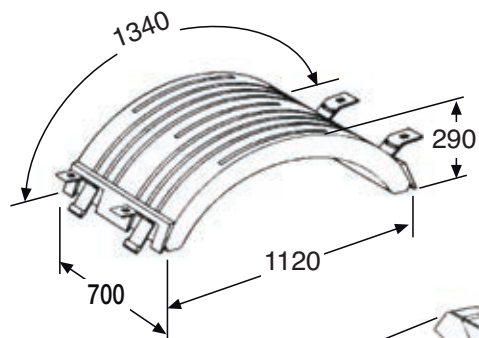
**Actros 3**

**Actros 2 MS**

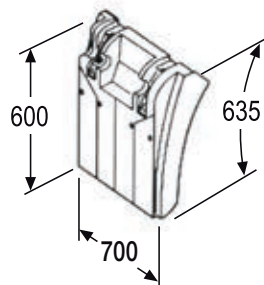
**Actros 3 MS**

**Axor seconda serie | second series**

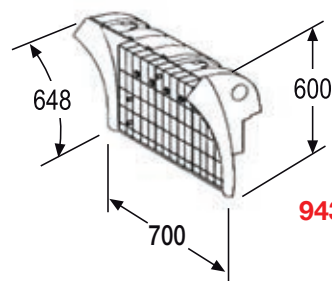
**943/525**



**943/516**  
**943/517**



**943/518**



- **Materiale: PE**
- **Material: PE**

# A4 combinazione assembling

- **943/525** O.E.: 9305200007
- destro|sinistro RH|LH
- peso kg.: 4,045 weight kg.: 4,045
- colore: grigio color: grey
- SEMIPIATTA SEMI-FLAT
- CON CINGHIETTI WITH STRETCHERS



**943/516**  
O.E.: 9305200119  
destro  
peso kg.: 2,875  
colore: grigio

**943/517**  
O.E.: 9305200019  
sinistro  
peso kg.: 2,950  
colore: grigio

**943/516**  
O.E.: 9305200119  
RH  
weight kg.: 2,875  
color: grey

**943/517**  
O.E.: 9305200019  
LH  
weight kg.: 2,950  
color: grey

**943/519**  
O.E.: 9305200020  
destro|sinistro  
peso kg.: 4,880  
colore: grigio  
SENZA ANTI-SPRAY

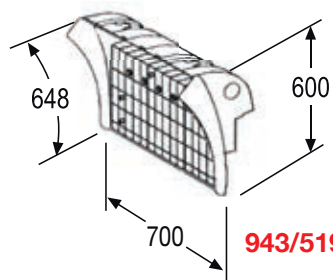
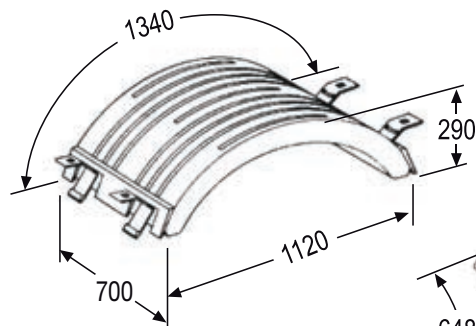
**943/519**  
O.E.: 9305200020  
RH|LH  
weight kg.: 4,880  
color: grey  
WITHOUT ANTI-SPRAY



## parafanghi posteriori rear mudguards

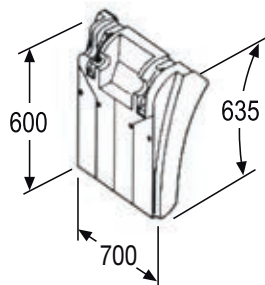


943/525



943/519

943/516  
943/517



Adattabile a: **Mercedes-Benz**  
Suitable to:

**Actros 2**

adattabile a | adaptable to:

**Actros 3**

**Actros 2 MS**

**Actros 3 MS**

**Axor seconda serie | second series**

- **Materiale: PE**
- **Material: PE**



# A5 combinazione assembling

- **943/520**
- O.E.: 9305200207
- destro|sinistro
- peso kg.: 3,710
- colore: grigio
- CIRCOLARE
- CON CINGHIETTI
- 
- 

- 943/520**
- O.E.: 9305200207
- RH|LH
- weight kg.: 3,710
- color: grey
- CIRCULAR
- WITH STRETCHERS



- 943/518**
- O.E.: 9305200120
- destro|sinistro
- peso kg.: 4,880
- colore: grigio
- CON ANTI-SPRAY

- 943/518**
- O.E.: 9305200120
- RH|LH
- weight kg.: 4,880
- color: grey
- WITH ANTI-SPRAY



- 943/516**
- O.E.: 9305200119
- destro
- peso kg.: 2,875
- colore: grigio

- 943/517**
- O.E.: 9305200019
- sinistro
- peso kg.: 2,950
- colore: grigio

- 943/516**
- O.E.: 9305200119
- RH
- weight kg.: 2,875
- color: grey

- 943/517**
- O.E.: 9305200019
- LH
- weight kg.: 2,950
- color: grey



# parafanghi posteriori rear mudguards



Adattabile a: **Mercedes-Benz**  
Suitable to:

**Actros 2**

adattabile a | adaptable to:

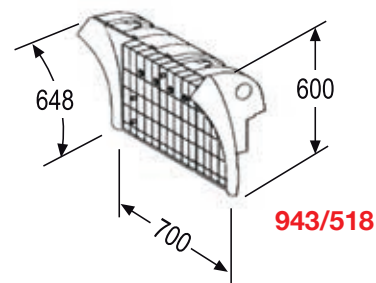
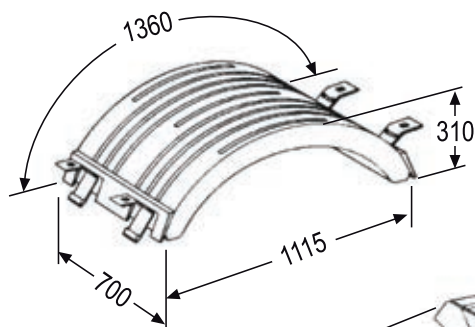
**Actros 3**

**Actros 2 MS**

**Actros 3 MS**

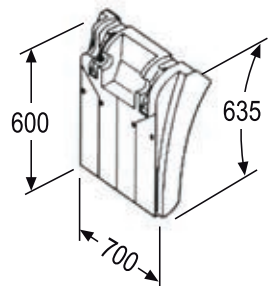
**Axor seconda serie | second series**

**943/520**



**943/518**

**943/516**  
**943/517**



- **Materiale: PE**
- **Material: PE**

# A6 combinazione assembling

● **943/520**      **943/520**  
● O.E.: 9305200207      O.E.: 9305200207  
● destro|sinistro      RH|LH  
● peso kg.: 3,710      weight kg.: 3,710  
● colore: grigio      color: grey  
● CIRCOLARE      CIRCULAR  
● CON CINGHIETTI      WITH STRETCHERS



● **943/519**      **943/519**  
● O.E.: 9305200020      O.E.: 9305200020  
● destro|sinistro      RH|LH  
● peso kg.: 4,880      weight kg.: 4,880  
● colore: grigio      color: grey  
● SENZA ANTI-SPRAY      WITHOUT ANTI-SPRAY



**943/516**  
O.E.: 9305200119  
destro  
peso kg.: 2,875  
colore: grigio

**943/517**  
O.E.: 9305200019  
sinistro  
peso kg.: 2,950  
colore: grigio

**943/516**  
O.E.: 9305200119  
RH  
weight kg.: 2,875  
color: grey

**943/517**  
O.E.: 9305200019  
LH  
weight kg.: 2,950  
color: grey

# parafanghi posteriori rear mudguards



Adattabile a: **Mercedes-Benz**  
Suitable to:

**Actros 2**

adattabile a | adaptable to:

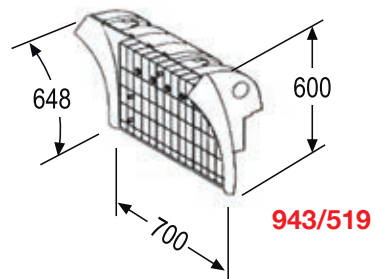
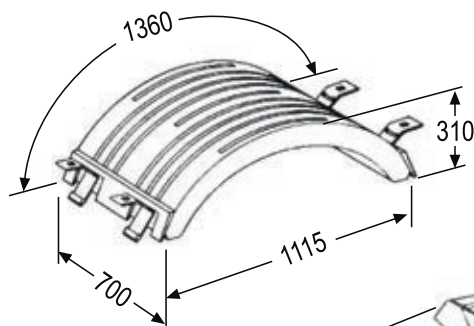
**Actros 3**

**Actros 2 MS**

**Actros 3 MS**

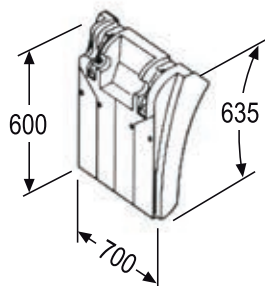
**Axor seconda serie | second series**

**943/520**



**943/519**

**943/516**  
**943/517**



- **Materiale: PE**
- **Material: PE**



# B1 combinazione assembling

- **943/535**
  - O.E.: 9305200107
  - destro|sinistro
  - peso kg.: 4,700
  - colore: grigio
  - CIRCOLARE
  - CON CINGHIETTI
  -
- **943/535**
  - O.E.: 9305200107
  - RH|LH
  - weight kg.: 4,700
  - color: grey
  - CIRCULAR
  - WITH STRETCHERS

**943/516**  
O.E.: 9305200119  
destro  
peso kg.: 2,875  
colore: grigio

**943/517**  
O.E.: 9305200019  
sinistro  
peso kg.: 2,950  
colore: grigio

**943/516**  
O.E.: 9305200119  
RH  
weight kg.: 2,875  
color: grey

**943/517**  
O.E.: 9305200019  
LH  
weight kg.: 2,950  
color: grey



- 
- 
- 
- **943/530**
- O.E.: 9305200419
- destro|sinistro
- peso kg.: 8,800
- colore: grigio
- SENZA ANTI-SPRAY

- 
- **943/530**
- O.E.: 9305200419
- RH|LH
- weight kg.: 8,800
- color: grey
- WITHOUT ANTI-SPRAY

**943/535**



**943/530**

- **943/518**
- O.E.: 9305200120
- destro|sinistro
- peso kg.: 4,880
- colore: grigio
- CON ANTI-SPRAY

- 
- **943/518**
- O.E.: 9305200120
- RH|LH
- weight kg.: 4,880
- color: grey
- WITH ANTI-SPRAY





# parafanghi posteriori rear mudguards



Adattabile a: **Mercedes-Benz**  
Suitable to:

**Actros 2**

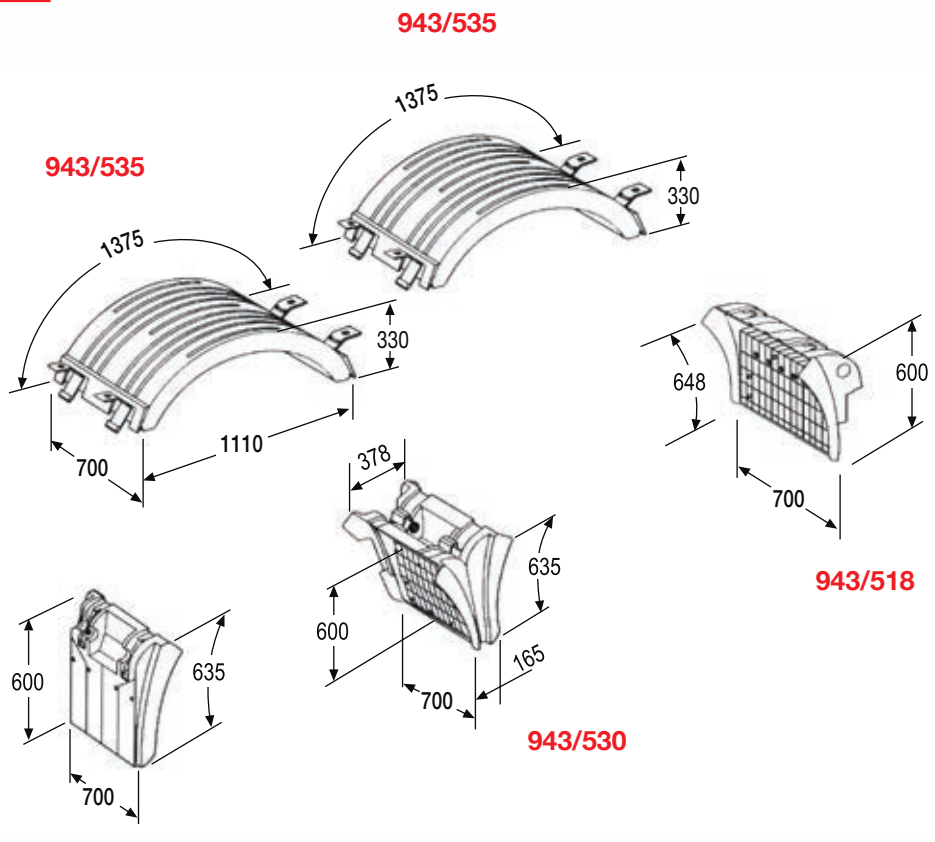
adattabile a | adaptable to:

**Actros 3**

**Actros 2 MS**

**Actros 3 MS**

**Axor seconda serie | second series**



- **Materiale: PE**
- **Material: PE**

## B2 combinazione assembling

**943/516**  
O.E.: 9305200119  
destro  
peso kg.: 2,875  
colore: grigio

**943/517**  
O.E.: 9305200019  
sinistro  
peso kg.: 2,950  
colore: grigio

**943/516**  
O.E.: 9305200119  
RH  
weight kg.: 2,875  
color: grey

**943/517**  
O.E.: 9305200019  
LH  
weight kg.: 2,950  
color: grey

• **943/535**  
• O.E.: 9305200107  
• destro|sinistro  
• peso kg.: 4,700  
• colore: grigio  
• CIRCOLARE  
• CON CINGHIETTI

**943/535**  
O.E.: 9305200107  
RH|LH  
weight kg.: 4,700  
color: grey  
CIRCULAR  
WITH STRETCHERS



**943/530**

• **943/530**  
• O.E.: 9305200419  
• destro|sinistro  
• peso kg.: 8,800  
• colore: grigio  
• SENZA ANTI-SPRAY

• **943/530**  
• O.E.: 9305200419  
• RH|LH  
• weight kg.: 8,800  
• color: grey  
• WITHOUT ANTI-SPRAY



• **943/519**  
• O.E.: 9305200020  
• destro|sinistro  
• peso kg.: 4,880  
• colore: grigio  
• SENZA ANTI-SPRAY

• **943/519**  
• O.E.: 9305200020  
• RH|LH  
• weight kg.: 4,880  
• color: grey  
• WITHOUT ANTI-SPRAY

# parafanghi posteriori rear mudguards



Adattabile a: **Mercedes-Benz**  
Suitable to:

**Actros 2**

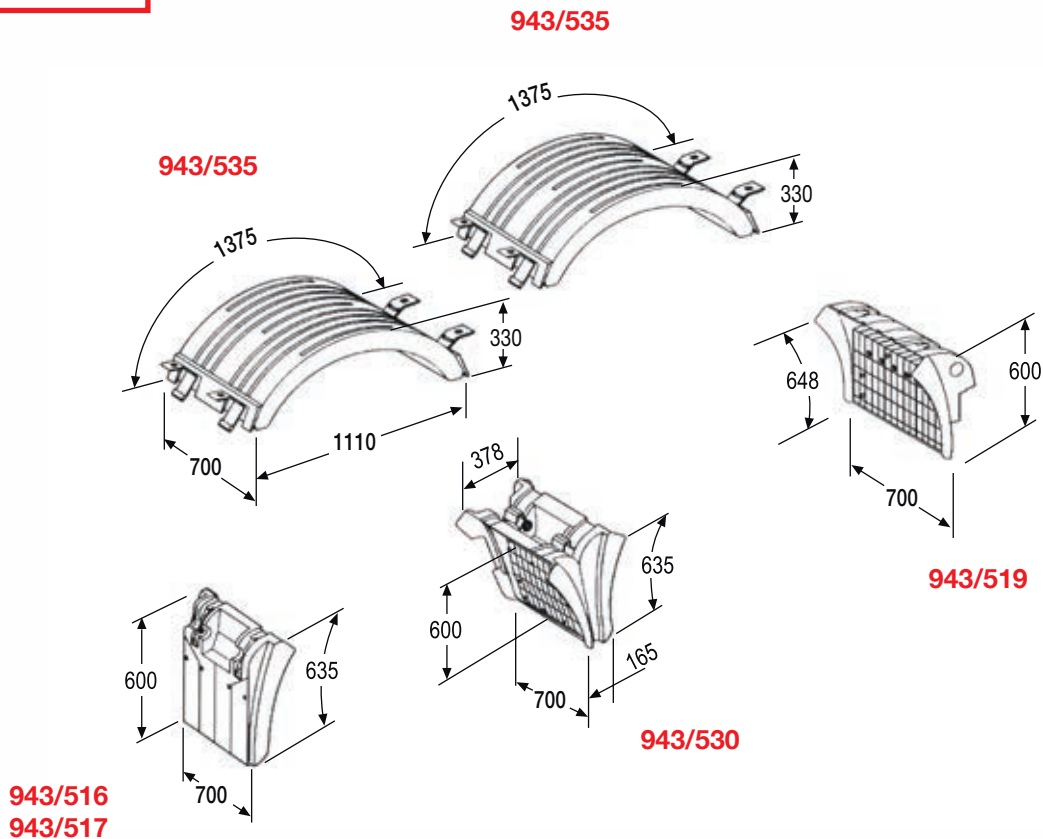
adattabile a | adaptable to:

**Actros 3**

**Actros 2 MS**

**Actros 3 MS**

**Axor seconda serie | second series**



- **Materiale:** PE
- **Material:** PE

## B3 combinazione assembling

**943/516**  
O.E.: 9305200119  
destro  
peso kg.: 2,875  
colore: grigio

**943/517**  
O.E.: 9305200019  
sinistro  
peso kg.: 2,950  
colore: grigio

**943/516**  
O.E.: 9305200119  
RH  
weight kg.: 2,875  
color: grey

**943/517**  
O.E.: 9305200019  
LH  
weight kg.: 2,950  
color: grey

• **943/525**  
• O.E.: 9305200007  
• destro|sinistro  
• peso kg.: 4,045  
• colore: grigio  
• SEMIPIATTA  
• CON CINGHIETTI  
•  
•  
• **943/525**  
O.E.: 9305200007  
RH|LH  
weight kg.: 4,045  
color: grey  
SEMI-FLAT  
WITH STRETCHERS



•  
•  
•  
• **943/530**  
• O.E.: 9305200419  
• destro|sinistro  
• peso kg.: 8,800  
• colore: grigio  
• SENZA ANTI-SPRAY  
•  
• **943/530**  
• O.E.: 9305200419  
• RH|LH  
• weight kg.: 8,800  
• color: grey  
• WITHOUT ANTI-SPRAY

**943/525**

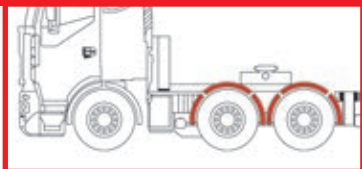
**943/530**



• **943/518**  
• O.E.: 9305200120  
• destro|sinistro  
• peso kg.: 4,880  
• colore: grigio  
• CON ANTI-SPRAY  
•  
• **943/518**  
• O.E.: 9305200120  
• RH|LH  
• weight kg.: 4,880  
• color: grey  
• WITH ANTI-SPRAY



# parafanghi posteriori rear mudguards



Adattabile a: **Mercedes-Benz**  
Suitable to:

**Actros 2**

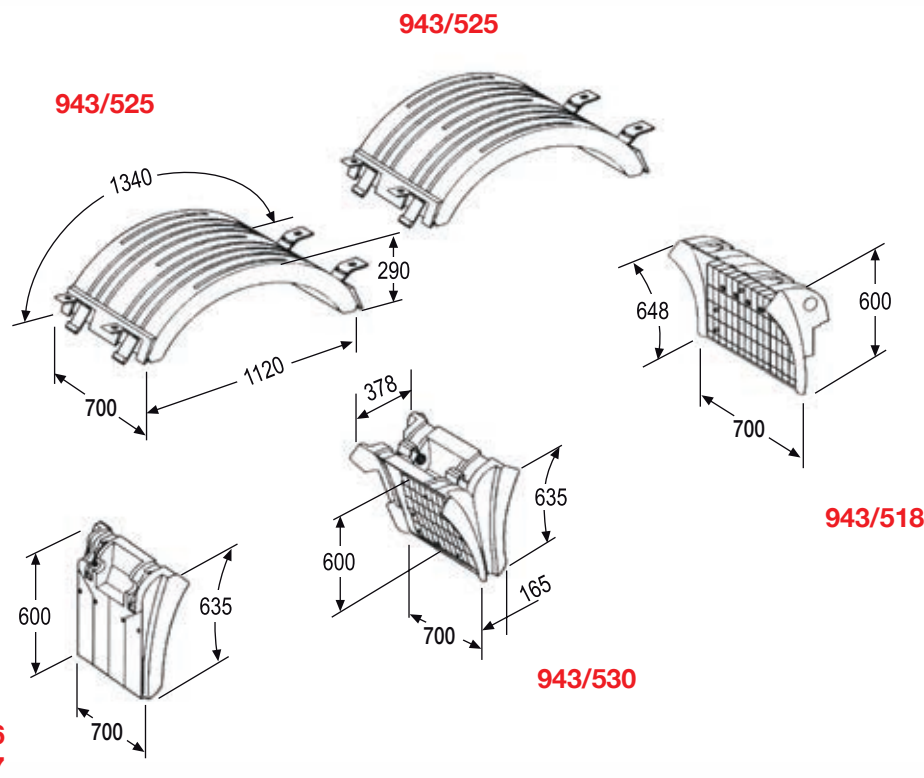
adattabile a | adaptable to:

**Actros 3**

**Actros 2 MS**

**Actros 3 MS**

**Axor seconda serie | second series**



- **Materiale: PE**
- **Material: PE**



## B4 combinazione assembling

**943/516**  
O.E.: 9305200119  
destro  
peso kg.: 2,875  
colore: grigio

**943/517**  
O.E.: 9305200019  
sinistro  
peso kg.: 2,950  
colore: grigio

**943/516**  
O.E.: 9305200119  
RH  
weight kg.: 2,875  
color: grey

**943/517**  
O.E.: 9305200019  
LH  
weight kg.: 2,950  
color: grey

• **943/525**  
• O.E.: 9305200007  
• destro|sinistro  
• peso kg.: 4,045  
• colore: grigio  
• SEMIPIATTA  
• CON CINGHIETTI

**943/525**  
O.E.: 9305200007  
RH|LH  
weight kg.: 4,045  
color: grey  
SEMI-FLAT  
WITH STRETCHERS



• **943/530**  
• O.E.: 9305200419  
• destro|sinistro  
• peso kg.: 8,800  
• colore: grigio  
• SENZA ANTI-SPRAY

**943/530**  
O.E.: 9305200419  
RH|LH  
weight kg.: 8,800  
color: grey  
WITHOUT ANTI-SPRAY



• **943/519**  
• O.E.: 9305200020  
• destro|sinistro  
• peso kg.: 4,880  
• colore: grigio  
• SENZA ANTI-SPRAY

• **943/519**  
• O.E.: 9305200020  
• RH|LH  
• weight kg.: 4,880  
• color: grey  
• WITHOUT ANTI-SPRAY



# parafanghi posteriori rear mudguards



Adattabile a: **Mercedes-Benz**  
Suitable to:

**Actros 2**

adattabile a | adaptable to:

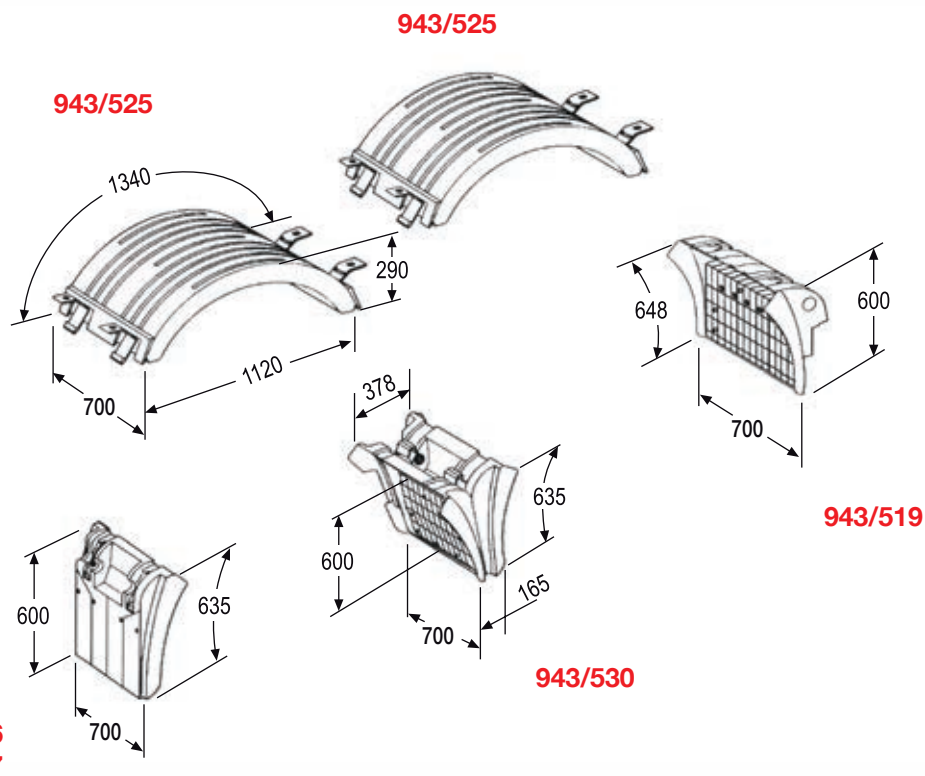
**Actros 3**

**Actros 2 MS**

**Actros 3 MS**

**Axor seconda serie | second series**

- **Materiale: PE**
- **Material: PE**



## B5 combinazione assembling

### 943/516

O.E.: 9305200119  
destro  
peso kg.: 2,875  
colore: grigio

### 943/517

O.E.: 9305200019  
sinistro  
peso kg.: 2,950  
colore: grigio

### 943/516

O.E.: 9305200119  
RH  
weight kg.: 2,875  
color: grey

### 943/517

O.E.: 9305200019  
LH  
weight kg.: 2,950  
color: grey

- **943/520**
  - O.E.: 9305200207
  - destro|sinistro
  - peso kg.: 3,710
  - colore: grigio
  - CIRCOLARE
  - CON CINGHIETTI
- **943/520**
  - O.E.: 9305200207
  - RH|LH
  - weight kg.: 3,710
  - color: grey
  - CIRCULAR
  - WITH STRETCHERS



- **943/530**
- O.E.: 9305200419
- destro|sinistro
- peso kg.: 8,800
- colore: grigio
- SENZA ANTI-SPRAY

- **943/530**
- O.E.: 9305200419
- RH|LH
- weight kg.: 8,800
- color: grey
- WITHOUT ANTI-SPRAY

### 943/520



### 943/530

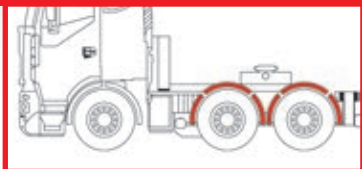


- **943/518**
- O.E.: 9305200120
- destro|sinistro
- peso kg.: 4,880
- colore: grigio
- CON ANTI-SPRAY

- **943/518**
- O.E.: 9305200120
- RH|LH
- weight kg.: 4,880
- color: grey
- WITH ANTI-SPRAY



# parafanghi posteriori rear mudguards



Adattabile a: **Mercedes-Benz**  
Suitable to:

**Actros 2**

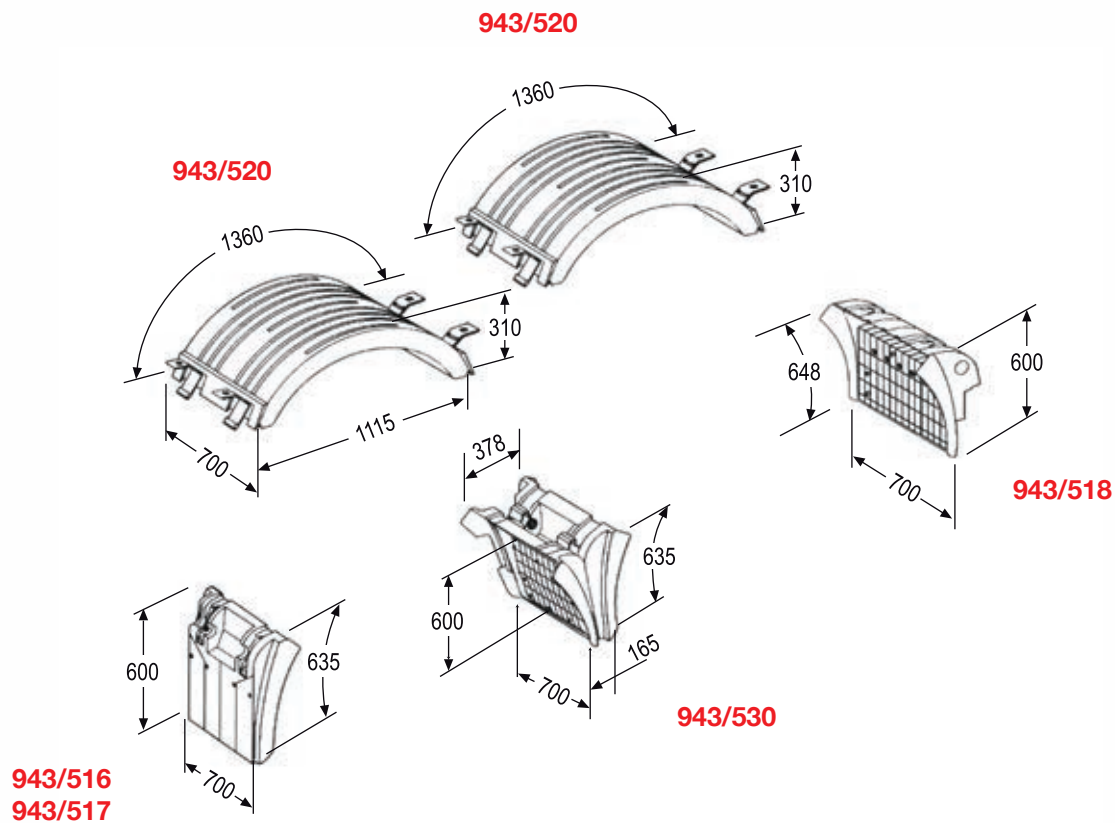
adattabile a | adaptable to:

**Actros 3**

**Actros 2 MS**

**Actros 3 MS**

**Axor seconda serie | second series**



- **Materiale:** PE
- **Material:** PE



## B6 combinazione assembling

### 943/516

O.E.: 9305200119  
destro  
peso kg.: 2,875  
colore: grigio

### 943/517

O.E.: 9305200019  
sinistro  
peso kg.: 2,950  
colore: grigio

### 943/516

O.E.: 9305200119  
RH  
weight kg.: 2,875  
color: grey

### 943/517

O.E.: 9305200019  
LH  
weight kg.: 2,950  
color: grey

### 943/520

O.E.: 9305200207  
destro|sinistro  
peso kg.: 3,710  
colore: grigio  
CIRCOLARE  
CON CINGHIETTI

### 943/520

O.E.: 9305200207  
RH|LH  
weight kg.: 3,710  
color: grey  
CIRCULAR  
WITH STRETCHERS



### 943/530

### 943/530

O.E.: 9305200419  
destro|sinistro  
peso kg.: 8,800  
colore: grigio  
SENZA ANTI-SPRAY

### 943/530

O.E.: 9305200419  
RH|LH  
weight kg.: 8,800  
color: grey  
WITHOUT ANTI-SPRAY



### 943/520

### 943/519

O.E.: 9305200020  
destro|sinistro  
peso kg.: 4,880  
colore: grigio  
SENZA ANTI-SPRAY

### 943/519

O.E.: 9305200020  
RH|LH  
weight kg.: 4,880  
color: grey  
WITHOUT ANTI-SPRAY





# parafanghi posteriori rear mudguards



Adattabile a: **Mercedes-Benz**  
Suitable to:

**Actros 2**

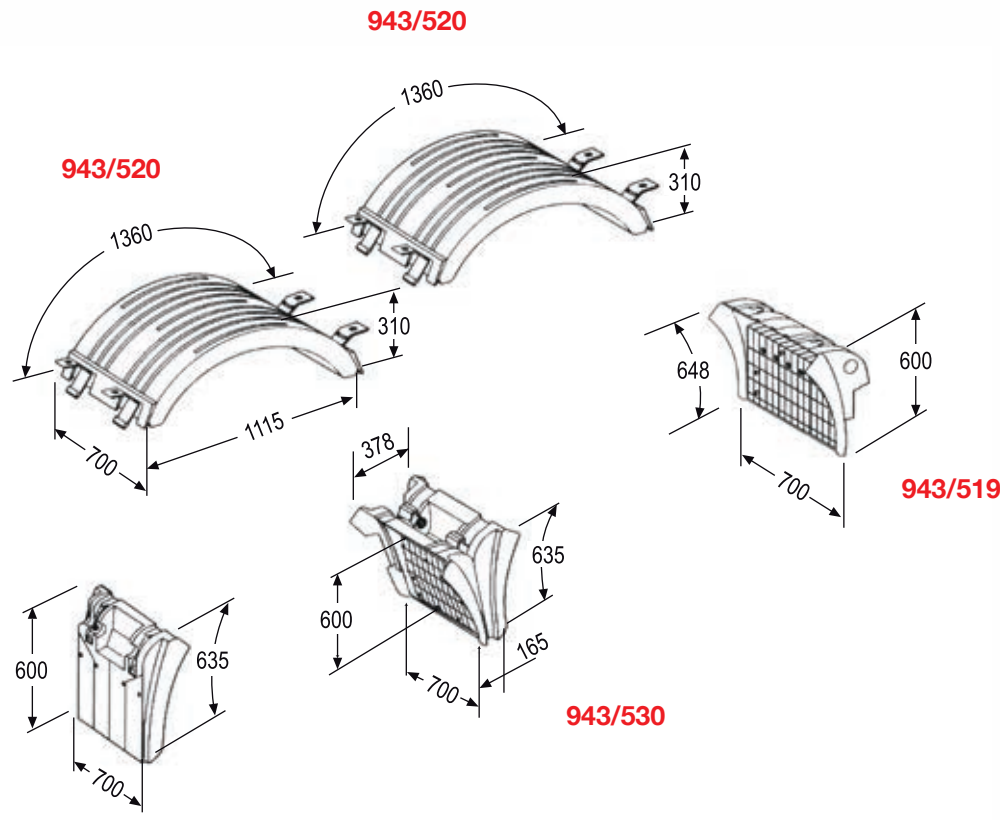
adattabile a | adaptable to:

**Actros 3**

**Actros 2 MS**

**Actros 3 MS**

**Axor seconda serie | second series**



- **Materiale: PE**
- **Material: PE**



**943/540**

O.E.: 9305210097  
peso kg.: 0,465  
colore: grigio  
Materiale: acciaio

**943/540**

O.E.: 9305210097  
weight kg.: 0,465  
color: grey  
Material: steel

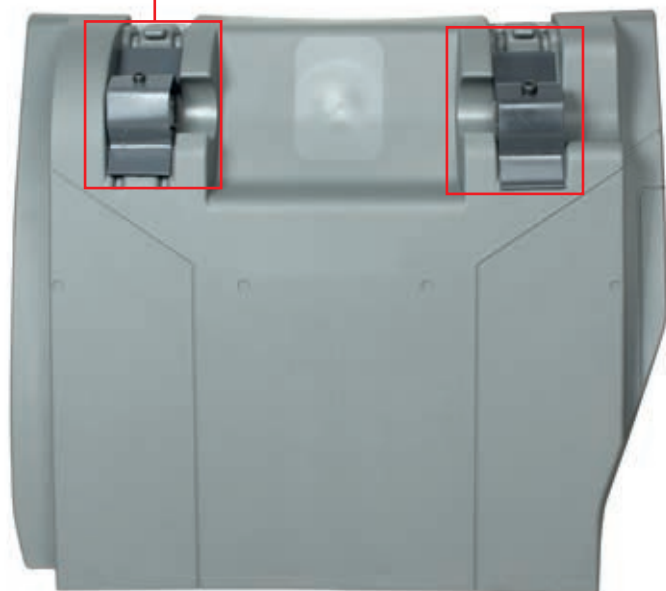


**943/541**

O.E.: 9305210197  
peso kg.: 0,470  
colore: grigio  
Materiale: acciaio

**943/541**

O.E.: 9305210197  
weight kg.: 0,470  
color: grey  
Material: steel



**943/516**  
**943/517**



**943/518**  
**943/519**

## parafanghi posteriori rear mudguards



Adattabile a: **Mercedes-Benz**  
Suitable to:

**Actros 2**

adattabile a | adaptable to:

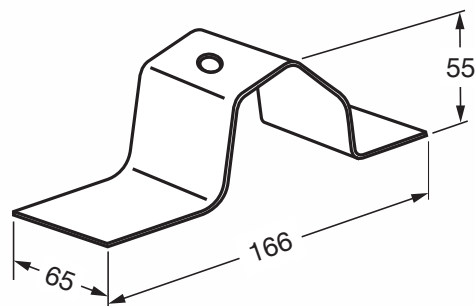
**Actros 3**

**Actros 2 MS**

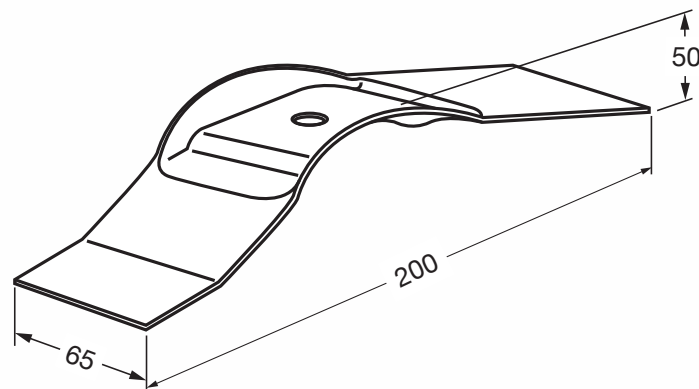
**Actros 3 MS**

**Axor seconda serie | second series**

**943/540**



**943/541**





**943/515**

O.E.: 9415220167  
peso kg.: 0,102  
colore: nero  
Materiale: PE

**943/515**

O.E.: 9415220167  
weight kg.: 0,102  
color: black  
Material: PE



**943/510**

O.E.: 9305208533  
peso kg.: 5,47  
colore: grigio scuro  
Materiale: Acciaio

**943/510**

O.E.: 9305208533  
weight kg.: 5,47  
color: dark grey  
Material: Steel



**943/512**

O.E.: 9305203133  
peso kg.: 4,565  
colore: grigio scuro  
Materiale: Acciaio

**943/512**

O.E.: 9305203133  
weight kg.: 4,565  
color: dark grey  
Material: Steel

## parafanghi posteriori rear mudguards



Adattabile a: **Mercedes-Benz**  
Suitable to:

**Actros 2**

adattabile a | adaptable to:

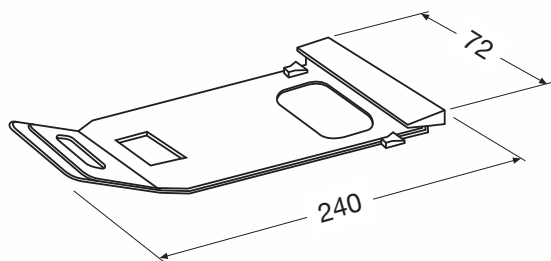
**Actros 3**

**Actros 2 MS**

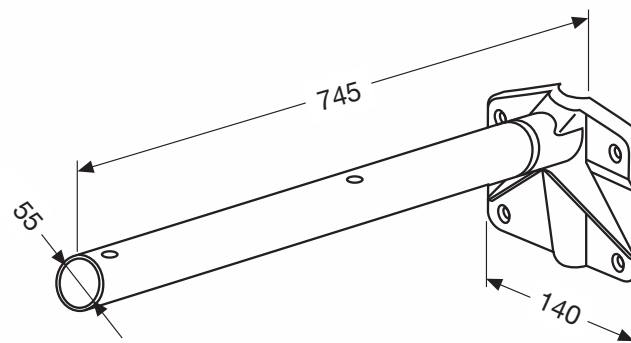
**Actros 3 MS**

**Axor seconda serie | second series**

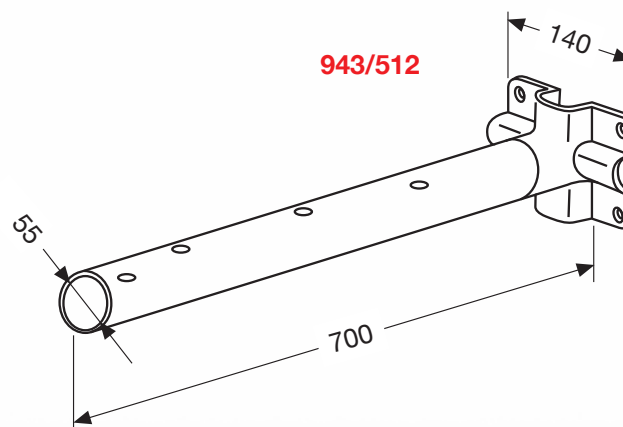
**943/515**



**943/510**



**943/512**





- **941/520**
- O.E.: 9415220004
- destro|sinistro
- peso kg.: 4,800
- colore: grigio
- CON CINGHIETTI

- 941/520**
- O.E.: 9415220004
- RH|LH
- weight kg.: 4,800
- color: grey
- WITH STRETCHERS



941/520



- 941/523**
- O.E.: 9415200320
- sinistro
- peso kg.: 7,000
- colore: grigio
- CON STAFFE
- SENZA ANTI-SPRAY

- 941/522**
- O.E.: 9415201620
- destro
- peso kg.: 7,000
- colore: grigio
- CON STAFFE
- SENZA ANTI-SPRAY

- 941/522**
- O.E.: 9415201620
- RH
- weight kg.: 7,000
- color: grey
- WITH BRACKETS
- WITHOUT ANTI-SPRAY

- 941/523**
- O.E.: 9415200320
- LH
- weight kg.: 7,000
- color: grey
- WITH BRACKETS
- WITHOUT ANTI-SPRAY

- **941/518**
- O.E.: 9415200219
- destro
- peso kg.: 7,250
- colore: grigio
- CON STAFFE

- 941/518**
- O.E.: 9415200219
- RH
- weight kg.: 7,250
- color: grey
- WITH BRACKETS

- **941/519**
- O.E.: 9415200119
- sinistro
- peso kg.: 7,250
- colore: grigio
- CON STAFFE

- 941/519**
- O.E.: 9415200119
- LH
- weight kg.: 7,250
- color: grey
- WITH BRACKETS

## parafanghi posteriori rear mudguards



Adattabile a: **Mercedes-Benz**  
Suitable to:

**Actros 1**

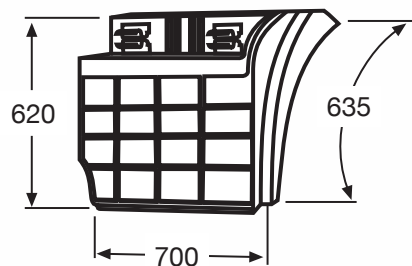
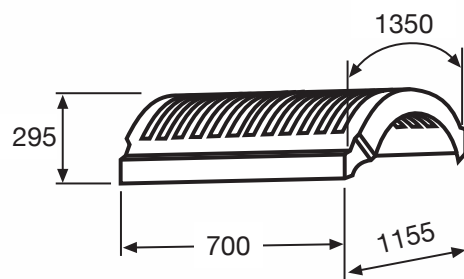
adattabile a | adaptable to:

**Actros 1 MS**

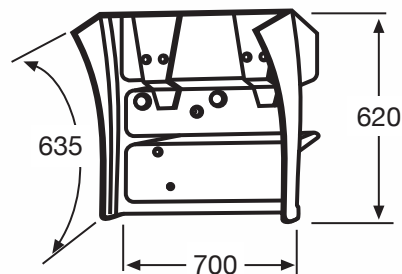
**Axor prima serie | first series**

- **Materiale: PE**
- **Material: PE**

941/520



941/518  
941/519

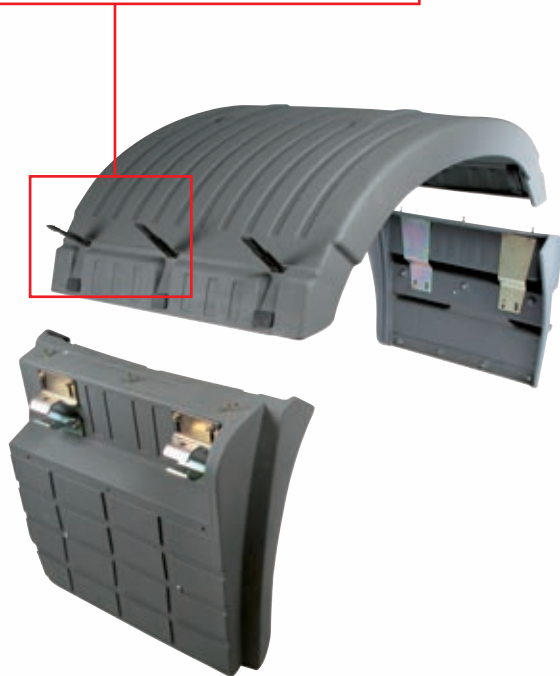


941/522  
941/523



**941/515**  
O.E.: 9415220067  
peso kg.: 0,055  
colore: grigio

**941/515**  
O.E.: 9415220067  
weight kg.: 0,055  
color: grey



## parafanghi posteriori rear mudguards

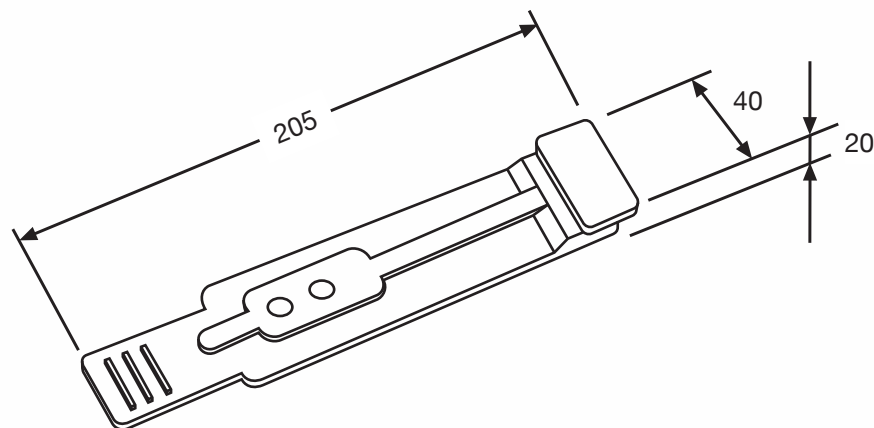


Adattabile a: **Mercedes-Benz**  
Suitable to:

**Actros 1**

**Actros 1 MS**

**Axor prima serie | first series**



- **Materiale:** EPDM
- **Material:** EPDM

**649/320**

O.E.: 6498810301

destro

peso kg.: 3,250

colore: grigio scuro

**649/320**

O.E.: 6498810301

RH

weight kg.: 3,250

color: dark grey



**649/321**

O.E.: 6498810201

sinistro

peso kg.: 3,400

colore: grigio scuro

**649/321**

O.E.: 6498810201

LH

weight kg.: 3,400

color: dark grey



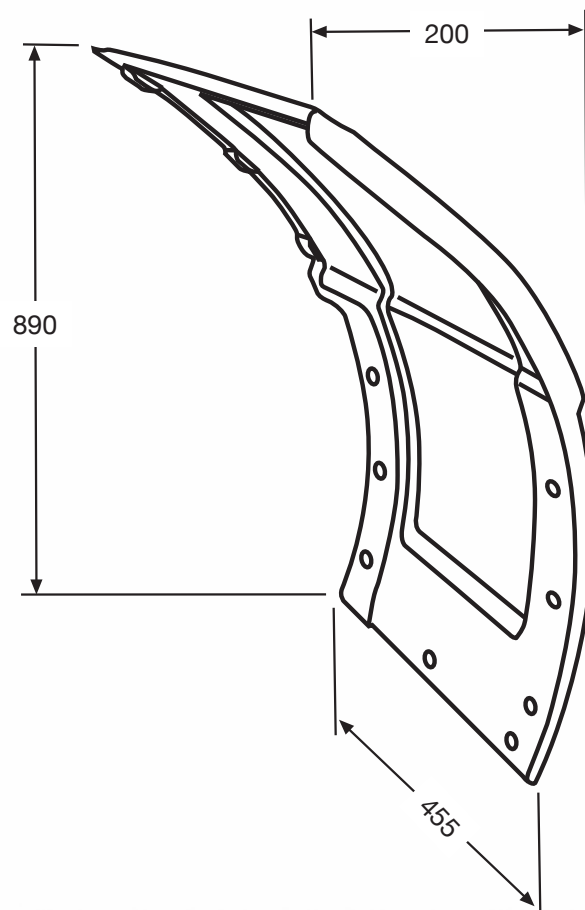




Adattabile a: **Mercedes-Benz**  
Suitable to:

## MB 649

- **Materiale:** SMC
- **Material:** SMC



Il disegno tecnico rappresenta entrambi i particolari in quanto speculari e con le stesse dimensioni.  
Same technical drawing is used to represent both items. These components are specular and with the same dimensions.

- **641/520**
  - O.E.: 6625200019
  - destro|sinistro
  - peso kg.: 3,500
  - colore: grigio scuro
  - SEMIPIATTA
  - CON CINGHIETTI
- **641/520**
  - O.E.: 6625200019
  - RH|LH
  - weight kg.: 3,500
  - color: dark grey
  - SEMI-FLAT
  - WITH STRETCHERS

- **641/515**
  - O.E.: 6625200319
  - destro|sinistro
  - peso kg.: 3,500
  - colore: grigio scuro
  - CIRCOLARE
  - SENZA CINGHIETTI
- **641/515**
  - O.E.: 6625200319
  - RH|LH
  - weight kg.: 3,500
  - color: dark grey
  - CIRCULAR
  - WITHOUT STRETCHERS



641/510

- **641/510**
- O.E.: 6625200219
- destro|sinistro
- peso kg.: 3,410
- colore: grigio scuro
- SENZA ANTI-SPRAY
- CON STAFFE

- **641/510**
- O.E.: 6625200219
- RH|LH
- weight kg.: 3,410
- color: dark grey
- WITHOUT ANTI-SPRAY
- WITH BRACKETS



641/510

641/510

# parafanghi posteriori rear mudguards



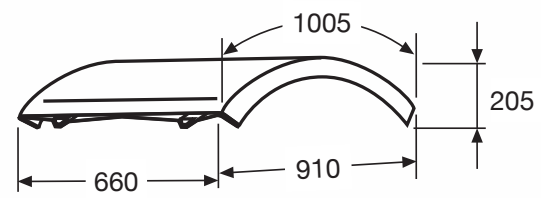
Adattabile a: **Mercedes-Benz**  
Suitable to:

**MB 641**

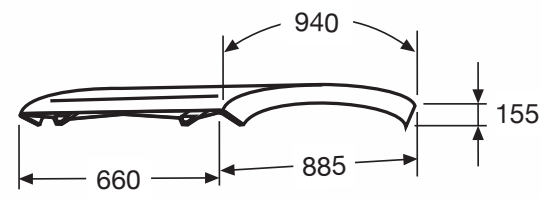
adattabile a | adaptable to:

**MB 649**

**641/515**

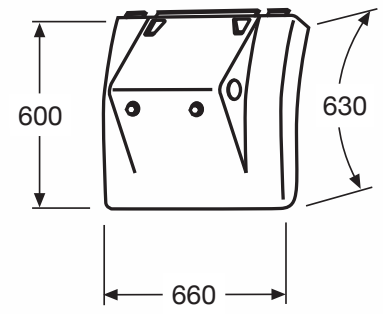


**641/520**

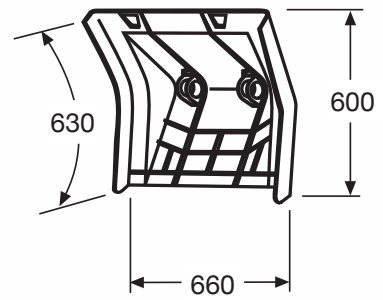


- **Materiale: PP**
- **Material: PP**

**641/510**



**641/510**





**641/525**  
O.E.: 9445220167  
peso kg.: 0,050  
colore: grigio scuro

**641/525**  
O.E.: 9445220167  
weight kg.: 0,050  
color: dark grey



**XF0/517**  
O.E.: -  
peso kg.: 0,117  
colore: zincata

**XF0/517**  
O.E.: -  
weight kg.: 0,117  
color: galvanized

## parafanghi posteriori rear mudguards



Adattabile a: **Mercedes-Benz**  
Suitable to:

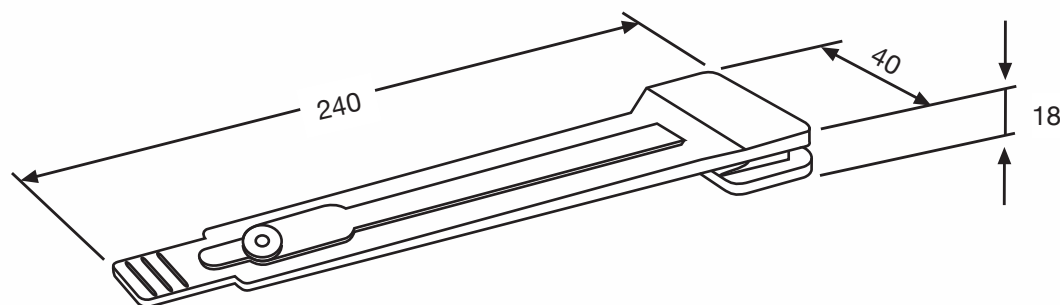
**MB 641**

adattabile a | adaptable to:

**MB 649**

**Renault Premium**

- **Materiale:** EPDM
- **Material:** EPDM





**381/314**  
O.E.: 3818813001  
destro  
peso kg.: 1,700  
colore: grigio

**381/314**  
O.E.: 3818813001  
RH  
weight kg.: 1,700  
color: grey



**381/315**  
O.E.: 3818812901  
sinistro  
peso kg.: 1,700  
colore: grigio

**381/315**  
O.E.: 3818812901  
LH  
weight kg.: 1,700  
color: grey

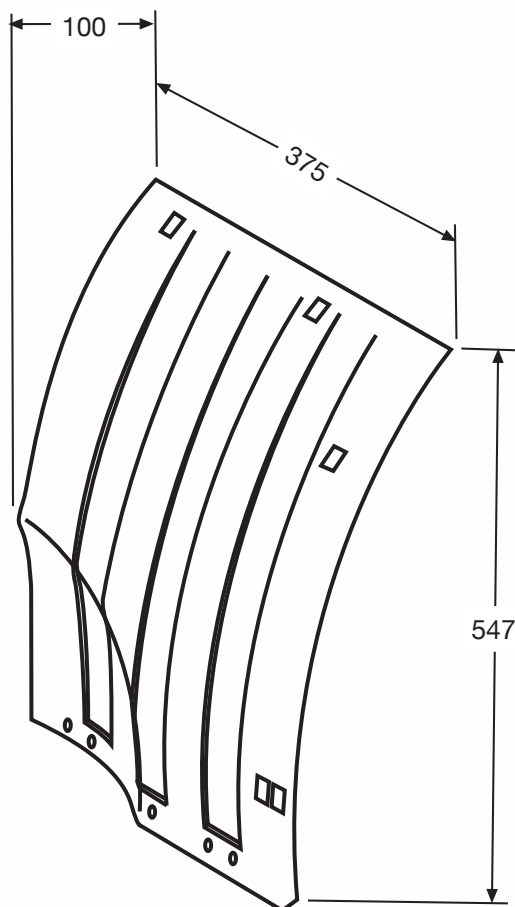




Adattabile a: **Mercedes-Benz**  
Suitable to:

## MB 381

- **Materiale:** Lamiera
- **Material:** Sheet



Il disegno tecnico rappresenta entrambi i particolari in quanto speculari e con le stesse dimensioni.  
Same technical drawing is used to represent both items. These components are specular and with the same dimensions.

**381/320**

O.E.: 3818800906

destro

peso kg.: 6,200

colore: grigio

**381/320**

O.E.: 3818800906

RH

weight kg.: 6,200

color: grey

**381/321**

O.E.: 3818800806

sinistro

peso kg.: 6,200

colore: grigio

**381/321**

O.E.: 3818800806

LH

weight kg.: 6,200

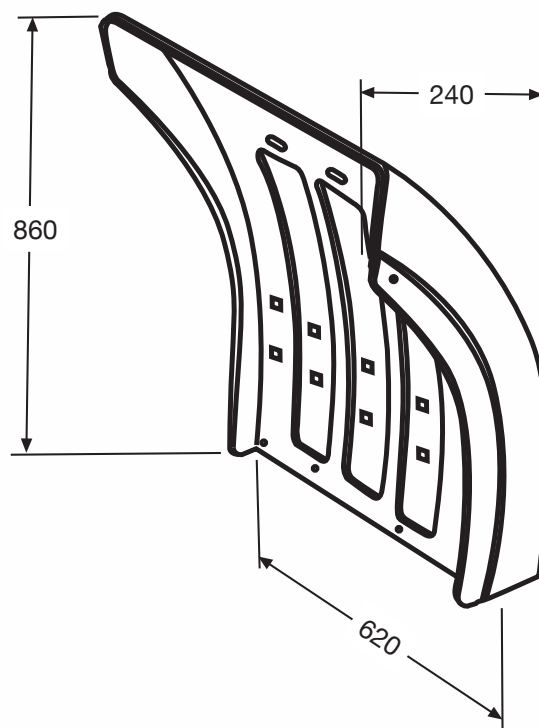
color: grey





Adattabile a: **Mercedes-Benz**  
Suitable to: **MB 381**

- **Materiale:** Lamiera
- **Material:** Sheet



Il disegno tecnico rappresenta entrambi i particolari in quanto speculari e con le stesse dimensioni.  
Same technical drawing is used to represent both items. These components are specular and with the same dimensions.

**347/320**

O.E.: 3228800124

destro

peso kg.: 0,860

colore: nero

**347/320**

O.E.: 3228800124

RH

weight kg.: 0,860

color: black



**347/321**

O.E.: 3228800024

sinistro

peso kg.: 0,860

colore: nero

**347/321**

O.E.: 3228800024

LH

weight kg.: 0,860

color: black

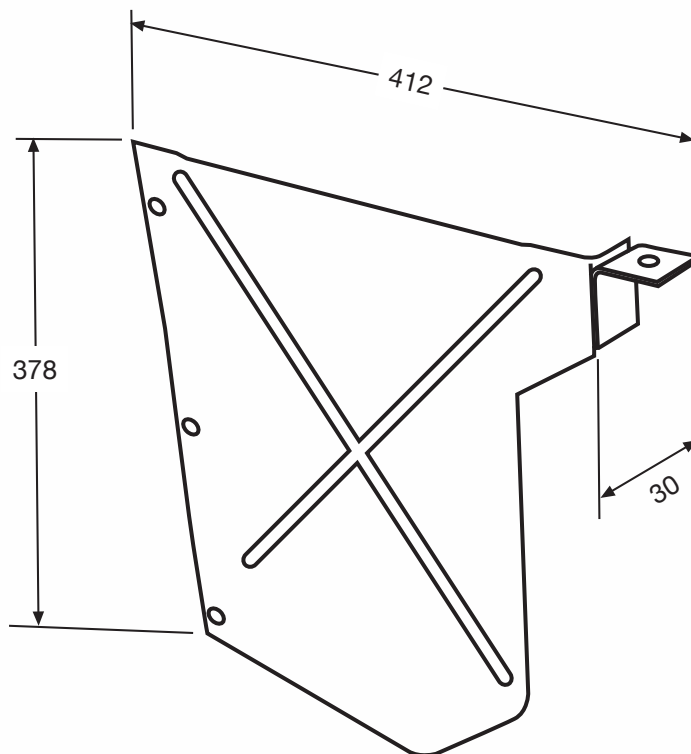






Adattabile a: **Mercedes-Benz**  
Suitable to: **MB 347**

- **Materiale:** Lamiera
- **Material:** Sheet



Il disegno tecnico rappresenta entrambi i particolari in quanto speculari e con le stesse dimensioni.  
Same technical drawing is used to represent both items. These components are specular and with the same dimensions.

**347/ 66**

O.E.: 3476205550

destro

peso kg.: 7,350

colore: rosso

**347/ 66**

O.E.: 3476205550

RH

weight kg.: 7,350

color: red



**347/ 67**

O.E.: 3476205450

sinistro

peso kg.: 7,370

colore: rosso

**347/ 67**

O.E.: 3476205450

LH

weight kg.: 7,370

color: red

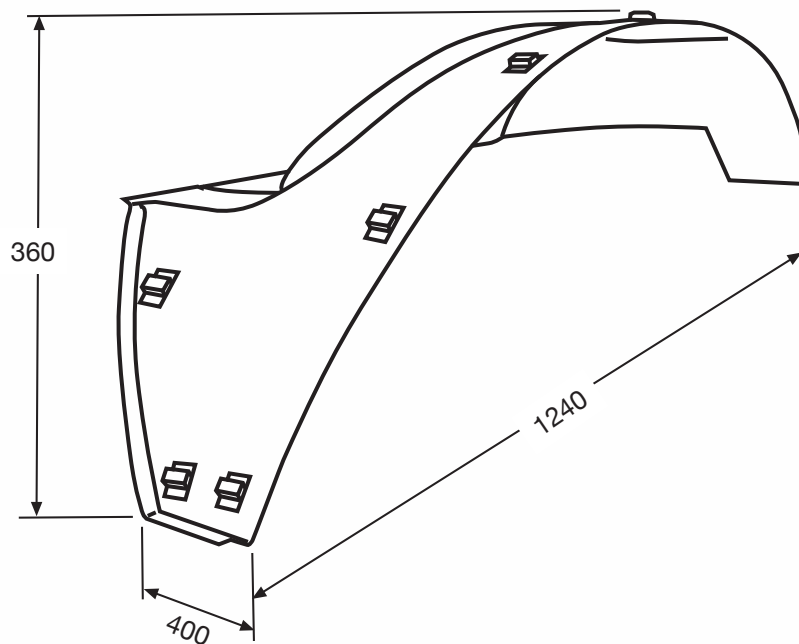


# riparifango mud protection



Adattabile a: **Mercedes-Benz**  
Suitable to: **MB 347**

- **Materiale:** Lamiera
- **Material:** Sheet



Il disegno tecnico rappresenta entrambi i particolari in quanto speculari e con le stesse dimensioni.  
Same technical drawing is used to represent both items. These components are specular and with the same dimensions.

**322/ 66**

O.E.: 3226200350

destro

peso kg.: 6,000

colore: grigio

**322/ 66**

O.E.: 3226200350

RH

weight kg.: 6,000

color: grey



**322/ 67**

O.E.: 3226200250

sinistro

peso kg.: 5,880

colore: grigio

**322/ 67**

O.E.: 3226200250

LH

weight kg.: 5,880

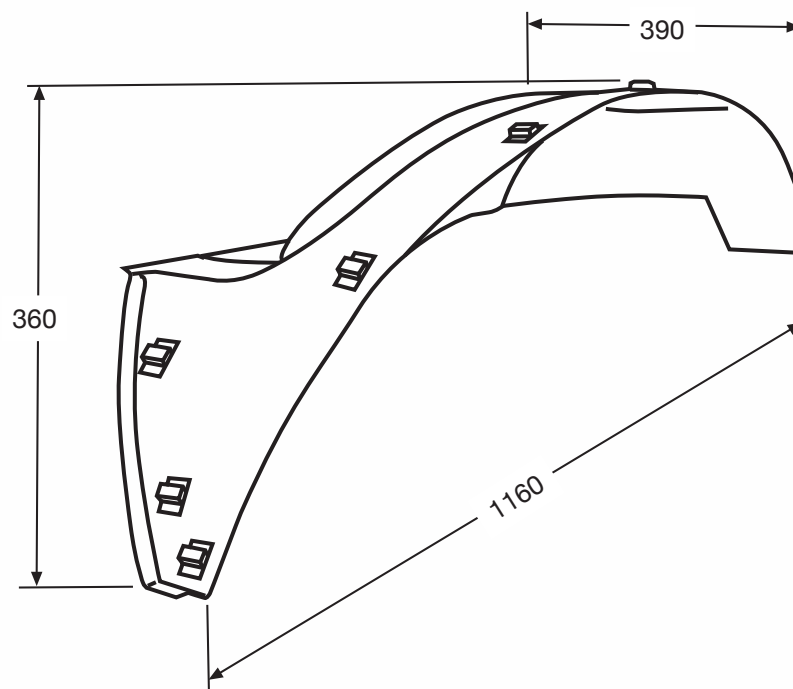
color: grey





Adattabile a: **Mercedes-Benz**  
Suitable to: **MB 322**

- **Materiale:** Lamiera
- **Material:** Sheet



Il disegno tecnico rappresenta entrambi i particolari in quanto speculari e con le stesse dimensioni.  
Same technical drawing is used to represent both items. These components are specular and with the same dimensions.



**PRM/320**

O.E.: 5010578754

destra|sinistra

peso kg.: 2,835

colore: nero

**PRM/320**

O.E.: 5010578754

RH|LH

weight kg.: 2,835

color: black

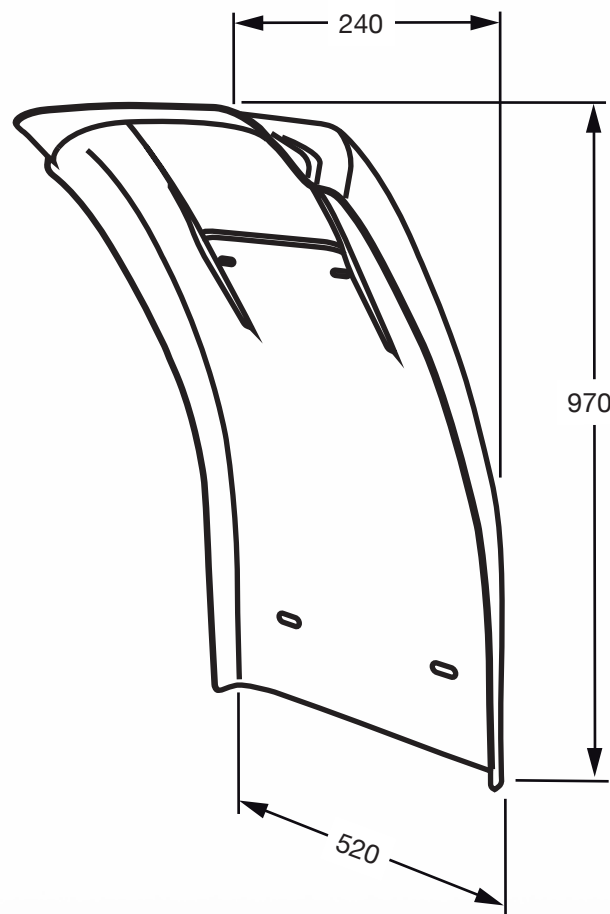




Adattabile a: **Renault**  
Suitable to: **Renault**

## New Premium

- **Materiale:** PP
- 
- **Material:** PP
- 



Il disegno tecnico rappresenta entrambi i particolari in quanto speculari e con le stesse dimensioni.  
Same technical drawing is used to represent both items. These components are specular and with the same dimensions.

- **3FH/540**
  - O.E.: 7421094390
  - destro|sinistro
  - peso kg.: 3,160
  - colore: grigio
  - SEMIPIATTA
  - CON CINGHIETTI
- **3FH/540**
  - O.E.: 7421094390
  - RH|LH
  - weight kg.: 3,160
  - color: grey
  - SEMI-FLAT
  - WITH STRETCHERS

**3FH/515**  
O.E.: 7421094391  
7422087684  
destro|sinistro  
peso kg.: 1,610  
colore: grigio

**3FH/515**  
O.E.: 7421094391  
7422087684  
RH|LH  
weight kg.: 1,610  
color: grey



**3FH/525**  
O.E.: 7421094394  
7421094400  
destro|sinistro  
peso kg.: 1,825  
colore: grigio  
SENZA ANTI-SPRAY

**3FH/525**  
O.E.: 7421094394  
7421094400  
RH|LH  
weight kg.: 1,825  
color: grey  
WITHOUT ANTI-SPRAY



# parafanghi posteriori rear mudguards

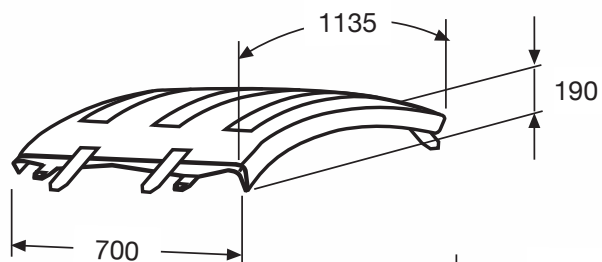


Adattabile a: **Renault**  
Suitable to:

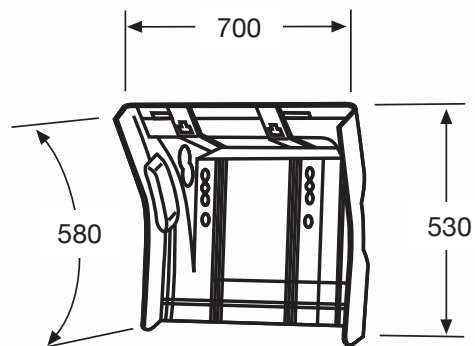
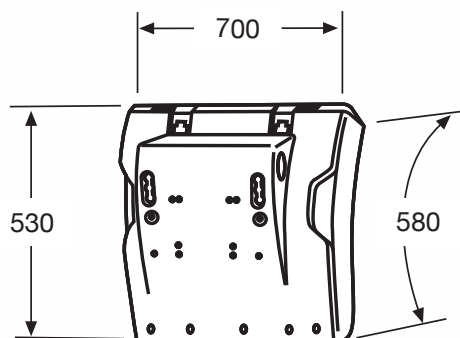
**New Premium**  
adattabile a | adaptable to:  
**Magnum seconda serie | second series**  
**Range T**

- **Materiale: PP**
- **Material: PP**

**3FH/540**



**3FH/515**



**3FH/525**

- **3FH/540**
- O.E.: 7421094390
- destro|sinistro
- peso kg.: 3,160
- colore: grigio
- SEMIPIATTA
- CON CINGHIETTI

- **3FH/540**
- O.E.: 7421094390
- RH|LH
- weight kg.: 3,160
- color: grey
- SEMI-FLAT
- WITH STRETCHERS

- **3FH/515**
- O.E.: 7421094391
- 7422087684
- destro|sinistro
- peso kg.: 1,610
- colore: grigio

- **3FH/515**
- O.E.: 7421094391
- 7422087684
- RH|LH
- weight kg.: 1,610
- color: grey



**3FH/515**



# parafanghi posteriori rear mudguards



Adattabile a: **Renault**  
Suitable to:

**New Premium**

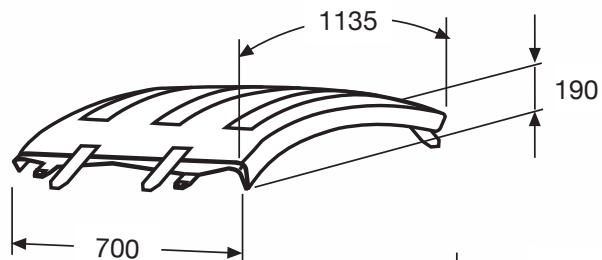
adattabile a | adaptable to:

Magnum seconda serie | second series

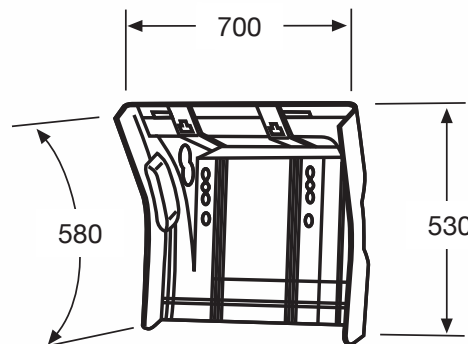
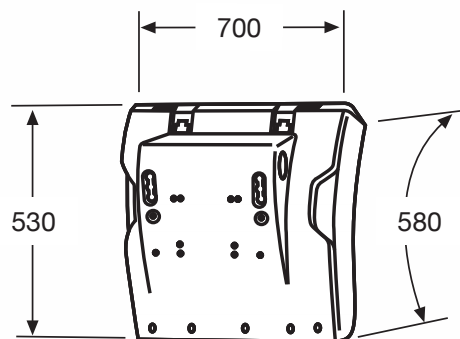
Kerax seconda serie | second series

Range T

**3FH/540**



**3FH/515**

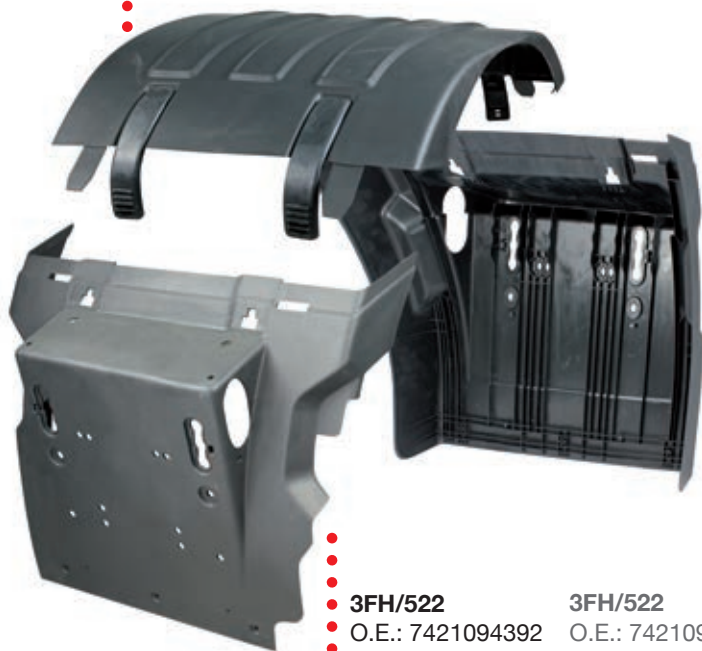


**3FH/515**

- **Materiale: PP**
- **Material: PP**

- **3FH/540**
- O.E.: 7421094390
- destro|sinistro
- peso kg.: 3,160
- colore: grigio
- SEMIPIATTA
- CON CINGHIETTI

- **3FH/540**
- O.E.: 7421094390
- RH|LH
- weight kg.: 3,160
- color: grey
- SEMI-FLAT
- WITH STRETCHERS



- **3FH/522**
- O.E.: 7421094392
- 7421305345
- 7422087701
- destro
- peso kg.: 1,410
- colore: grigio

- **3FH/522**
- O.E.: 7421094392
- 7421305345
- 7422087701
- RH
- weight kg.: 1,410
- color: grey

- **3FH/525**
- O.E.: 7421094394
- 7421094400
- destro|sinistro
- peso kg.: 1,825
- colore: grigio
- SENZA ANTI-SPRAY

- **3FH/525**
- O.E.: 7421094394
- 7421094400
- RH|LH
- weight kg.: 1,825
- color: grey
- WITHOUT ANTI-SPRAY



**3FH/540**



**3FH/525**

- **3FH/523**
- O.E.: 7421094393
- 7421305346
- 7422087703
- sinistro
- peso kg.: 1,410
- colore: grigio
- SENZA ANTI-SPRAY

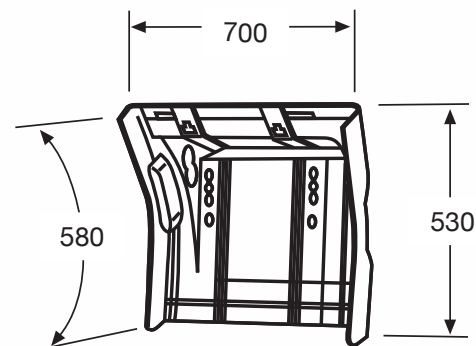
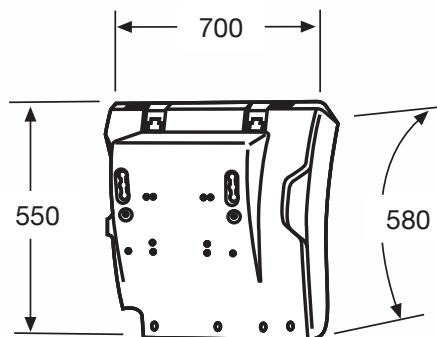
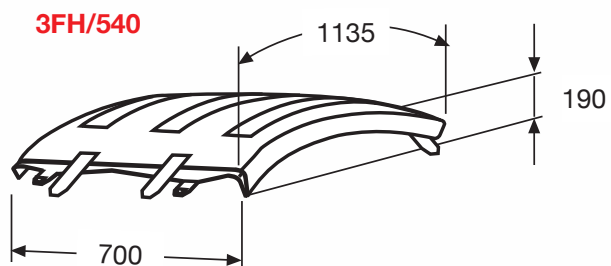
- **3FH/523**
- O.E.: 7421094393
- 7421305346
- 7422087703
- LH
- weight kg.: 1,410
- color: grey
- WITHOUT ANTI-SPRAY

# parafanghi posteriori rear mudguards



Adattabile a: **Renault**  
Suitable to:

**New Premium**  
adattabile a | adaptable to:  
**Magnum seconda serie | second series**  
**Range T**



- **Materiale: PP**
- **Material: PP**

- **3FH/535**
  - O.E.: 7421094389
  - destro|sinistro
  - peso kg.: 2,745
  - colore: grigio
  - PIATTA
  - CON CINGHIETTI
- **3FH/535**
  - O.E.: 7421094389
  - RH|LH
  - weight kg.: 2,745
  - color: grey
  - FLAT
  - WITH STRETCHERS



- **3FH/515**
- O.E.: 7421094391  
7422087684
- destro|sinistro
- peso kg.: 1,610
- colore: grigio

- **3FH/515**
- O.E.: 7421094391  
7422087684
- RH|LH
- weight kg.: 1,610
- color: grey



- **3FH/525**
- O.E.: 7421094394  
7421094400
- destro|sinistro
- peso kg.: 1,825
- colore: grigio
- SENZA ANTI-SPRAY

- **3FH/525**
- O.E.: 7421094394  
7421094400
- RH|LH
- weight kg.: 1,825
- color: grey
- WITHOUT ANTI-SPRAY



# parafanghi posteriori rear mudguards

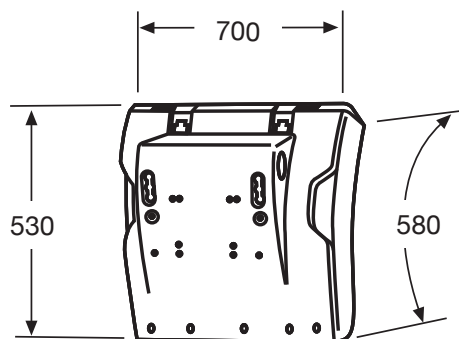
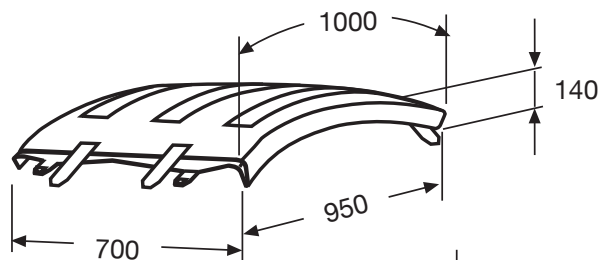


Adattabile a: **Renault**  
Suitable to:

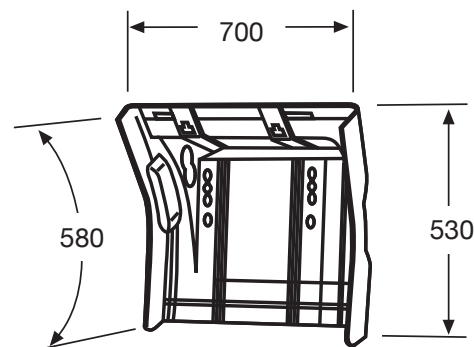
**New Premium**  
adattabile a | adaptable to:  
**Magnum seconda serie | second series**  
**Range T**

- **Materiale: PP**
- **Material: PP**

**3FH/535**



**3FH/515**



**3FH/525**



- **3FH/535**
- O.E.: 7421094389
- destro|sinistro
- peso kg.: 2,745
- colore: grigio
- PIATTA
- CON CINGHIETTI

- 3FH/535**
- O.E.: 7421094389
- RH|LH
- weight kg.: 2,745
- color: grey
- FLAT
- WITH STRETCHERS

**3FH/515**  
O.E.: 7421094391  
7422087684  
destro|sinistro  
peso kg.: 1,610  
colore: grigio



**3FH/515**  
O.E.: 7421094391  
7422087684  
RH|LH  
weight kg.: 1,610  
color: grey



**3FH/515**

# parafanghi posteriori rear mudguards



Adattabile a: **Renault**  
Suitable to:

**New Premium**

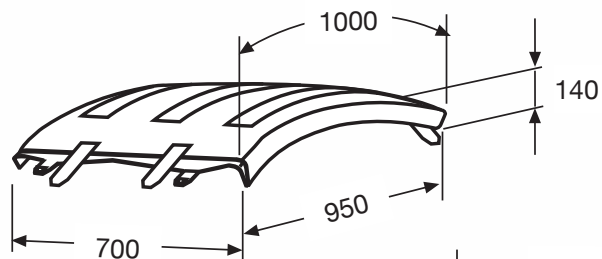
adattabile a | adaptable to:

Magnum seconda serie | second series

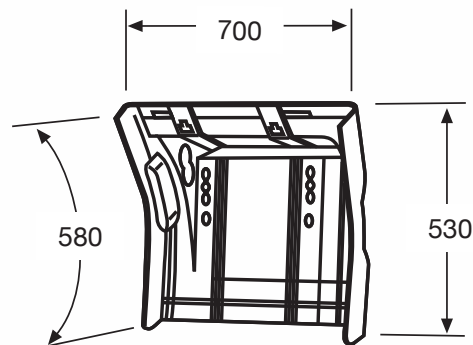
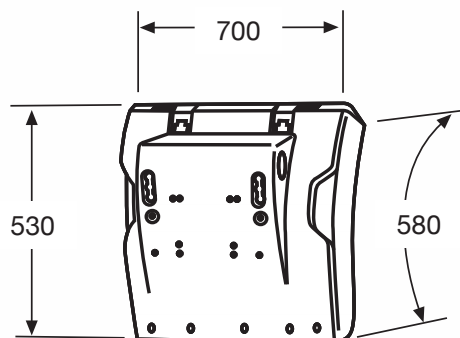
Kerax seconda serie | second series

Range T

**3FH/535**



**3FH/515**



**3FH/515**

- **Materiale: PP**
- **Material: PP**

**3FH/535**

- O.E.: 7421094389
- destro|sinistro
- peso kg.: 2,745
- colore: grigio
- PIATTA
- CON CINGHIETTI
- E INNESTI

**3FH/535**

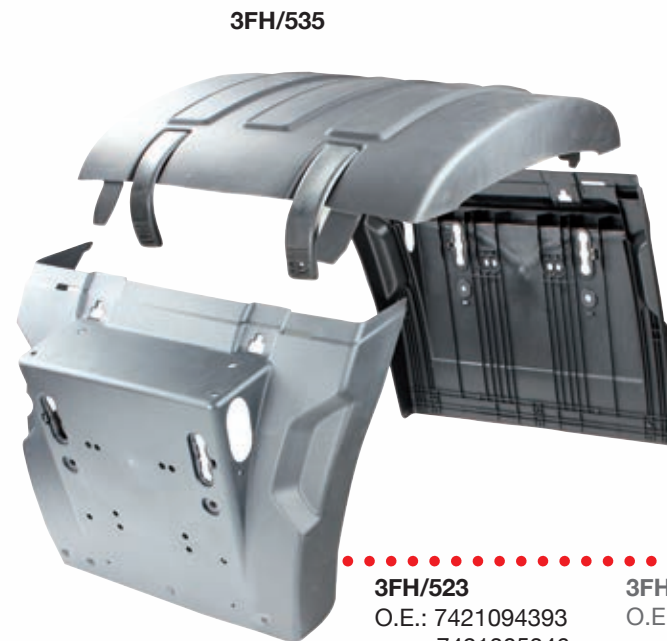
- O.E.: 7421094389
- RH|LH
- weight kg.: 2,745
- color: grey
- FLAT
- WITH STRETCHERS
- AND CONNECTIONS

**3FH/525**

- O.E.: 7421094394
- 7421094400
- destro|sinistro
- peso kg.: 1,825
- colore: grigio
- SENZA ANTI-SPRAY

**3FH/525**

- O.E.: 7421094394
- 7421094400
- RH|LH
- weight kg.: 1,825
- color: grey
- WITHOUT ANTI-SPRAY



**3FH/535**

**3FH/525**

**3FH/522**

- O.E.: 7421094392
- 7421305345
- 7422087701
- destro
- peso kg.: 1,410
- colore: grigio

**3FH/522**

- O.E.: 7421094392
- 7421305345
- 7422087701
- RH
- weight kg.: 1,410
- color: grey

**3FH/523**

- O.E.: 7421094393
- 7421305346
- 7422087703
- sinistro
- peso kg.: 1,410
- colore: grigio
- SENZA ANTI-SPRAY

**3FH/523**

- O.E.: 7421094393
- 7421305346
- 7422087703
- LH
- weight kg.: 1,410
- color: grey
- WITHOUT ANTI-SPRAY

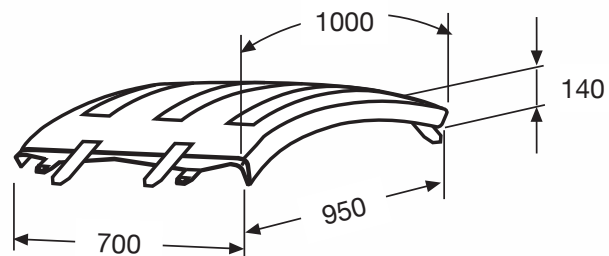
# parafanghi posteriori rear mudguards



Adattabile a: **Renault**  
Suitable to:

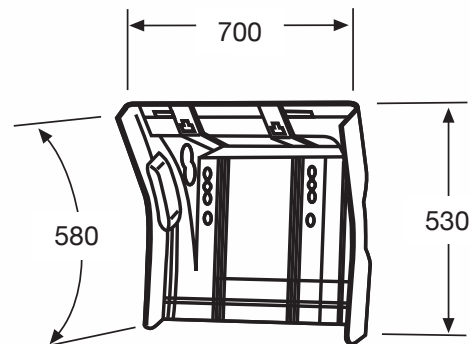
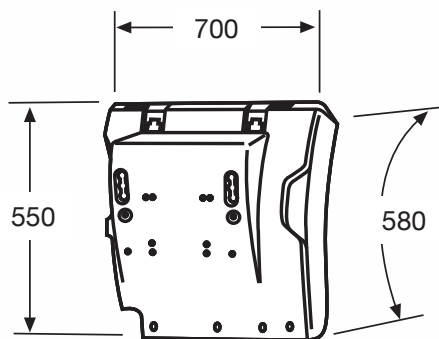
**New Premium**  
adattabile a | adaptable to:  
**Magnum seconda serie | second series**  
**Range T**

**3FH/535**



- **Materiale: PP**
- **Material: PP**

**3FH/522**  
**3FH/523**



**3FH/525**

- **3FH/530**
  - O.E.: 7421094387
  - destro|sinistro
  - peso kg.: 2,795
  - colore: grigio
  - CIRCOLARE
  - SENZA CINGHIETTI
- **3FH/530**
  - O.E.: 7421094387
  - RH|LH
  - weight kg.: 2,795
  - color: grey
  - CIRCULAR
  - WITHOUT STRETCHERS

**3FH/515**  
O.E.: 7421094391  
7422087684  
destro|sinistro  
peso kg.: 1,610  
colore: grigio

**3FH/515**  
O.E.: 7421094391  
7422087684  
RH|LH  
weight kg.: 1,610  
color: grey



- **3FH/525**
  - O.E.: 7421094394  
7421094400
  - destro|sinistro
  - peso kg.: 1,825
  - colore: grigio
  - SENZA ANTI-SPRAY
- **3FH/525**
  - O.E.: 7421094394  
7421094400
  - RH|LH
  - weight kg.: 1,825
  - color: grey
  - WITHOUT ANTI-SPRAY





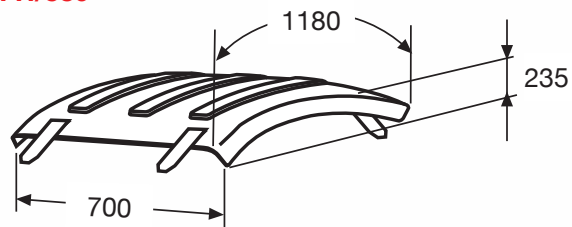
# parafanghi posteriori rear mudguards



Adattabile a: **Renault**  
Suitable to:

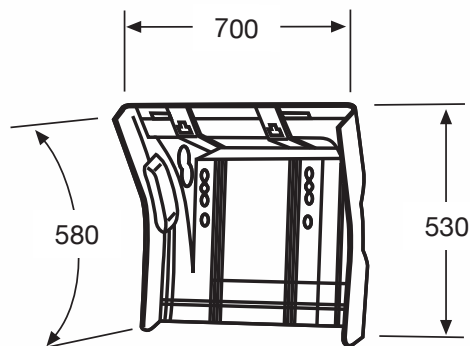
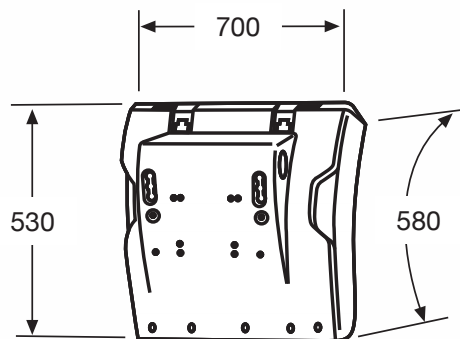
**New Premium**  
adattabile a | adaptable to:  
**Magnum seconda serie | second series**  
**Range T**

**3FH/530**



- **Materiale: PP**
- **Material: PP**

**3FH/515**



**3FH/525**

- **3FH/530**
  - O.E.: 7421094387
  - destro|sinistro
  - peso kg.: 2,795
  - colore: grigio
  - CIRCOLARE
  - SENZA CINGHIETTI
- **3FH/530**
  - O.E.: 7421094387
  - RH|LH
  - weight kg.: 2,795
  - color: grey
  - CIRCULAR
  - WITHOUT STRETCHERS

- **3FH/515**
- O.E.: 7421094391
- 7422087684
- destro|sinistro
- peso kg.: 1,610
- colore: grigio

- **3FH/515**
- O.E.: 7421094391
- 7422087684
- RH|LH
- weight kg.: 1,610
- color: grey



**3FH/515**

# parafanghi posteriori rear mudguards



Adattabile a: **Renault**  
Suitable to:

**New Premium**

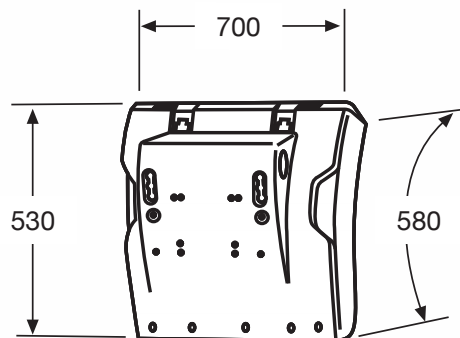
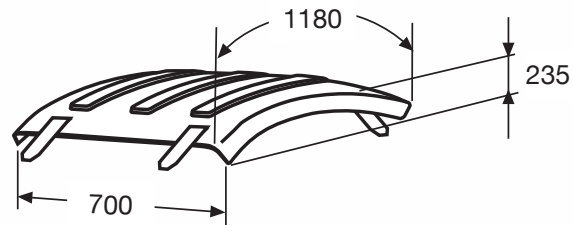
adattabile a | adaptable to:

Magnum seconda serie | second series

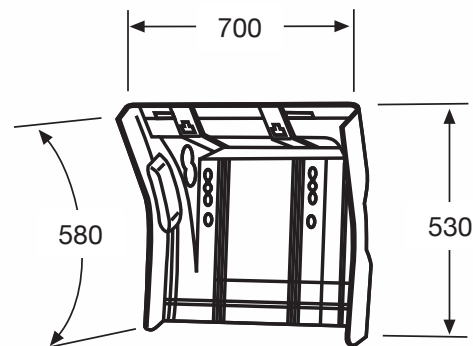
Kerax seconda serie | second series

Range T

**3FH/530**



**3FH/515**



**3FH/515**

- **Materiale: PP**
- **Material: PP**

- **3FH/530**
- O.E.: 7421094387
- destro|sinistro
- peso kg.: 2,795
- colore: grigio
- CIRCOLARE
- SENZA CINGHIETTI

- 3FH/530**
- O.E.: 7421094387
- RH|LH
- weight kg.: 2,795
- color: grey
- CIRCULAR
- WITHOUT STRETCHERS

- **3FH/525**
- O.E.: 7421094394
- 7421094400
- destro|sinistro
- peso kg.: 1,825
- colore: grigio
- SENZA ANTI-SPRAY

- 3FH/525**
- O.E.: 7421094394
- 7421094400
- RH|LH
- weight kg.: 1,825
- color: grey
- WITHOUT ANTI-SPRAY



- **3FH/522**
- O.E.: 7421094392
- 7421305345
- 7422087701
- destro
- peso kg.: 1,410
- colore: grigio

- 3FH/522**
- O.E.: 7421094392
- 7421305345
- 7422087701
- RH
- weight kg.: 1,410
- color: grey



**3FH/530**



**3FH/525**

- **3FH/523**
- O.E.: 7421094393
- 7421305346
- 7422087703
- sinistro
- peso kg.: 1,410
- colore: grigio
- SENZA ANTI-SPRAY

- 3FH/523**
- O.E.: 7421094393
- 7421305346
- 7422087703
- LH
- weight kg.: 1,410
- color: grey
- WITHOUT ANTI-SPRAY

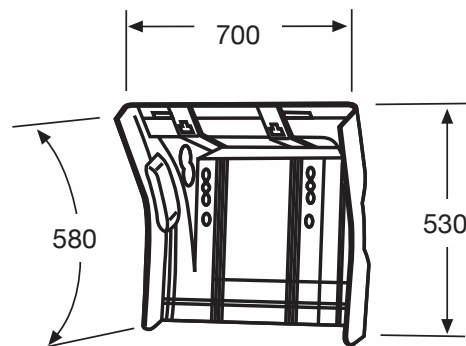
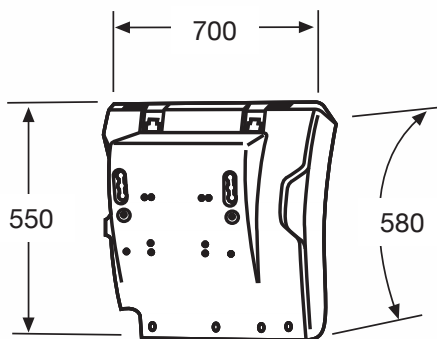
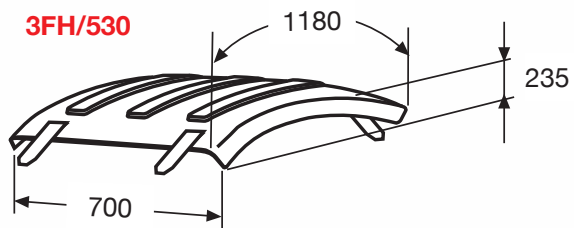
# parafanghi posteriori rear mudguards



Adattabile a: **Renault**  
Suitable to: **Renault**

**New Premium**  
adattabile a | adaptable to:  
**Magnum seconda serie | second series**  
**Range T**

- **Materiale: PP**
- **Material: PP**





- **3FH/520**
  - O.E.: 7421094388
  - destro|sinistro
  - peso kg.: 3,415
  - colore: grigio
  - SEMIPIATTA
  - CON CINGHIETTI
- **3FH/520**
  - O.E.: 7421094388
  - RH|LH
  - weight kg.: 3,415
  - color: grey
  - SEMI-FLAT
  - WITH STRETCHERS

- **3FH/515**
- O.E.: 7421094391
- 7422087684
- destro|sinistro
- peso kg.: 1,610
- colore: grigio

- **3FH/515**
- O.E.: 7421094391
- 7422087684
- RH|LH
- weight kg.: 1,610
- color: grey



- **3FH/525**
  - O.E.: 7421094394
  - 7421094400
  - destro|sinistro
  - peso kg.: 1,825
  - colore: grigio
  - SENZA ANTI-SPRAY
- **3FH/525**
  - O.E.: 7421094394
  - 7421094400
  - RH|LH
  - weight kg.: 1,825
  - color: grey
  - WITHOUT ANTI-SPRAY



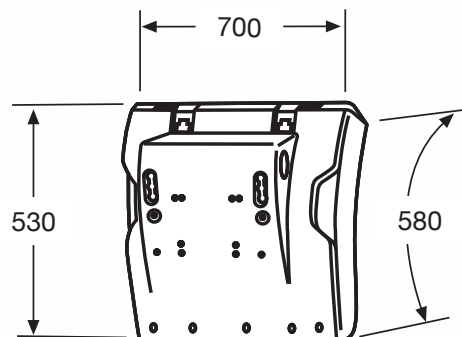
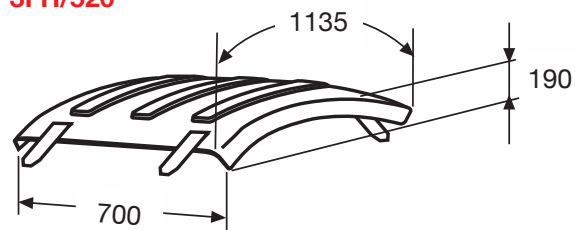
# parafanghi posteriori rear mudguards



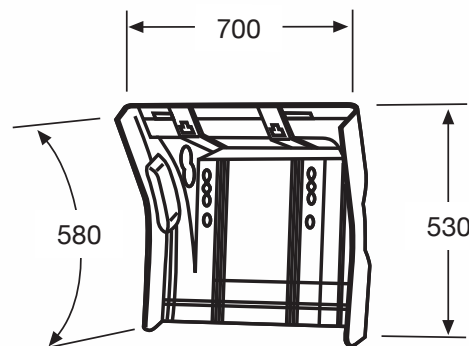
Adattabile a: **Renault**  
Suitable to:

**New Premium**  
adattabile a | adaptable to:  
**Magnum seconda serie | second series**  
**Range T**

**3FH/520**



**3FH/515**



**3FH/525**

- **Materiale: PP**
- **Material: PP**



# parafanghi posteriori rear mudguards

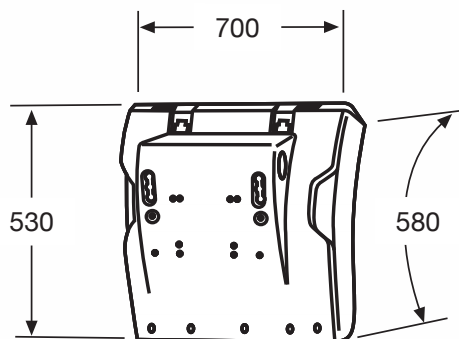
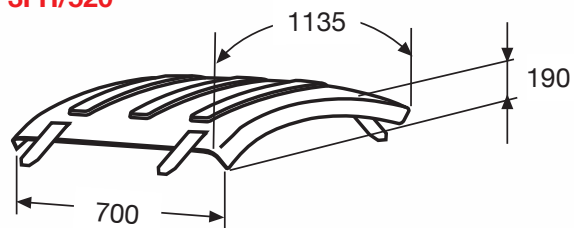


Adattabile a: **Renault**  
Suitable to:

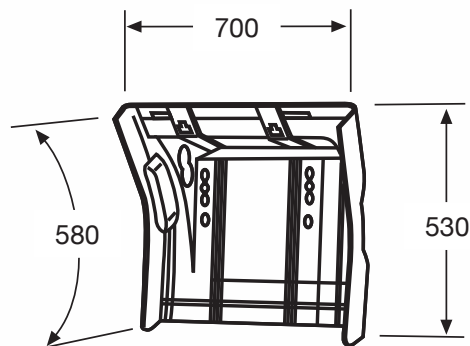
**New Premium**  
adattabile a | adaptable to:  
**Range T**

- Materiale: PP
- Material: PP

**3FH/520**



**3FH/515**



**3FH/515**

- **3FH/520**
- O.E.: 7421094388
- RH|LH
- weight kg.: 3,415
- color: grey
- SEMI-FLAT
- WITH STRETCHERS

- **3FH/520**
- O.E.: 7421094388
- RH|LH
- weight kg.: 3,415
- color: grey
- SEMI-FLAT
- WITH STRETCHERS

- **3FH/525**
- O.E.: 7421094394
- 7421094400
- destro|sinistro
- peso kg.: 1,825
- colore: grigio
- SENZA ANTI-SPRAY

- **3FH/525**
- O.E.: 7421094394
- 7421094400
- RH|LH
- weight kg.: 1,825
- color: grey
- WITHOUT ANTI-SPRAY



- **3FH/522**
- O.E.: 7421094392
- 7421305345
- 7422087701
- destro
- peso kg.: 1,410
- colore: grigio

- **3FH/522**
- O.E.: 7421094392
- 7421305345
- 7422087701
- RH
- weight kg.: 1,410
- color: grey

**3FH/520**



**3FH/525**

- **3FH/523**
- O.E.: 7421094393
- 7421305346
- 7422087703
- sinistro
- peso kg.: 1,410
- colore: grigio
- SENZA ANTI-SPRAY

- **3FH/523**
- O.E.: 7421094393
- 7421305346
- 7422087703
- LH
- weight kg.: 1,410
- color: grey
- WITHOUT ANTI-SPRAY



# parafanghi posteriori rear mudguards



Adattabile a: **Renault**  
Suitable to: **Renault**

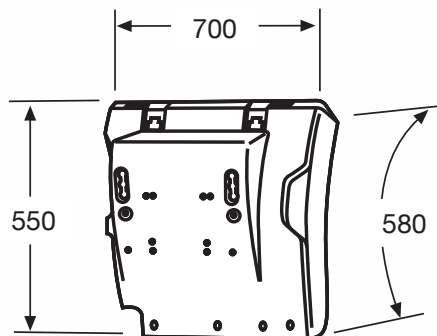
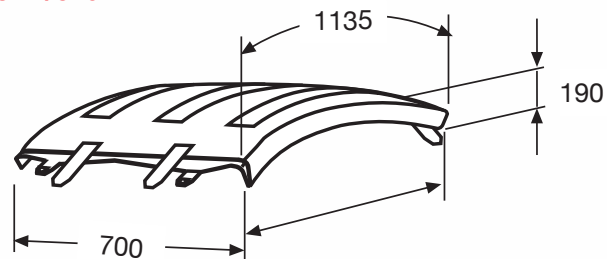
**New Premium**  
adattabile a | adaptable to:

Magnum seconda serie | second series

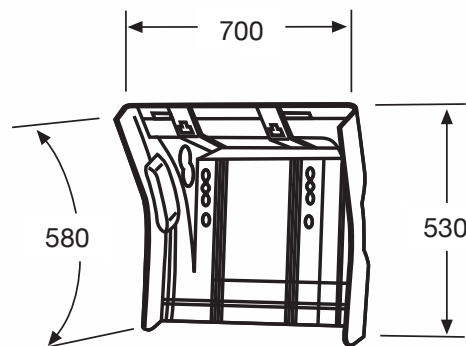
Range T

- Materiale: PP
- Material: PP

**3FH/520**



**3FH/522**  
**3FH/523**



**3FH/525**

**3FH/510**

O.E.: 7421094457  
peso kg.: 0,115  
colore: grigio

**3FH/510**

O.E.: 7421094457  
weight kg.: 0,115  
color: grey



**3FH/524**

O.E.: 7421094447  
destro|sinistro  
peso kg.: 0,460  
colore: nero  
Materiale: PP

**3FH/524**

O.E.: 7421094447  
RH|LH  
weight kg.: 0,460  
color: black  
Materiale: PP

## parafanghi posteriori rear mudguards



Adattabile a: **Renault**  
Suitable to:

**New Premium**

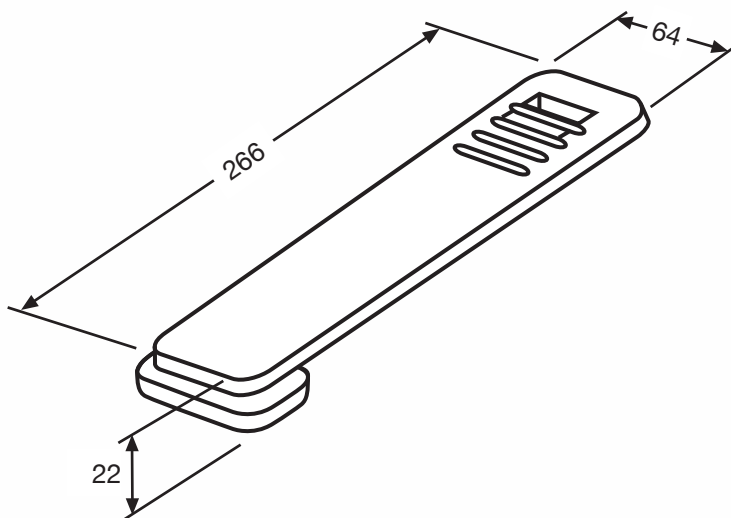
adattabile a | adaptable to:

Magnum seconda serie | second series

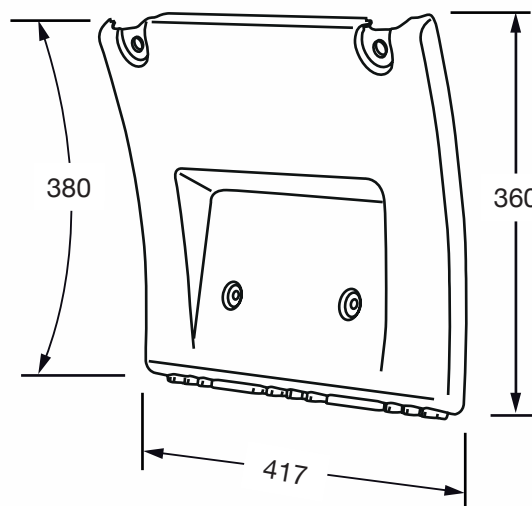
Kerax seconda serie | second series

Range T

**3FH/510**



**3FH/524**



- **Materiale: PP**
- **Material: PP**

- **PRM/525**
  - O.E.: 7420936768
  - destro|sinistro
  - peso kg.: 2,630
  - colore: grigio
  - SEMIPIATTA
  - CON CINGHIETTI
- |                 |                   |
|-----------------|-------------------|
| <b>PRM/525</b>  | O.E.: 7420936768  |
| RH LH           | weight kg.: 2,630 |
| color: grey     | SEMI-FLAT         |
| WITH STRETCHERS |                   |



2FH/505



- **2FH/505**
- O.E.: 7420583488
- destro|sinistro
- peso kg.: 1,225
- colore: grigio
- SENZA STAFFE



- **2FH/505**
- O.E.: 7420583488
- RH|LH
- weight kg.: 1,225
- color: grey
- WITHOUT BRACKETS

- **2FH/520**
  - O.E.: 7420936772
  - destro|sinistro
  - peso kg.: 2,795
  - colore: grigio
  - CIRCOLARE
  - SENZA CINGHIETTI
- |                    |                   |
|--------------------|-------------------|
| <b>2FH/520</b>     | O.E.: 7420936772  |
| RH LH              | weight kg.: 2,795 |
| color: grey        | CIRCULAR          |
| WITHOUT STRETCHERS |                   |



2FH/505



2FH/505

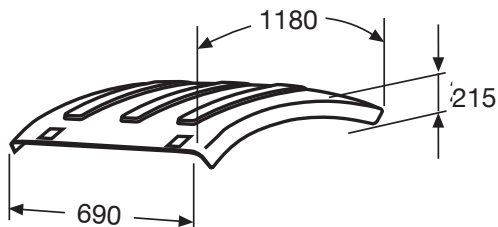
# parafanghi posteriori rear mudguards



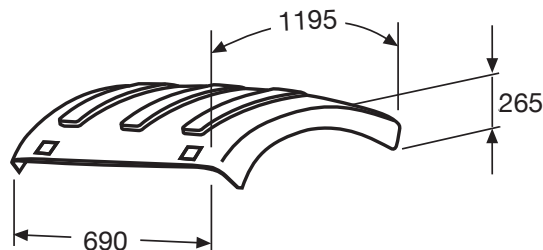
Adattabile a: **Renault**  
Suitable to:

**New Premium**  
adattabile a | adaptable to:  
**Magnum seconda serie | second series**

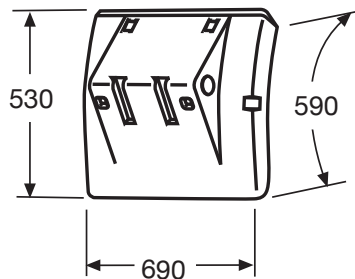
**PRM/525**



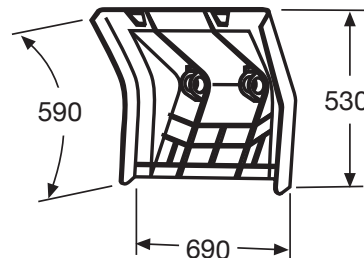
**2FH/520**



**2FH/505**



**2FH/505**



- **Materiale: PP**
- **Material: PP**



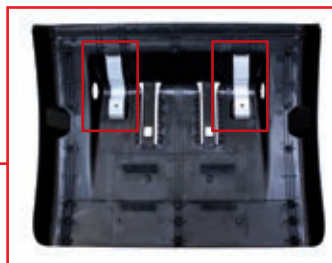
**2FH/515**  
O.E.: -  
destro|sinistro  
peso kg.: 2,190  
colore: grigio  
SEMIPIATTA  
SENZA CINGHIETTI

**2FH/515**  
O.E.: -  
RH|LH  
weight kg.: 2,190  
color: grey  
FLAT  
WITHOUT STRETCHERS



**2FH/518**  
O.E.: -  
destro|sinistro  
peso kg.: 2,310  
colore: grigio  
SENZA ANTI-SPRAY  
CON STAFFE

**2FH/518**  
O.E.: -  
RH|LH  
weight kg.: 2,310  
color: grey  
WITHOUT ANTI-SPRAY  
WITH BRACKETS



**2FH/505**  
O.E.: 7420583488  
destro|sinistro  
peso kg.: 1,225  
colore: grigio  
SENZA STAFFE

**2FH/505**  
O.E.: 7420583488  
RH|LH  
weight kg.: 1,225  
color: grey  
WITHOUT BRACKETS

**2FH/505**

**2FH/520**  
O.E.: 7420936772  
destro|sinistro  
peso kg.: 2,795  
colore: grigio  
CIRCOLARE  
SENZA CINGHIETTI

**2FH/520**  
O.E.: 7420936772  
RH|LH  
weight kg.: 2,795  
color: grey  
CIRCULAR  
WITHOUT STRETCHERS



**2FH/518**

# parafanghi posteriori rear mudguards

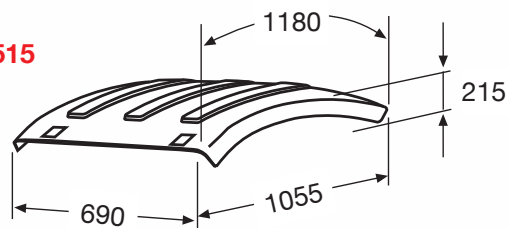


Adattabile a: **Renault**  
Suitable to:

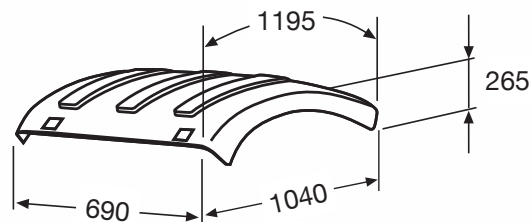
**New Premium**  
adattabile a | adaptable to:  
**Magnum seconda serie | second series**

- **Materiale: PP**
- **Material: PP**

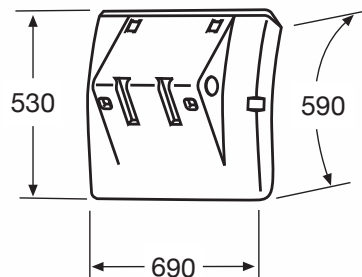
**2FH/515**



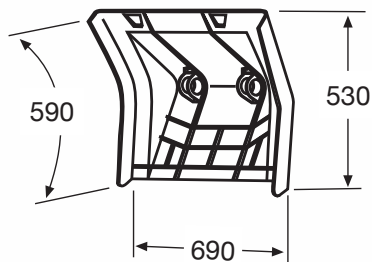
**2FH/520**



**2FH/505**



**2FH/518**



- **PRM/525**
- O.E.: 7420936768
- destro|sinistro
- peso kg.: 2,630
- colore: grigio
- SEMIPIATTA
- CON CINGHIETTI

- PRM/525**  
 O.E.: 7420936768  
 RH|LH  
 weight kg.: 2,630  
 color: grey  
 SEMI-FLAT  
 WITH STRETCHERS

- **2FH/520**
- O.E.: 7420936772
- destro|sinistro
- peso kg.: 2,795
- colore: grigio
- CIRCOLARE
- SENZA CINGHIETTI

- 2FH/520**  
 O.E.: 7420936772  
 RH|LH  
 weight kg.: 2,795  
 color: grey  
 CIRCULAR  
 WITHOUT STRETCHERS



- **PRM/517**
- O.E.: 7420583447
- anteriore destro
- peso kg.: 3,570
- colore: grigio
- CON STAFFE
- COMPLETO

- PRM/517**  
 O.E.: 7420583447  
 RH front  
 weight kg.: 3,570  
 color: grey  
 WITH BRACKETS  
 COMPLETE

vista interna - internal view



- **PRM/516**
- O.E.: 7420583442
- anteriore sinistro
- peso kg.: 3,580
- colore: grigio
- CON STAFFE
- COMPLETO

- PRM/516**  
 O.E.: 7420583442  
 LH front  
 weight kg.: 3,580  
 color: grey  
 WITH BRACKETS  
 COMPLETE

# parafanghi posteriori rear mudguards



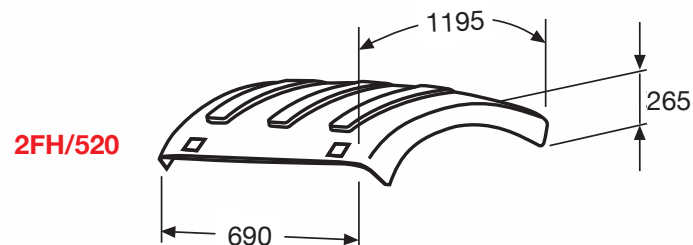
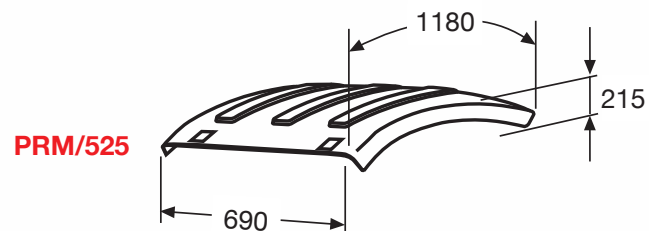
Adattabile a: **Renault**  
Suitable to:

**New Premium**

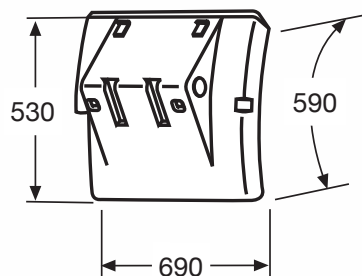
adattabile a | adaptable to:

**Magnum seconda serie | second series**

- **Materiale: PP**
- **Material: PP**



**PRM/516**  
**PRM/517**



- **PRM/525**
  - O.E.: 7420936768
  - destro|sinistro
  - peso kg.: 2,630
  - colore: grigio
  - SEMIPIATTA
  - CON CINGHIETTI
- •
- |                 |                   |
|-----------------|-------------------|
| <b>PRM/525</b>  | O.E.: 7420936768  |
| RH LH           | weight kg.: 2,630 |
| color: grey     | SEMI-FLAT         |
| WITH STRETCHERS |                   |

- **2FH/520**
  - O.E.: 7420936772
  - destro|sinistro
  - peso kg.: 2,795
  - colore: grigio
  - CIRCOLARE
  - SENZA CINGHIETTI
- •
- |                    |                   |
|--------------------|-------------------|
| <b>2FH/520</b>     | O.E.: 7420936772  |
| RH LH              | weight kg.: 2,795 |
| color: grey        | CIRCULAR          |
| WITHOUT STRETCHERS |                   |



- **PRM/519**
- O.E.: -
- sinistro
- peso kg.: 1,395
- colore: grigio

- **PRM/519**
- O.E.: -
- LH
- weight kg.: 1,395
- color: grey



- **PRM/518**
- O.E.: -
- destro
- peso kg.: 1,470
- colore: grigio
- SENZA ANTI-SPRAY

- **PRM/518**
- O.E.: -
- RH
- weight kg.: 1,470
- color: grey
- WITHOUT ANTI-SPRAY



# parafanghi posteriori rear mudguards



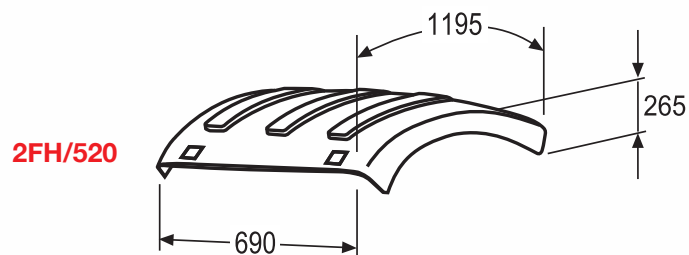
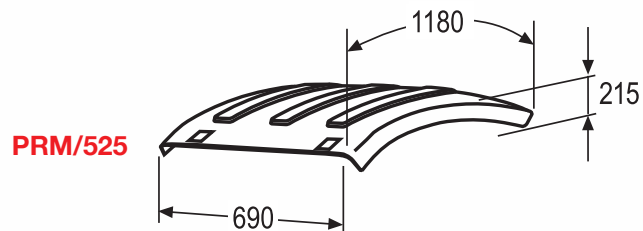
Adattabile a: **Renault**  
Suitable to:

**New Premium**

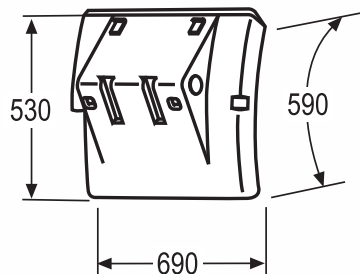
adattabile a | adaptable to:

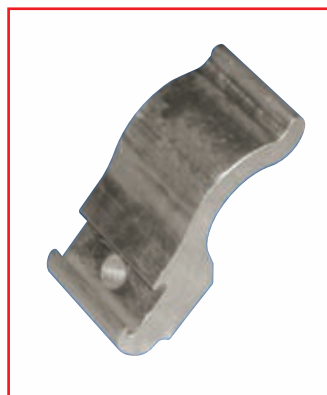
**Magnum seconda serie | second series**

- **Materiale: PP**
- **Material: PP**



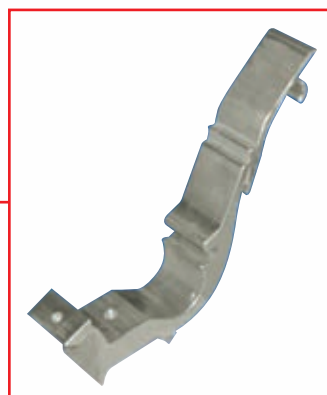
**PRM/518**  
**PRM/519**





**2FH/514**  
O.E.: 7420583440  
peso kg.: 0,120  
colore: zincata  
materiale: lega Al

**2FH/514**  
O.E.: 7420583440  
weight kg.: 0,120  
color: galvanized  
material: Al alloy



**2FH/513**  
O.E.: 7420583434  
peso kg.: 0,150  
colore: zincata  
materiale: lega Al

**2FH/513**  
O.E.: 7420583434  
weight kg.: 0,150  
color: galvanized  
material: Al alloy

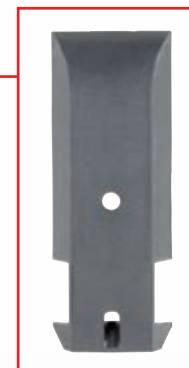
**PRM/515**  
O.E.: 7420498623  
peso kg.: 0,110  
colore: nero

**PRM/515**  
O.E.: 7420498623  
weight kg.: 0,110  
color: black

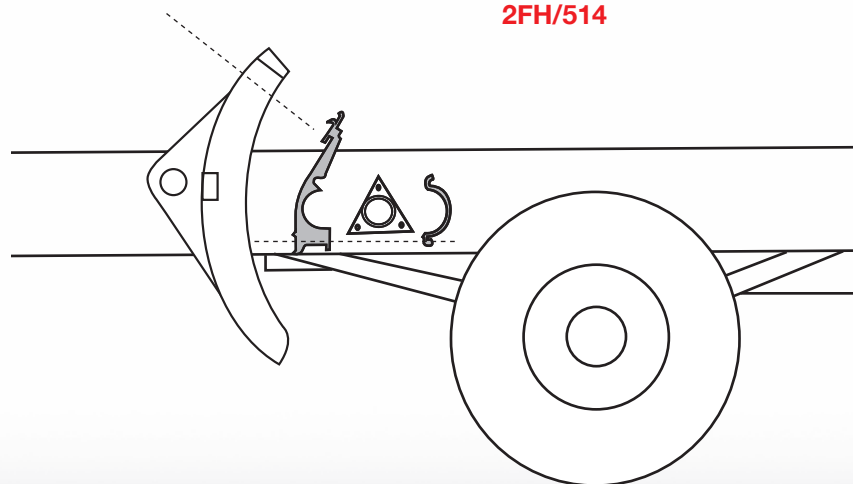
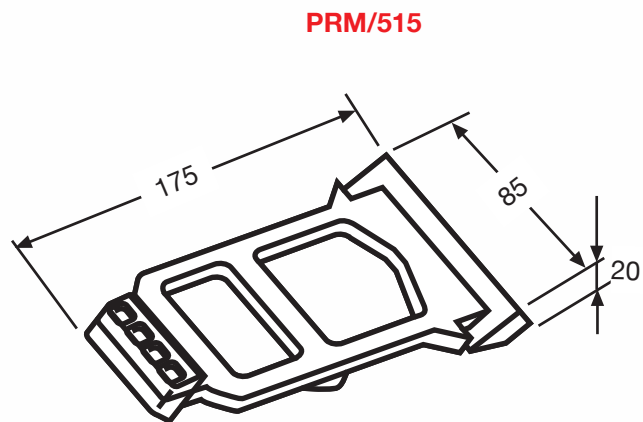
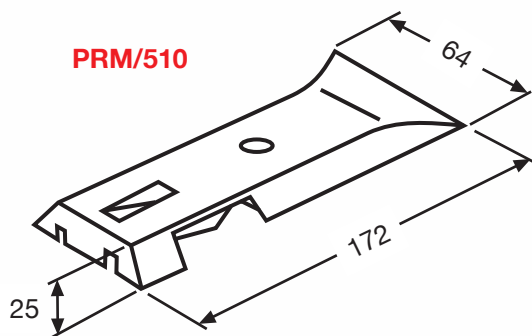


**PRM/510**  
O.E.: 7420721840  
peso kg.: 0,045  
colore: nero

**PRM/510**  
O.E.: 7420721840  
weight kg.: 0,045  
color: black



## parafanghi posteriori rear mudguards



Adattabile a: **Renault**  
Suitable to:

**New Premium**  
adattabile a | adaptable to:  
Magnum seconda serie | second series  
Kerax seconda serie | second series

- **Materiale:** EPDM
- **Material:** EPDM

- **385/520**
  - O.E.: 5010228253
  - destro|sinistro
  - peso kg.: 3,500
  - colore: grigio scuro
  - CIRCOLARE
  - CON CINGHIETTI
- **385/520**
  - O.E.: 5010228253
  - RH|LH
  - weight kg.: 3,500
  - color: dark grey
  - CIRCULAR
  - WITH STRETCHERS



385/515

- **385/515**
  - O.E.: 5010228158
  - destro|sinistro
  - peso kg.: 4,000
  - colore: grigio scuro
  - CON STAFFE
- **385/515**
  - O.E.: 5010228158
  - RH|LH
  - weight kg.: 4,000
  - color: dark grey
  - WITH BRACKETS

385/515

- **385/550**
  - O.E.: 501012441
  - destro|sinistro
  - peso kg.: 3,245
  - colore: grigio scuro
  - CIRCOLARE
  - CON CINGHIETTI
- **385/550**
  - O.E.: 501012441
  - RH|LH
  - weight kg.: 3,245
  - color: dark grey
  - CIRCULAR
  - WITH STRETCHERS



385/515

# parafanghi posteriori rear mudguards

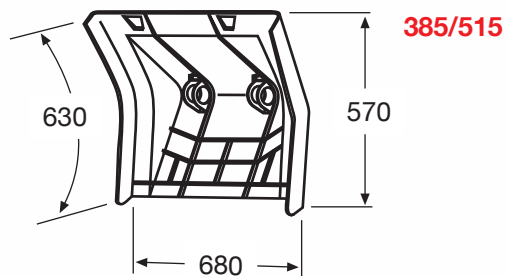
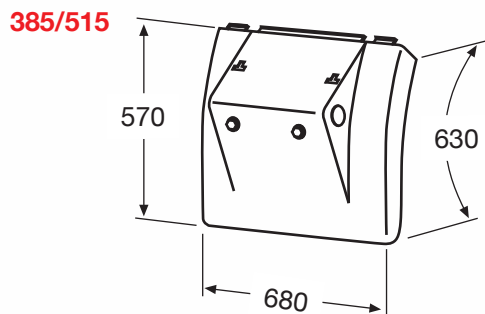
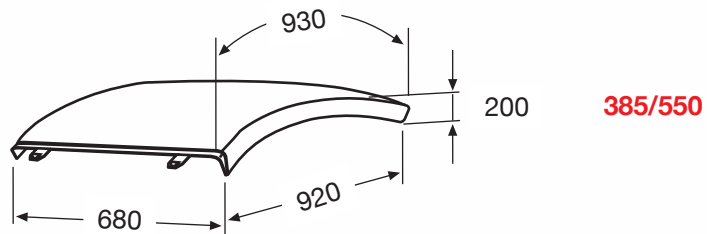
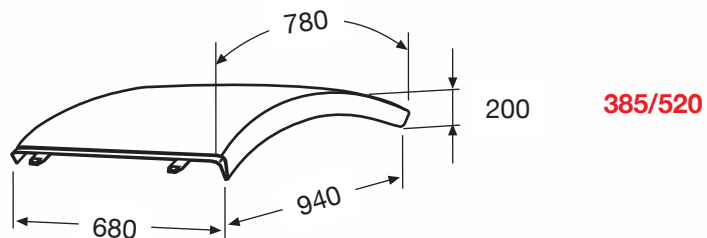


Adattabile a: **Renault**  
Suitable to:

**Premium**

adattabile a | adaptable to:  
**Magnum prima serie | first series**

- **Materiale: PP**
- **Material: PP**





- **385/530**
  - O.E.: 5010314951
  - destro|sinistro
  - peso kg.: 2,515
  - colore: grigio scuro
  - CIRCOLARE
  - CON CINGHIETTI
- **385/530**
  - O.E.: 5010314951
  - RH|LH
  - weight kg.: 2,515
  - color: dark grey
  - CIRCULAR
  - WITH STRETCHERS



- **385/527**
- O.E.: 5001856195
- destro|sinistro
- peso kg.: 3,275
- colore: grigio scuro
- CON STAFFE
- SENZA ANTI-SPRAY

- **385/527**
- O.E.: 5001856195
- RH|LH
- weight kg.: 3,275
- color: dark grey
- WITH BRACKETS
- WITHOUT ANTI-SPRAY

- **385/525**
  - O.E.: 5010314953
  - destro|sinistro
  - peso kg.: 2,750
  - colore: grigio scuro
  - CON STAFFE
- **385/525**
  - O.E.: 5010314953
  - RH|LH
  - weight kg.: 2,750
  - color: dark grey
  - WITH BRACKETS

- **385/540**
  - O.E.: 5010314952
  - destro|sinistro
  - peso kg.: 2,010
  - colore: grigio scuro
  - SEMIPIATTA
  - CON CINGHIETTI
- **385/540**
  - O.E.: 5010314952
  - RH|LH
  - weight kg.: 2,010
  - color: dark grey
  - FLAT
  - WITH STRETCHERS



385/527

385/525

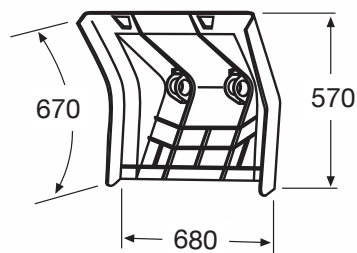
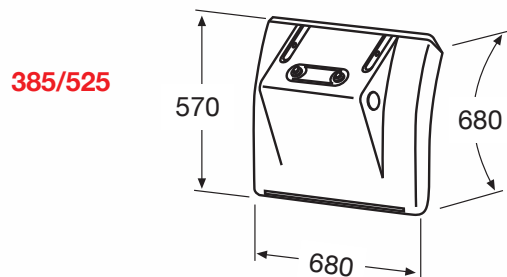
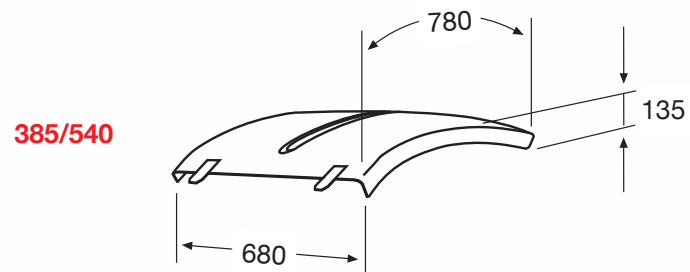
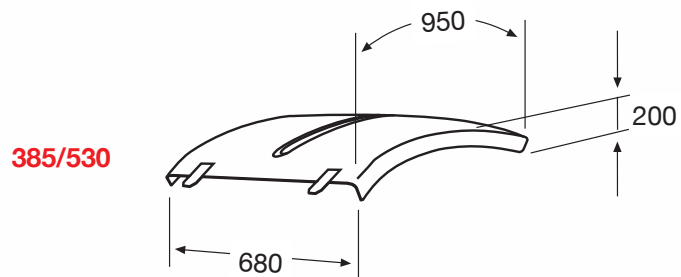
# parafanghi posteriori rear mudguards



Adattabile a: **Renault**  
Suitable to:

**Premium**  
adattabile a | adaptable to:  
**Magnum prima serie | first series**

- **Materiale: PP**
- **Material: PP**



**385/505**

O.E.: 5001856184  
peso kg.: 0,045  
colore: grigio

**385/505**

O.E.: 5001856184  
weight kg.: 0,045  
color: grey

**385/510**

O.E.: 5001842757  
peso kg.: 0,065  
colore: grigio

**385/510**

O.E.: 5001842757  
weight kg.: 0,065  
color: grey

**641/525**

O.E.: -  
peso kg.: 0,050  
colore: grigio scuro

**641/525**

O.E.: -  
weight kg.: 0,050  
color: dark grey



**XF0/517**

O.E.: 5001833310  
peso kg.: 0,117  
colore: zincata

**XF0/517**

O.E.: 5001833310  
weight kg.: 0,117  
color: galvanized

# parafanghi posteriori rear mudguards



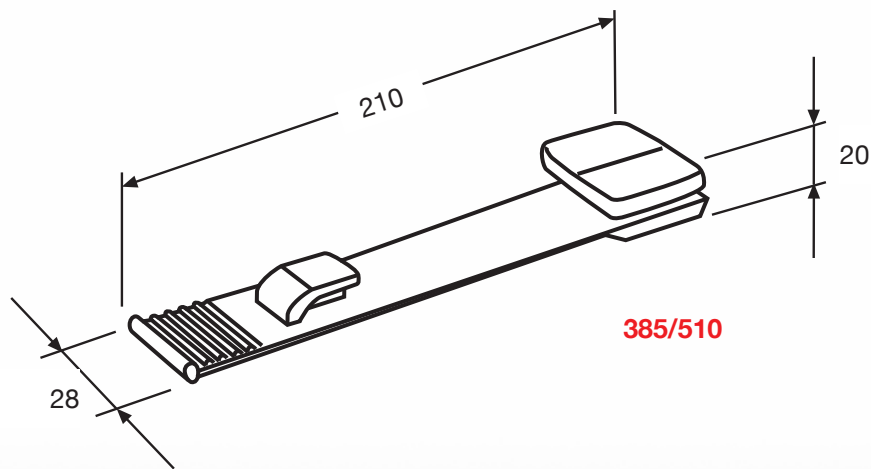
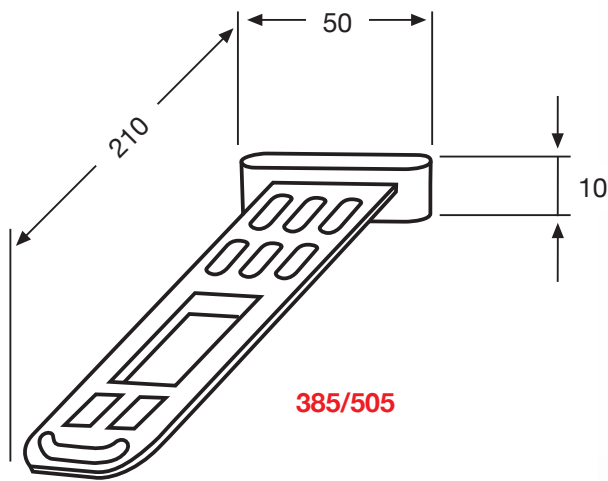
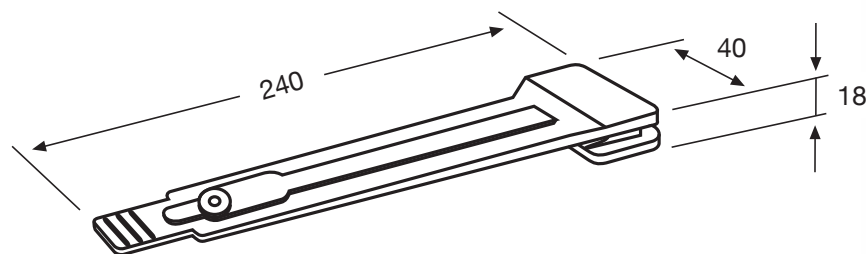
Adattabile a: **Renault**  
Suitable to:

**Premium**

adattabile a | adaptable to:  
**Magnum prima serie | first series**

- **Materiale:** EPDM
- **Material:** EPDM

**641/525**



- **144/520**
- O.E.: 1357601
- destro|sinistro
- peso kg.: 3,700
- colore: grigio
- CIRCOLARE
- SENZA CINGHIETTI WITHOUT STRETCHERS

- **144/520**
- O.E.: 1357601
- RH|LH
- weight kg.: 3,700
- color: grey
- CIRCOLARE
- WITHOUT STRETCHERS



- **144/519**
- O.E.: 1357599
- destro|sinistro
- peso kg.: 2,150
- colore: grigio
- SENZA ANTI-SPRAY

- **144/519**
- O.E.: 1357599
- RH|LH
- weight kg.: 2,150
- color: grey
- WITHOUT ANTI-SPRAY



- **144/518**
  - O.E.: 1357600
  - destro|sinistro
  - peso kg.: 2,150
  - colore: grigio
- **144/518**
  - O.E.: 1357600
  - RH|LH
  - weight kg.: 2,150
  - color: grey

- **144/525**
- O.E.: 1395276
- destro|sinistro
- peso kg.: 3,700
- colore: grigio
- SEMIPIATTA
- SENZA CINGHIETTI WITHOUT STRETCHERS

- **144/525**
- O.E.: 1395276
- RH|LH
- weight kg.: 3,700
- color: grey
- FLAT
- WITHOUT STRETCHERS





# parafanghi posteriori rear mudguards



Adattabile a: **Scania**  
Suitable to:

**144 CR**

adattabile a | adaptable to:

R 2010 CP

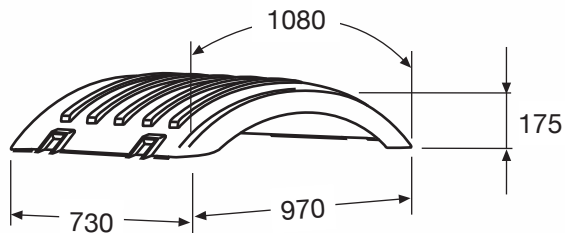
R 2010 CG-CR

R CP

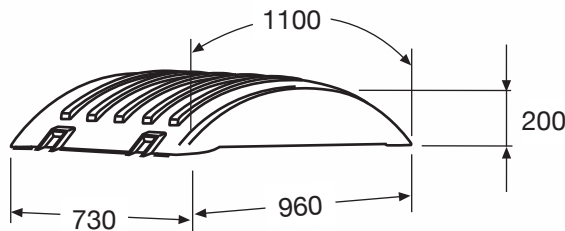
R CG-CR

94 CP

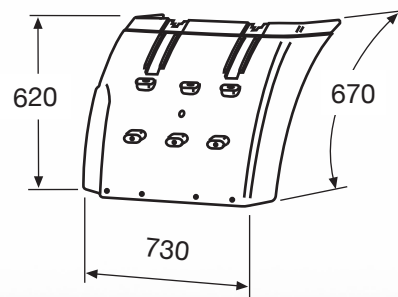
**144/525**



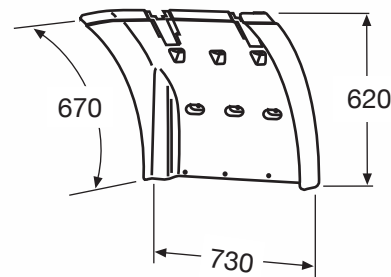
**144/520**



**144/518**



**144/519**



- **Materiale: PP**
- **Material: PP**



# parafanghi posteriori rear mudguards



Adattabile a: **Scania**  
Suitable to:

**144 CR**

adattabile a | adaptable to:

R 2010 CP

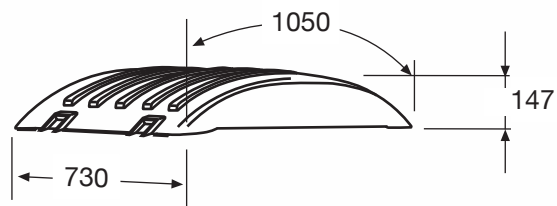
R 2010 CG-CR

R CP

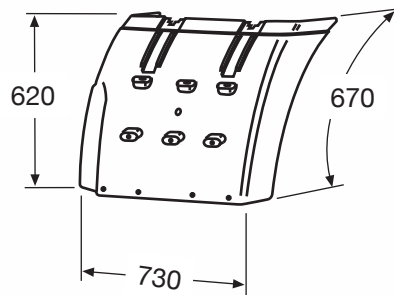
R CG-CR

94 CP

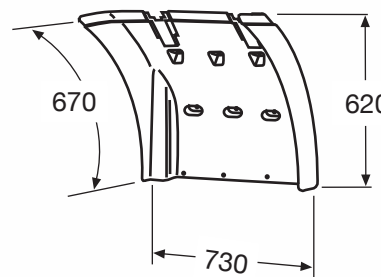
**144/530**



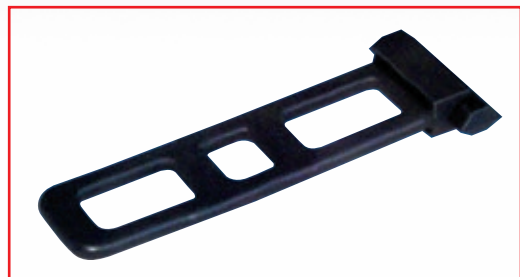
**144/518**



**144/519**



- **Materiale: PP**
- **Material: PP**



**144/515**  
O.E.: 1383858  
peso kg.: 0,085  
colore: nero  
Materiale: EPDM

**144/515**  
O.E.: 1383858  
weight kg.: 0,085  
color: black  
Material: EPDM



**144/516**  
O.E.: 2056867  
peso kg.: 0,150  
colore: nero  
Materiale: Acciaio

**144/516**  
O.E.: 2056867  
weight kg.: 0,150  
color: black  
Material: Steel



## parafanghi posteriori rear mudguards



Adattabile a: **Scania**  
Suitable to:

**144 CR**

adattabile a | adaptable to:

R 2010 CP

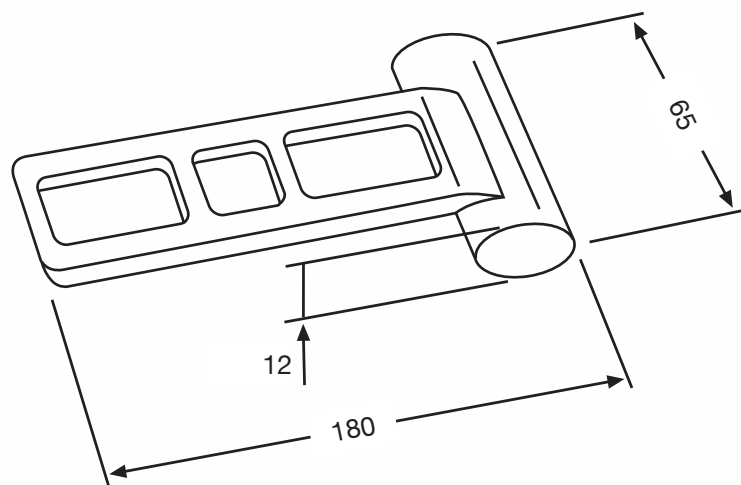
R 2010 CG-CR

R CP

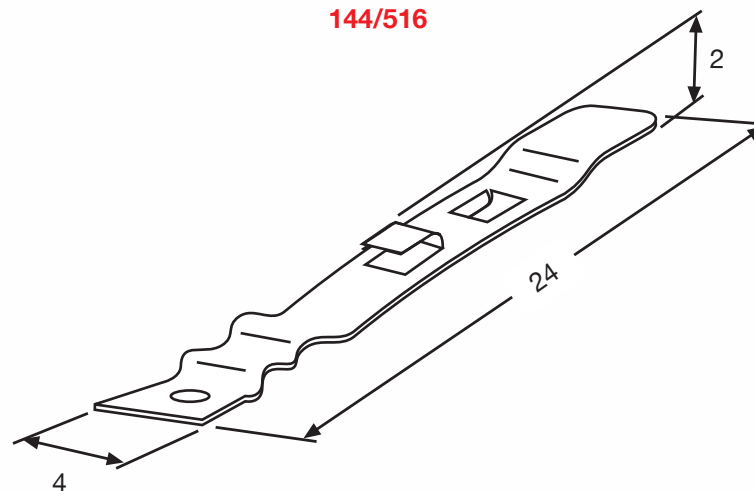
R CG-CR

94 CP

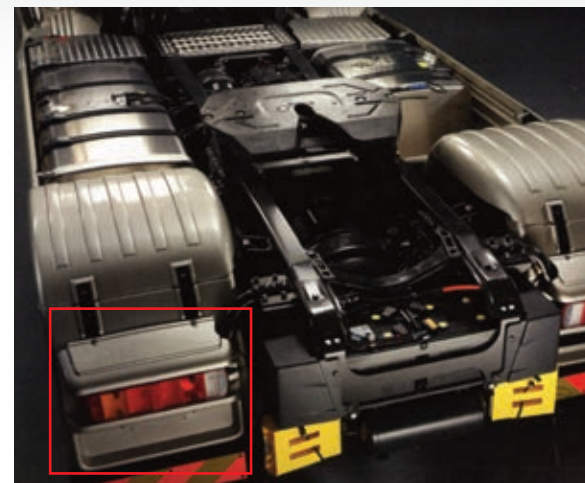
**144/515**



**144/516**







**SCR/522**

O.E.: 1368652  
destro  
peso kg.: 1,125  
colore: grigio

**SCR/522**

O.E.: 1368652  
RH  
weight kg.: 1,125  
color: grigio

**SCR/523**

O.E.: 1362708  
sinistro  
peso kg.: 1,125  
colore: grigio

**SCR/523**

O.E.: 1362708  
LH  
weight kg.: 1,125  
color: grigio

## parafanghi posteriori rear mudguards



Adattabile a: **Scania**  
Suitable to:

**R CG-CR**

adattabile a | adaptable to:

**R 2010 CP**

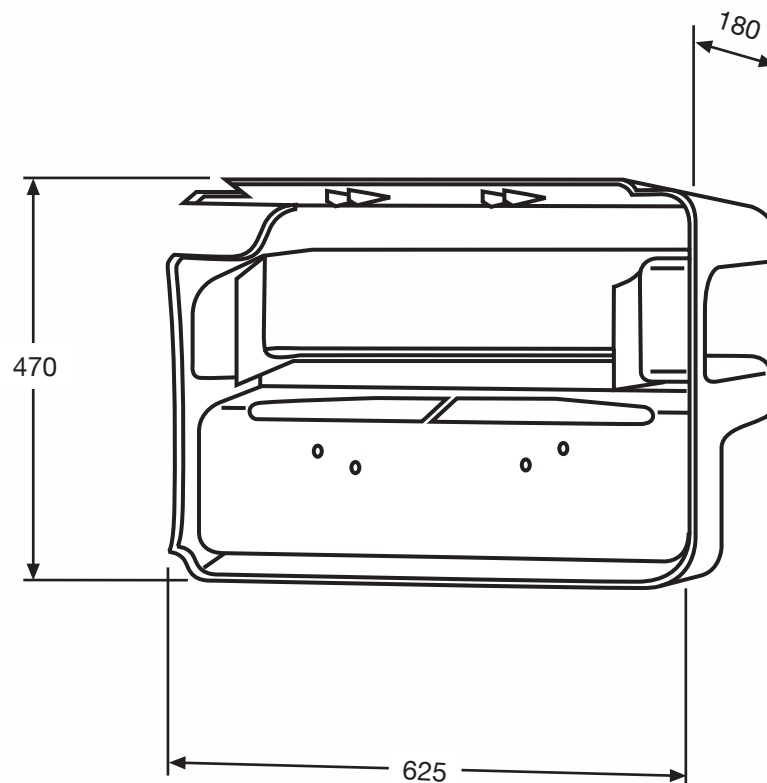
**R 2010 CG-CR**

**R CP**

**R CG-CR**

**94 CP**

- **Materiale: PP**
- **Material: PP**
- 
- 





**SCR/530**

O.E.: 2054582  
anteriore destro  
peso kg.: 8,115  
colore: nero

**SCR/530**

O.E.: 2054582  
front right  
weight kg.: 8,115  
color: black



**SCR/531**

O.E.: 2054581  
anteriore sinistro  
peso kg.: 8,095  
colore: nero

**SCR/531**

O.E.: 2054581  
front left  
weight kg.: 8,095  
color: black



## parafanghi posteriori rear mudguards



Adattabile a: **Scania**  
Suitable to:

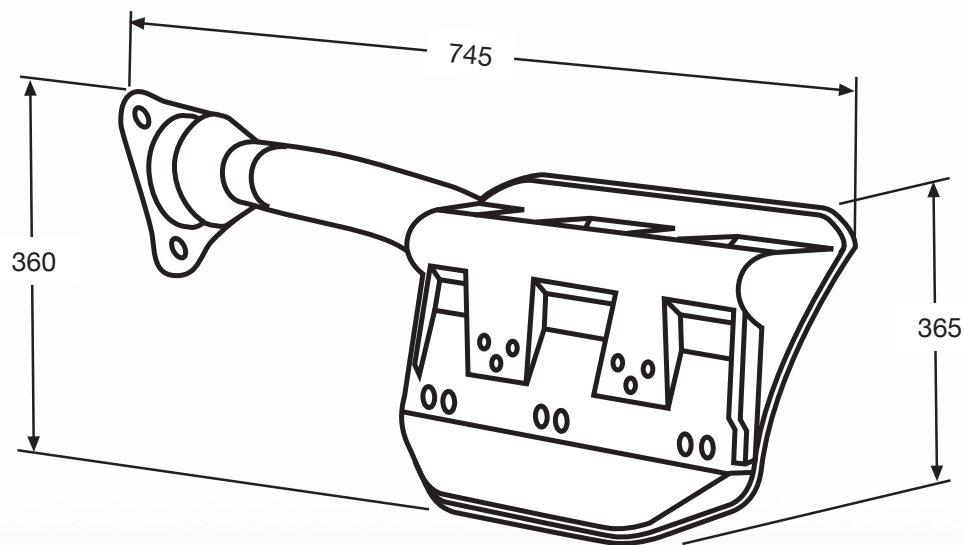
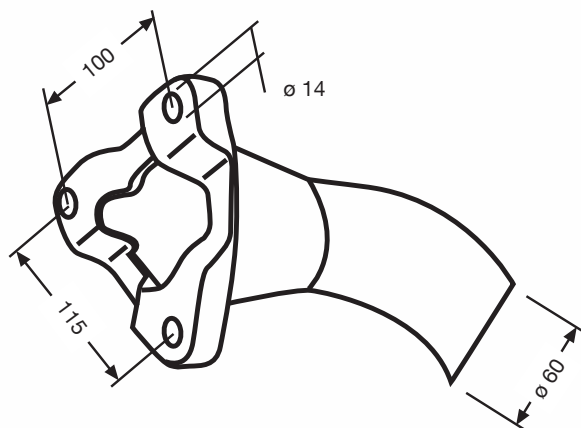
**R CG-CR**

adattabile a | adaptable to:

**R 2010 CG-CR**

**R CP**

- **Materiale:** Acciaio
- verniciato nero
- **Material:** Black
- steel painted

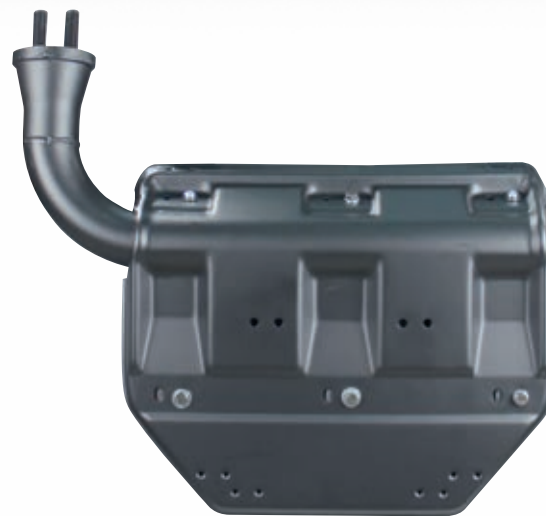


Il disegno tecnico rappresenta entrambi i particolari in quanto speculari e con le stesse dimensioni.  
Same technical drawing is used to represent both items. These components are specular and with the same dimensions.



**SCR/536**  
O.E.: 1358318  
anteriore destro  
peso kg.: 6,045  
colore: nero

**SCR/536**  
O.E.: 1358318  
front right  
weight kg.: 6,045  
color: black



**SCR/537**  
O.E.: 1358317  
anteriore sinistro  
peso kg.: 6,045  
colore: nero

**SCR/537**  
O.E.: 1358317  
front left  
weight kg.: 6,045  
color: black





## parafanghi posteriori rear mudguards



Adattabile a: **Scania**  
Suitable to:

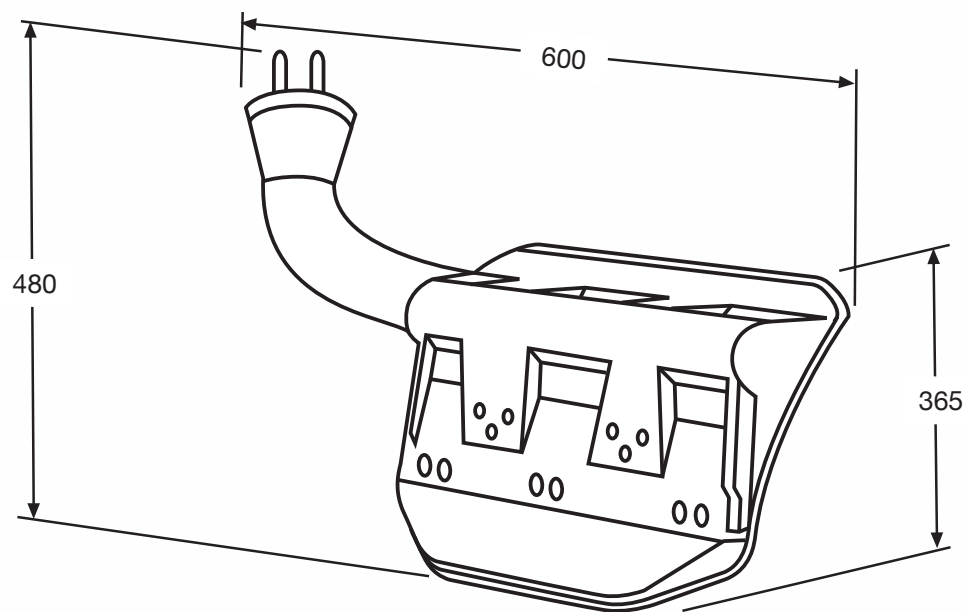
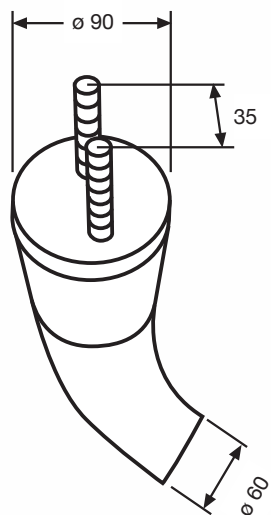
**R CG-CR**

adattabile a | adaptable to:

**R 2010 CG-CR**

**R CP**

- **Materiale:** Acciaio
- verniciato nero
- **Material:** Black
- steel painted



Il disegno tecnico rappresenta entrambi i particolari in quanto speculari e con le stesse dimensioni.  
Same technical drawing is used to represent both items. These components are specular and with the same dimensions.



**SCR/525**

O.E.: 2054589  
posteriore sinistro  
peso kg.: 6,045  
colore: nero

**SCR/525**

O.E.: 2054589  
rear left  
weight kg.: 6,045  
color: black



**SCR/524**

O.E.: 2054590  
posteriore destro  
peso kg.: 6,045  
colore: nero

**SCR/524**

O.E.: 2054590  
rear right  
weight kg.: 6,045  
color: black



## parafanghi posteriori rear mudguards



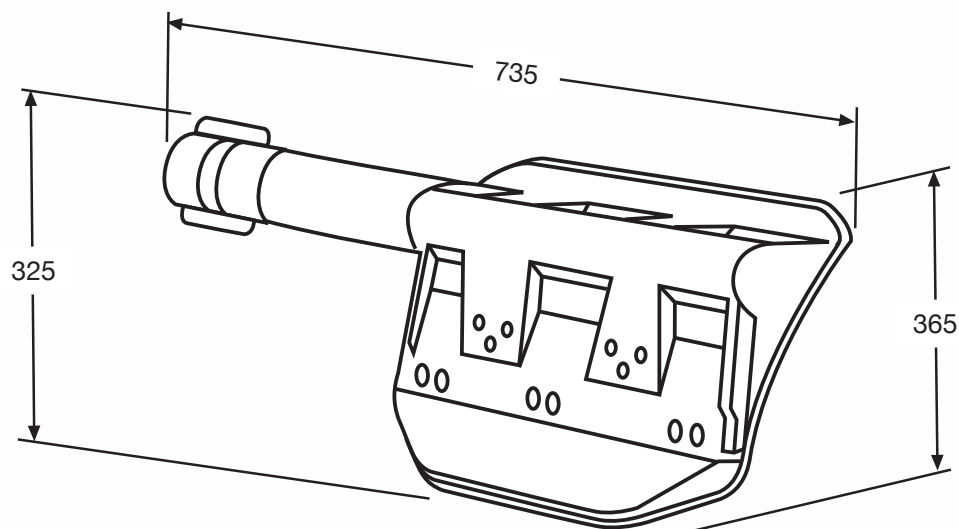
Adattabile a: **Scania**  
Suitable to:

**R CG-CR**

adattabile a | adaptable to:

**R 2010 CG-CR**

**R CP**



- **Materiale:** Acciaio
- verniciato nero
- **Material:** Black
- steel painted



**SCR/527**  
O.E.: 2054579  
posteriore sinistro  
peso kg.: 7,410  
colore: nero

**SCR/527**  
O.E.: 2054579  
rear left  
weight kg.: 7,410  
color: black



**SCR/526**  
O.E.: 2054580  
posteriore destro  
peso kg.: 7,385  
colore: nero

**SCR/526**  
O.E.: 2054580  
rear right  
weight kg.: 7,385  
color: black



## parafanghi posteriori rear mudguards



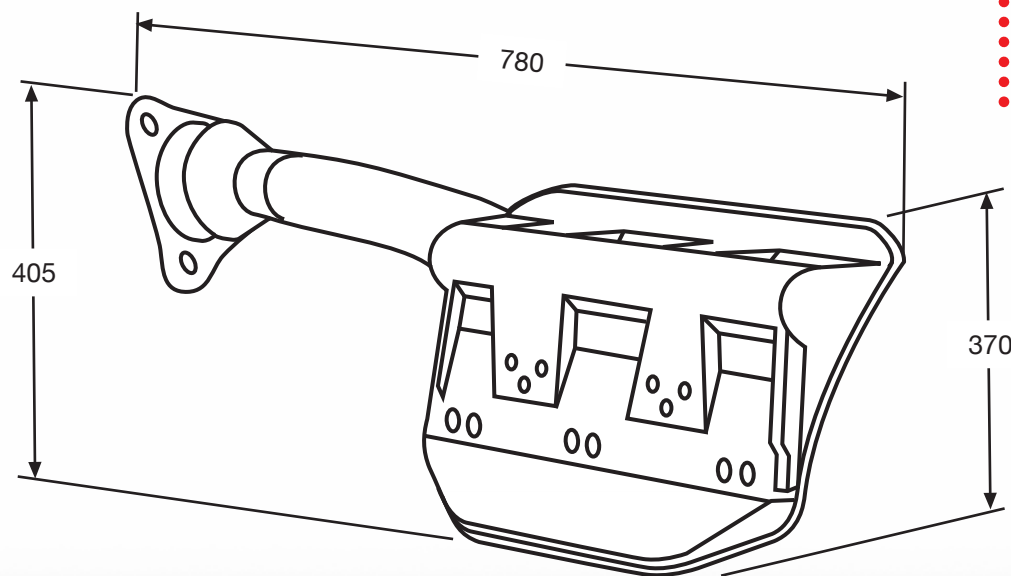
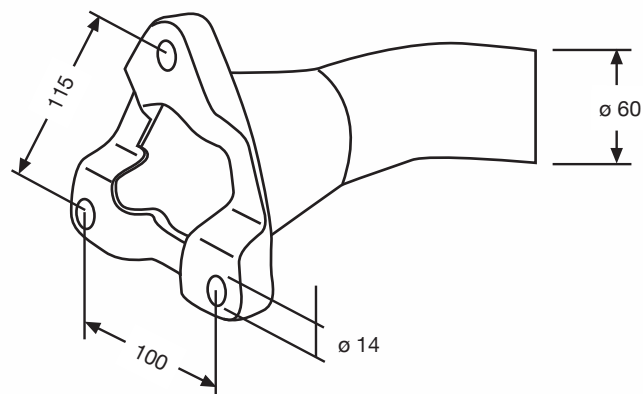
Adattabile a: **Scania**  
Suitable to:

**R CG-CR**

adattabile a | adaptable to:

**R 2010 CG-CR**

**R CP**



- **Materiale:** Acciaio
- verniciato nero
- **Material:** Black
- steel painted





**SCR/533**

O.E.: 1725675  
posteriore sinistro  
peso kg.: 7,690  
colore: nero

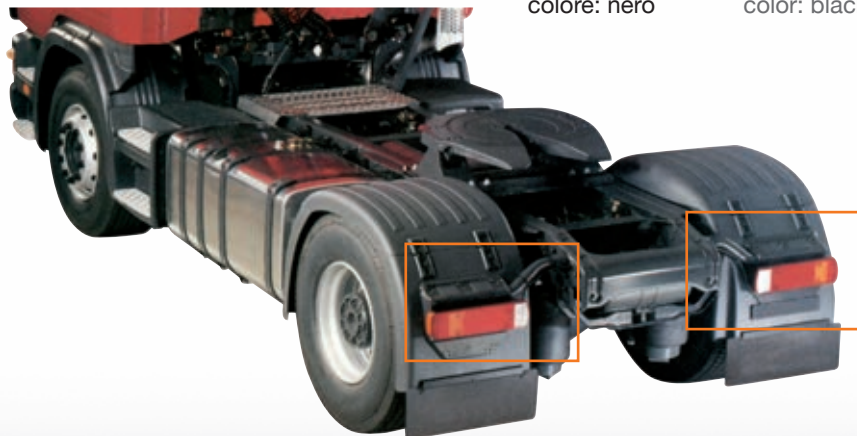


**SCR/532**

O.E.: 1725676  
posteriore destro  
peso kg.: 7,735  
colore: nero

**SCR/532**

O.E.: 1725676  
posteriore destro  
peso kg.: 7,735  
colore: nero



## parafanghi posteriori rear mudguards



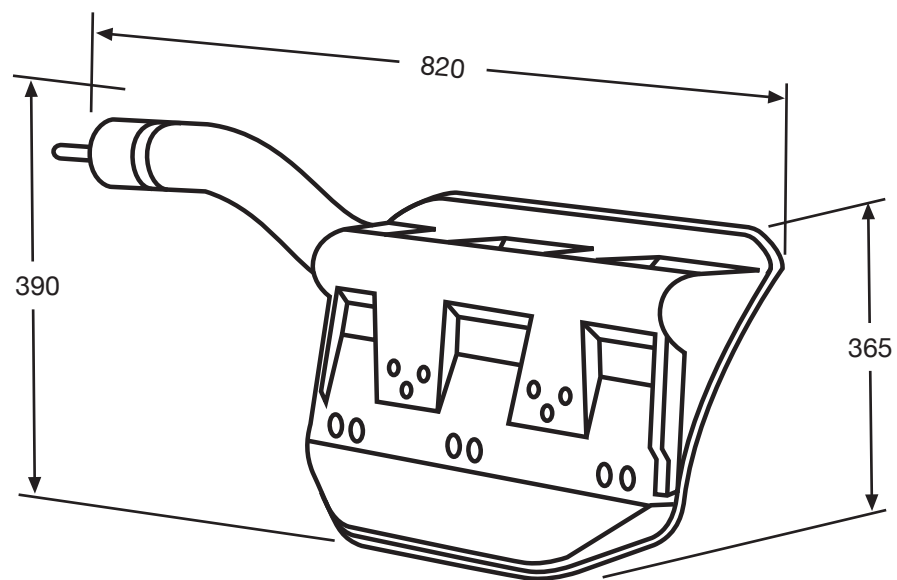
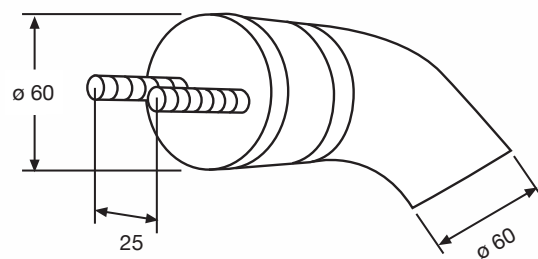
Adattabile a: **Scania**  
Suitable to:

**R CG-CR**

adattabile a | adaptable to:

**R 2010 CG-CR**

**R CP**



- **Materiale:** Acciaio
- verniciato nero
- **Material:** Black
- steel painted



**SCR/529**  
O.E.: 1457895  
peso kg.: 7,415  
colore: nero

**SCR/529**  
O.E.: 1457895  
weight kg.: 7,415  
color: black



**SCR/528**  
O.E.: 1457896  
peso kg.: 7,415  
colore: nero

**SCR/528**  
O.E.: 1457896  
weight kg.: 7,415  
color: black



## parafanghi posteriori rear mudguards



Adattabile a: **Scania**  
Suitable to:

**R CG-CR**

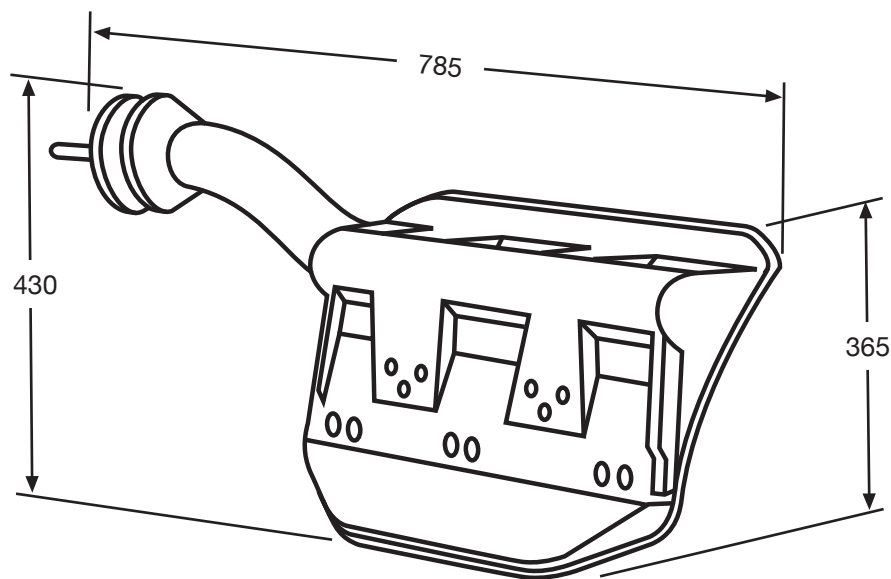
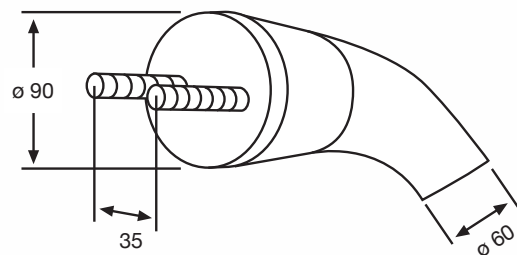
adattabile a | adaptable to:

**R 2010 CG-CR**

**R CP**

**94 CP**

**144 CR**



- **Materiale:** Acciaio  
● verniciato nero
- **Material:** Black  
● steel painted

Il disegno tecnico rappresenta entrambi i particolari in quanto speculari e con le stesse dimensioni.  
Same technical drawing is used to represent both items. These components are specular and with the same dimensions.



**SCR/535**

O.E.: 1358315  
peso kg.: 7,450  
colore: nero

**SCR/535**

O.E.: 1358315  
weight kg.: 7,450  
color: black

**SCR/534**

O.E.: 1358316  
peso kg.: 7,430  
colore: nero

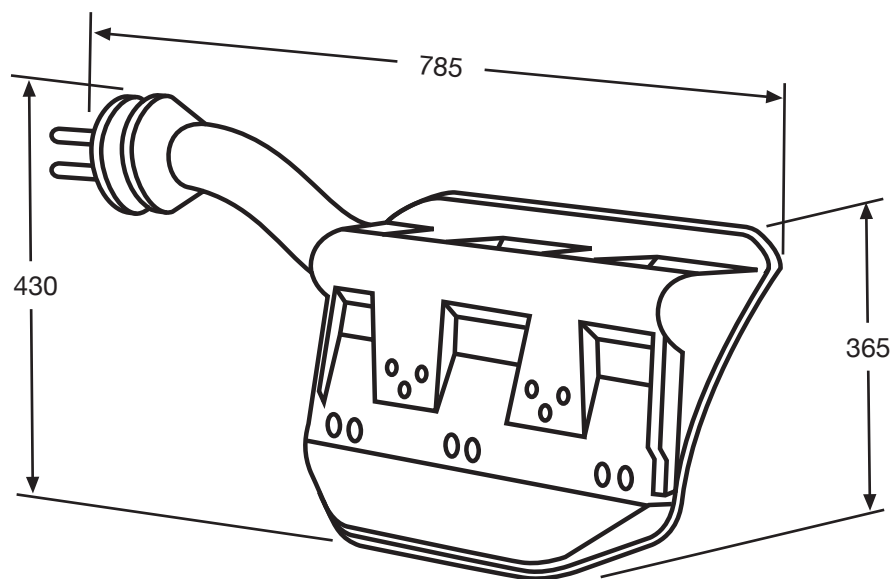
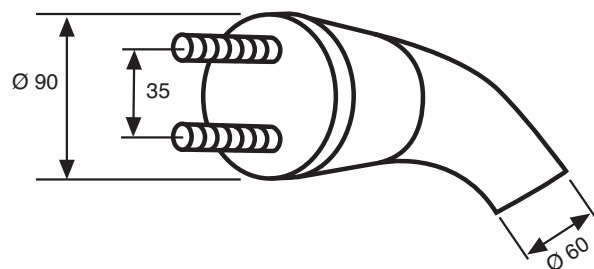
**SCR/534**

O.E.: 1358316  
weight kg.: 7,430  
color: black





## parafanghi posteriori rear mudguards



Adattabile a: **Scania**  
Suitable to:

**R CG-CR**

adattabile a | adaptable to:

**R 2010 CG-CR**

**R CP**

**94 CP**

**144 CR**

- **Materiale:** Acciaio
- verniciato nero
- **Material:** Black
- steel painted

**4FH/324**  
O.E.: 84160421  
destro|sinistro  
peso kg.: 1,300  
colore: nero

**4FH/324**  
O.E.: 84160421  
RH|LH  
weight kg.: 1,300  
color: black



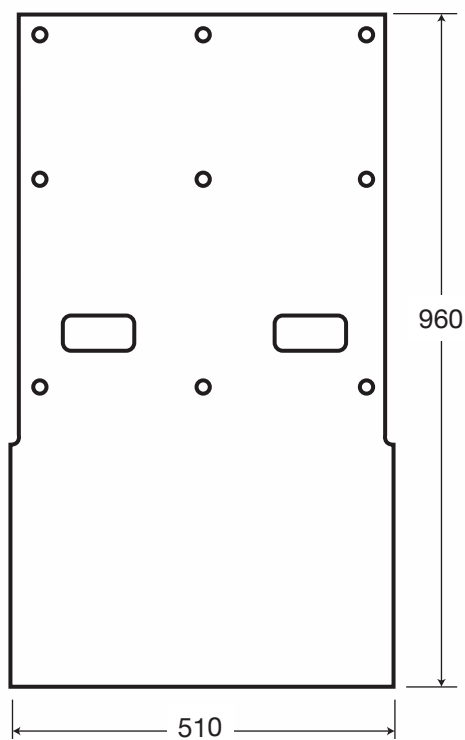
# riparifango mud protection



Adattabile a: **Volvo**  
Suitable to:

## FH Euro 6

- **Materiale:** PE+PVAC
- **Material:** PE+PVAC



**3FH/323**

O.E.: 82637695

destro|sinistro

peso kg.: 3,120

colore: nero

**3FH/323**

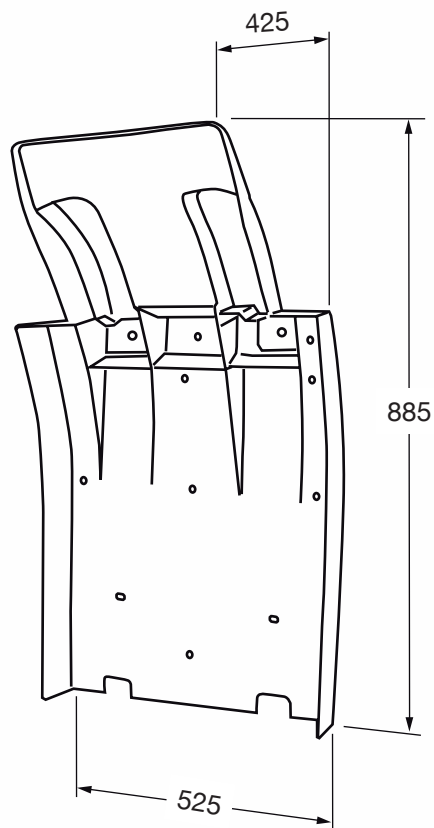
O.E.: 82637695

RH|LH

weight kg.: 3,120

color: black





Adattabile a: **Volvo**  
Suitable to:

## FH 13 serie | series 2008

- **Materiale:** PP
- **Material:** PP



- **3FH/540**
  - O.E.: 21094390
  - destro|sinistro
  - peso kg.: 3,160
  - colore: grigio
  - SEMIPIATTA
  - CON CINGHIETTI
- **3FH/540**
  - O.E.: 21094390
  - RH|LH
  - weight kg.: 3,160
  - color: grey
  - SEMI-FLAT
  - WITH STRETCHERS



- **3FH/515**
- O.E.: 21094391
- 22087684
- destro|sinistro
- peso kg.: 1,610
- colore: grigio

- **3FH/515**
- O.E.: 21094391
- 22087684
- RH|LH
- weight kg.: 1,610
- color: grey

- **3FH/525**
  - O.E.: 21094394
  - 21094400
  - destro|sinistro
  - peso kg.: 1,825
  - colore: grigio
  - SENZA ANTI-SPRAY
- **3FH/525**
  - O.E.: 21094394
  - 21094400
  - RH|LH
  - weight kg.: 1,825
  - color: grey
  - WITHOUT ANTI-SPRAY



# parafanghi posteriori rear mudguards

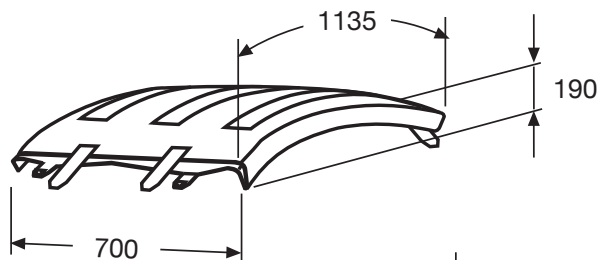


Adattabile a: **Volvo**  
Suitable to:

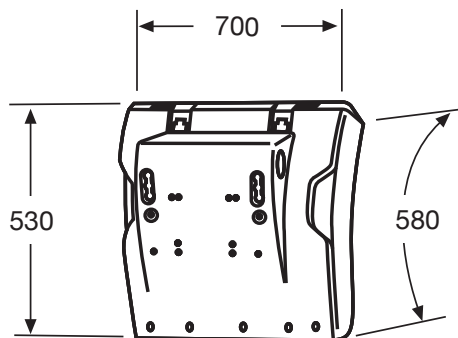
**FH 13 serie | series 2008**  
adattabile a | adaptable to:  
**FH Euro 6**

- **Materiale: PP**
- **Material: PP**

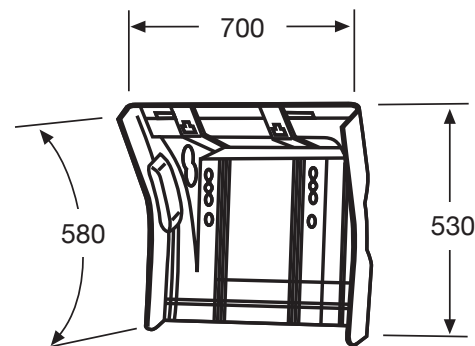
**3FH/540**



**3FH/515**



**3FH/525**



- **3FH/540**
  - O.E.: 21094390
  - destro|sinistro
  - peso kg.: 3,160
  - colore: grigio
  - SEMIPIATTA
  - CON CINGHIETTI
- **3FH/540**
  - O.E.: 21094390
  - RH|LH
  - weight kg.: 3,160
  - color: grey
  - SEMI-FLAT
  - WITH STRETCHERS

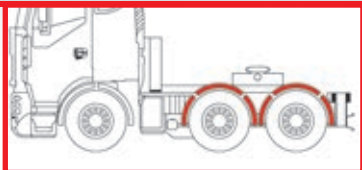
**3FH/515**  
O.E.: 21094391  
22087684  
destro|sinistro  
peso kg.: 1,610  
colore: grigio

**3FH/515**  
O.E.: 21094391  
22087684  
RH|LH  
weight kg.: 1,610  
color: grey



**3FH/515**

# parafanghi posteriori rear mudguards

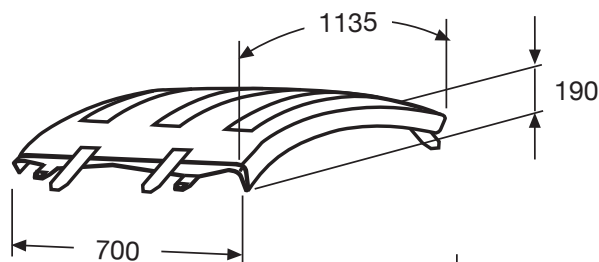


Adattabile a: **Volvo**  
Suitable to:

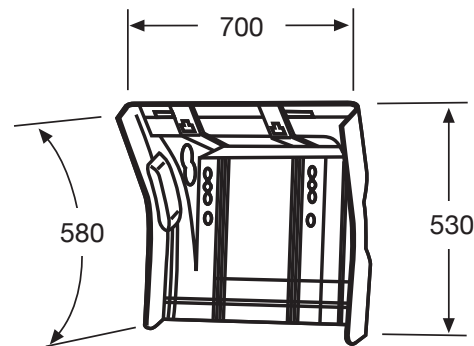
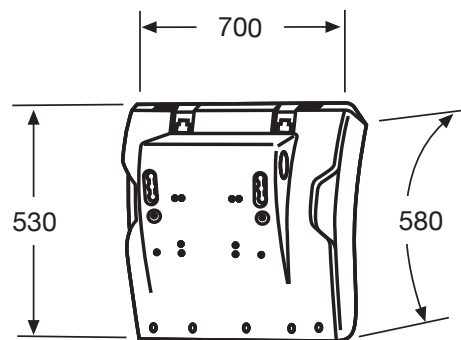
**FH 13 serie | series 2008**  
adattabile a | adaptable to:  
**FH Euro 6**

- **Materiale: PP**
- **Material: PP**

**3FH/540**



**3FH/515**



**3FH/515**

- **3FH/540**
- O.E.: 21094390
- destro|sinistro
- peso kg.: 3,160
- colore: grigio
- SEMIPIATTA
- CON CINGHIETTI

**3FH/540**  
 O.E.: 21094390  
 RH|LH  
 weight kg.: 3,160  
 color: grey  
 SEMI-FLAT  
 WITH STRETCHERS



- **3FH/522**
- O.E.: 21094392
- 21305345
- 22087701
- destro
- peso kg.: 1,410
- colore: grigio

**3FH/522**  
 O.E.: 21094392  
 21305345  
 22087701  
 RH  
 weight kg.: 1,410  
 color: grey

**3FH/525**  
 O.E.: 21094394  
 21094400  
 destro|sinistro  
 peso kg.: 1,825  
 colore: grigio  
 SENZA ANTI-SPRAY

**3FH/525**  
 O.E.: 21094394  
 21094400  
 RH|LH  
 weight kg.: 1,825  
 color: grey  
 WITHOUT ANTI-SPRAY



**3FH/540**



**3FH/525**

- **3FH/523**
- O.E.: 21094393
- 21305346
- 22087703

sinistro  
 peso kg.: 1,410  
 colore: grigio  
 SENZA ANTI-SPRAY

**3FH/523**  
 O.E.: 21094393  
 21305346  
 22087703

LH  
 weight kg.: 1,410  
 color: grey  
 WITHOUT ANTI-SPRAY



# parafanghi posteriori rear mudguards

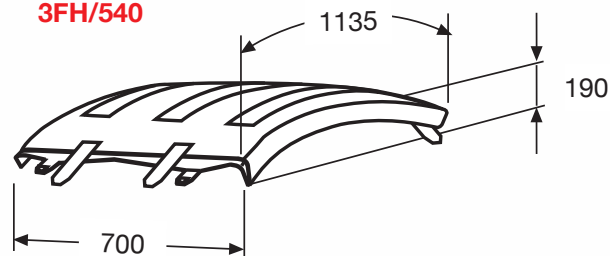


Adattabile a: **Volvo**  
Suitable to:

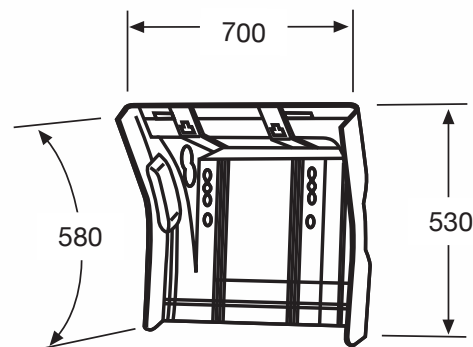
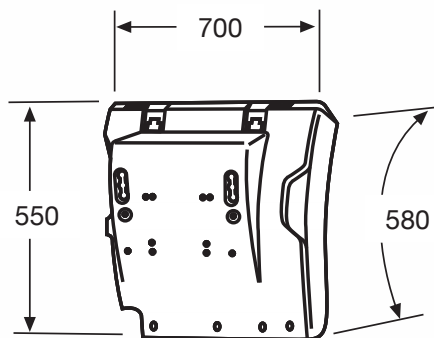
**FH 13 serie | series 2008**  
adattabile a | adaptable to:  
**FH Euro 6**

- **Materiale: PP**
- **Material: PP**

**3FH/540**



**3FH/522**  
**3FH/523**



**3FH/525**

- **3FH/535**
  - O.E.: 21094389
  - destro|sinistro
  - peso kg.: 2,745
  - colore: grigio
  - PIATTA
  - CON CINGHIETTI
- **3FH/535**
  - O.E.: 21094389
  - RH|LH
  - weight kg.: 2,745
  - color: grey
  - FLAT
  - WITH STRETCHERS



**3FH/515**

O.E.: 21094391  
22087684  
destro|sinistro  
peso kg.: 1,610  
colore: grigio

**3FH/515**

O.E.: 21094391  
22087684  
RH|LH  
weight kg.: 1,610  
color: grey



**3FH/525**

O.E.: 21094394  
21094400  
destro|sinistro  
peso kg.: 1,825  
colore: grigio  
SENZA ANTI-SPRAY

**3FH/525**

O.E.: 21094394  
21094400  
RH|LH  
weight kg.: 1,825  
color: grey  
WITHOUT ANTI-SPRAY

# parafanghi posteriori rear mudguards

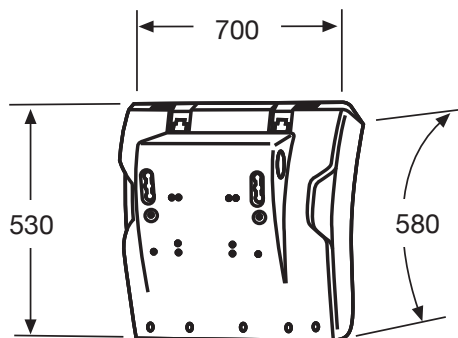
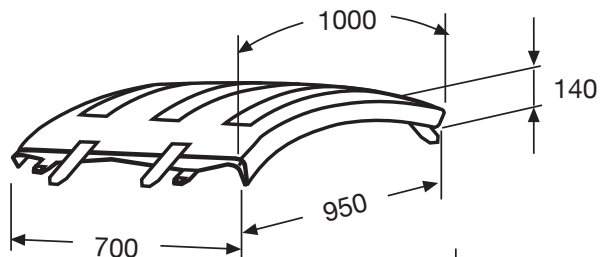


Adattabile a: **Volvo**  
Suitable to:

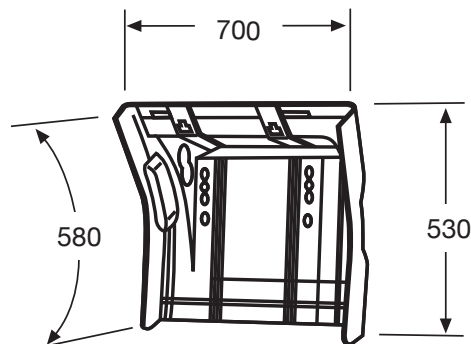
**FH 13 serie | series 2008**  
adattabile a | adaptable to:  
**FH Euro 6**

- **Materiale: PP**
- **Material: PP**

**3FH/535**



**3FH/515**



**3FH/525**

• <b>3FH/535</b>	<b>3FH/535</b>
• O.E.: 21094389	O.E.: 21094389
• destro sinistro	RH LH
• peso kg.: 2,745	weight kg.: 2,745
• colore: grigio	color: grey
• PIATTA	FLAT
• CON CINGHIETTI	WITH STRETCHERS

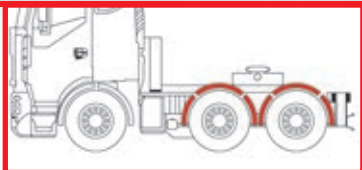
**3FH/515**  
O.E.: 21094391  
22087684  
destro|sinistro  
peso kg.: 1,610  
colore: grigio

••••••••••••••••••••  
**3FH/515**  
O.E.: 21094391  
22087684  
RH|LH  
weight kg.: 1,610  
color: grey



**3FH/515**

# parafanghi posteriori rear mudguards

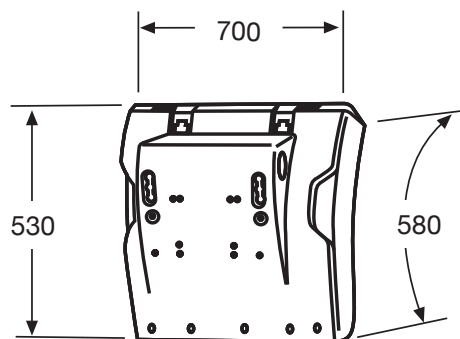
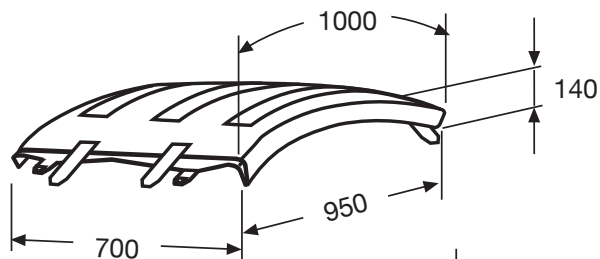


Adattabile a: **Volvo**  
Suitable to:

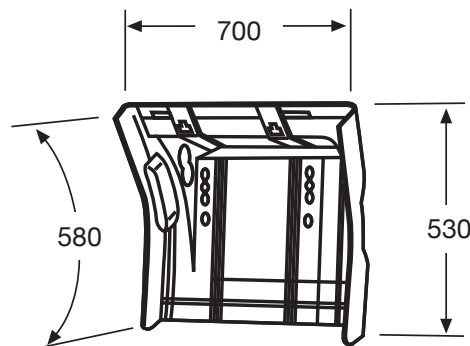
**FH 13 serie | series 2008**  
adattabile a | adaptable to:  
**FH Euro 6**

- **Materiale: PP**
- **Material: PP**

**3FH/535**



**3FH/515**



**3FH/515**



• **3FH/535**

• O.E.: 21094389

• destro|sinistro

• peso kg.: 2,745

• colore: grigio

• PIATTA

• CON CINGHIETTI

**3FH/535**

O.E.: 21094389

RH|LH

weight kg.: 2,745

color: grey

FLAT

WITH STRETCHERS

**3FH/525**

O.E.: 21094394

destro|sinistro

peso kg.: 1,825

colore: grigio

SENZA ANTI-SPRAY

**3FH/525**

O.E.: 21094394

RH|LH

weight kg.: 1,825

color: grey

WITHOUT ANTI-SPRAY

**3FH/535**



**3FH/525**

• **3FH/523**

• O.E.: 21094393

• 21305346

• 22087703

sinistro

peso kg.: 1,410

colore: grigio

SENZA ANTI-SPRAY

• **3FH/523**

• O.E.: 21094393

• 21305346

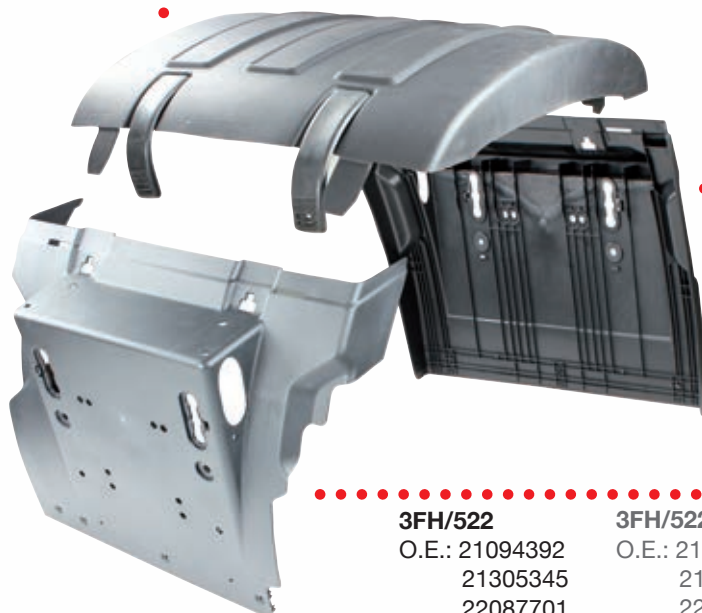
• 22087703

LH

weight kg.: 1,410

color: grey

WITHOUT ANTI-SPRAY



• **3FH/522**

• O.E.: 21094392

• 21305345

• 22087701

destro

peso kg.: 1,410

colore: grigio

• **3FH/522**

• O.E.: 21094392

• 21305345

• 22087701

RH

weight kg.: 1,410

color: grey



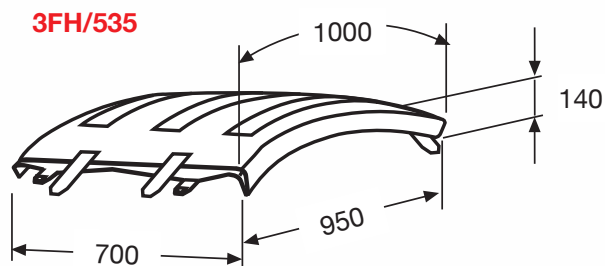
# parafanghi posteriori rear mudguards



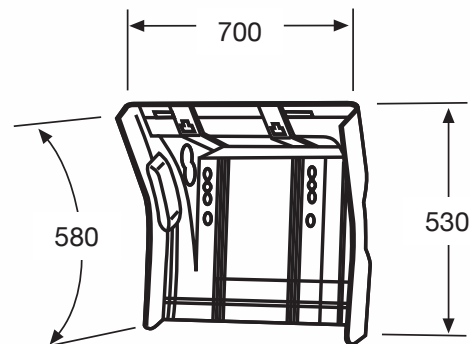
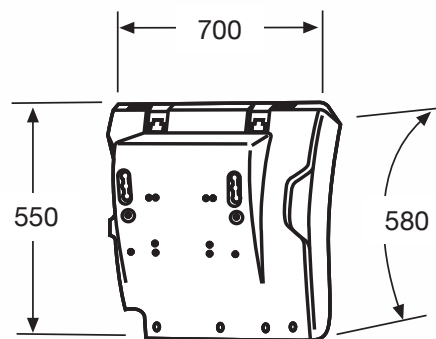
Adattabile a: **Volvo**  
Suitable to:

**FH 13 serie | series 2008**  
adattabile a | adaptable to:  
**FH Euro 6**

- **Materiale: PP**
- **Material: PP**



**3FH/522**  
**3FH/523**



**3FH/525**

- **3FH/530**
- O.E.: 21094383
- destro|sinistro
- peso kg.: 2,795
- colore: grigio
- CIRCOLARE
- SENZA CINGHIETTI
- WITHOUT STRETCHERS

- **3FH/530**
- O.E.: 21094383
- RH|LH
- weight kg.: 2,795
- color: grey
- CIRCULAR

**3FH/515**

O.E.: 21094391  
22087684  
destro|sinistro  
peso kg.: 1,610  
colore: grigio

**3FH/515**

O.E.: 21094391  
22087684  
RH|LH  
weight kg.: 1,610  
color: grey



**3FH/525**

O.E.: 21094394  
21094400  
destro|sinistro  
peso kg.: 1,825  
colore: grigio  
SENZA ANTI-SPRAY

**3FH/525**

O.E.: 21094394  
21094400  
RH|LH  
weight kg.: 1,825  
color: grey  
WITHOUT ANTI-SPRAY

# parafanghi posteriori rear mudguards

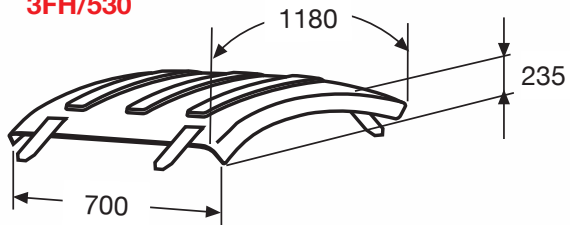


Adattabile a: **Volvo**  
Suitable to:

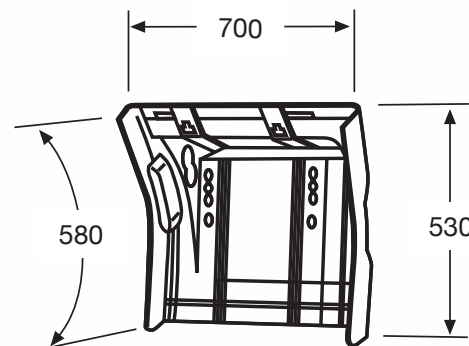
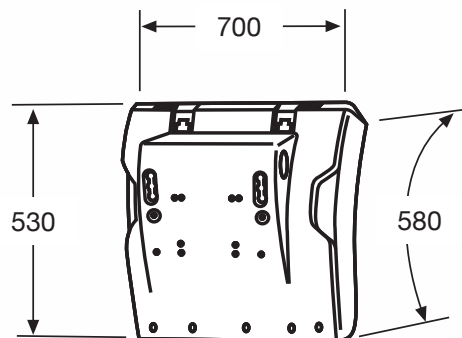
**FH 13 serie | series 2008**  
adattabile a | adaptable to:  
**FH Euro 6**

- **Materiale: PP**
- **Material: PP**

**3FH/530**



**3FH/515**



**3FH/525**

- **3FH/530**
  - O.E.: 21094383
  - destro|sinistro
  - peso kg.: 2,795
  - colore: grigio
  - CIRCOLARE
  - SENZA CINGHIETTI
  - 
  -
- |                    |                   |
|--------------------|-------------------|
| <b>3FH/530</b>     | O.E.: 21094383    |
| RH LH              | weight kg.: 2,795 |
| CIRCULAR           | color: grey       |
| WITHOUT STRETCHERS |                   |

**3FH/515**  
O.E.: 21094391  
22087684  
destro|sinistro  
peso kg.: 1,610  
colore: grigio

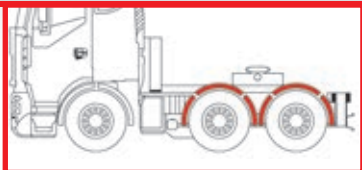
**3FH/515**  
O.E.: 21094391  
22087684  
RH|LH  
weight kg.: 1,610  
color: grey



**3FH/515**



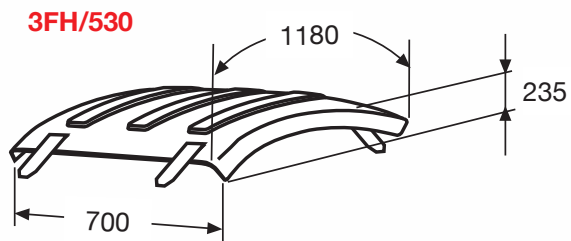
# parafanghi posteriori rear mudguards



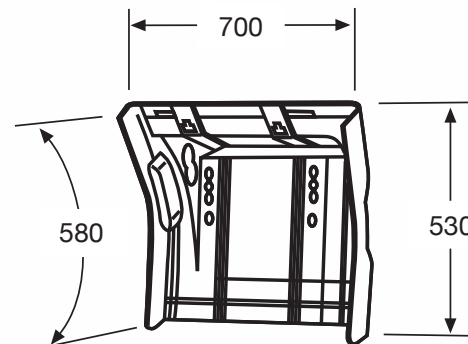
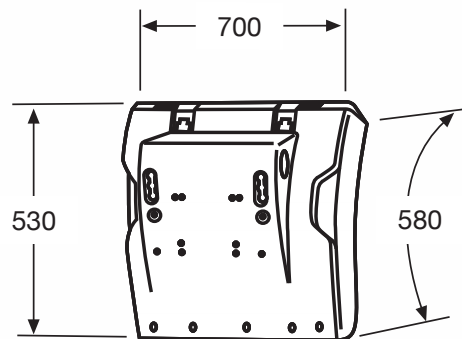
Adattabile a: **Volvo**  
Suitable to:

**FH 13 serie | series 2008**  
adattabile a | adaptable to:  
**FH Euro 6**

- **Materiale: PP**
- **Material: PP**



**3FH/515**



**3FH/515**

- **3FH/530**
- O.E.: 21094383
- destro|sinistro
- peso kg.: 2,795
- colore: grigio
- CIRCOLARE
- SENZA CINGHIETTI WITHOUT STRETCHERS

- **3FH/530**
- O.E.: 21094383
- RH|LH
- weight kg.: 2,795
- color: grey
- CIRCULAR
- WITHOUT STRETCHERS

- **3FH/525**
- O.E.: 21094394
- 21094400
- destro|sinistro
- peso kg.: 1,825
- colore: grigio
- SENZA ANTI-SPRAY

- **3FH/525**
- O.E.: 21094394
- 21094400
- RH|LH
- weight kg.: 1,825
- color: grey
- WITHOUT ANTI-SPRAY



- **3FH/522**
  - O.E.: 21094392
  - 21305345
  - 22087701
  - destro
  - peso kg.: 1,410
  - colore: grigio
- **3FH/522**
  - O.E.: 21094392
  - 21305345
  - 22087701
  - RH
  - weight kg.: 1,410
  - color: grey



**3FH/530**



**3FH/525**

- **3FH/523**
  - O.E.: 21094393
  - 21305346
  - 22087703
  - sinistro
  - peso kg.: 1,410
  - colore: grigio
  - SENZA ANTI-SPRAY
- **3FH/523**
  - O.E.: 21094393
  - 21305346
  - 22087703
  - LH
  - weight kg.: 1,410
  - color: grey
  - WITHOUT ANTI-SPRAY

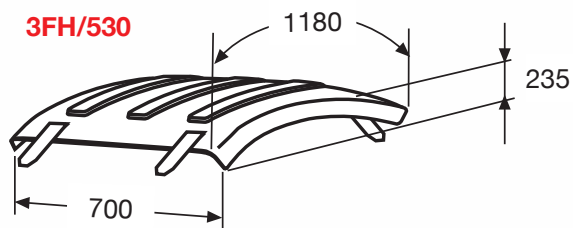
# parafanghi posteriori rear mudguards



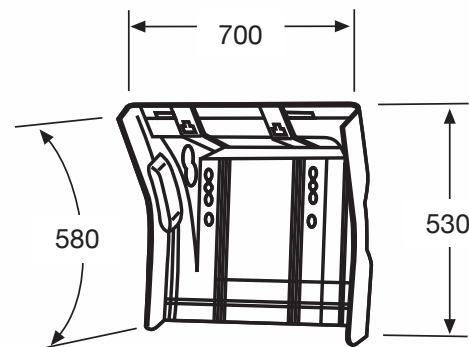
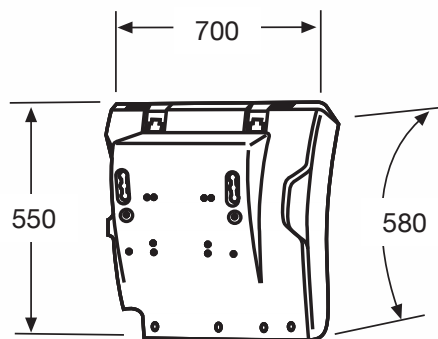
Adattabile a: **Volvo**  
Suitable to:

**FH 13 serie | series 2008**  
adattabile a | adaptable to:  
**FH Euro 6**

- **Materiale: PP**
- **Material: PP**



**3FH/522**  
**3FH/523**



**3FH/525**

- **3FH/520**
  - O.E.: 21094388
  - destro|sinistro
  - peso kg.: 3,415
  - colore: grigio
  - SEMIPIATTA
  - CON CINGHIETTI
- **3FH/520**
  - O.E.: 21094388
  - RH|LH
  - weight kg.: 3,415
  - color: grey
  - SEMI-FLAT
  - WITH STRETCHERS

**3FH/515**  
O.E.: 21094391  
22087684  
destro|sinistro  
peso kg.: 1,610  
colore: grigio

**3FH/515**  
O.E.: 21094391  
22087684  
RH|LH  
weight kg.: 1,610  
color: grey



**3FH/525**  
O.E.: 21094394  
21094400  
destro|sinistro  
peso kg.: 1,825  
colore: grigio  
SENZA ANTI-SPRAY

**3FH/525**  
O.E.: 21094394  
21094400  
RH|LH  
weight kg.: 1,825  
color: grey  
WITHOUT ANTI-SPRAY

# parafanghi posteriori rear mudguards

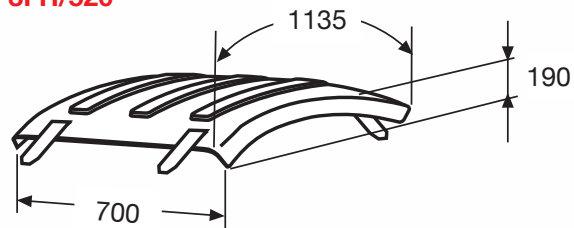


Adattabile a: **Volvo**  
Suitable to:

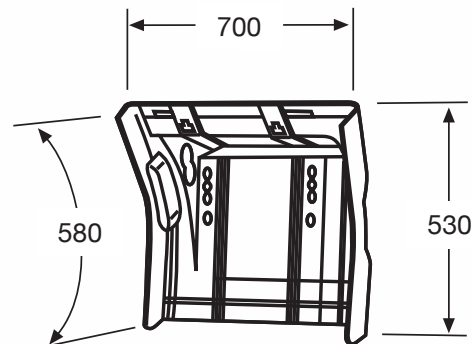
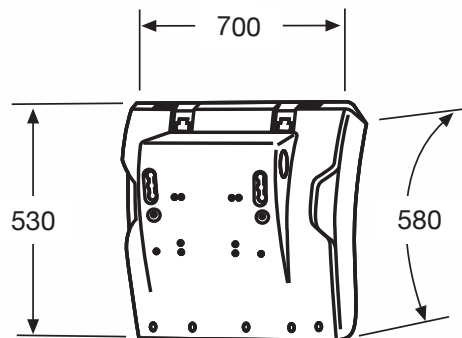
**FH 13 serie | series 2008**  
adattabile a | adaptable to:  
**FH Euro 6**

- **Materiale: PP**
- **Material: PP**

**3FH/520**



**3FH/515**



**3FH/525**



• **3FH/520**  
• O.E.: 21094388  
• destro|sinistro  
• peso kg.: 3,415  
• colore: grigio  
• SEMIPIATTA  
• CON CINGHIETTI

**3FH/520**  
O.E.: 21094388  
RH|LH  
weight kg.: 3,415  
color: grey  
SEMI-FLAT  
WITH STRETCHERS

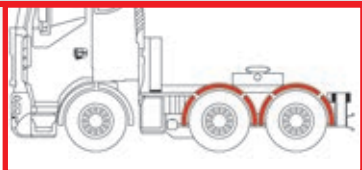
**3FH/515**  
O.E.: 21094391  
22087684  
destro|sinistro  
peso kg.: 1,610  
colore: grigio

••••••••••••••••••••  
**3FH/515**  
O.E.: 21094391  
22087684  
RH|LH  
weight kg.: 1,610  
color: grey



**3FH/515**

# parafanghi posteriori rear mudguards

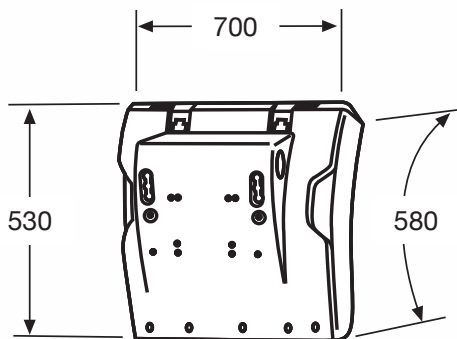
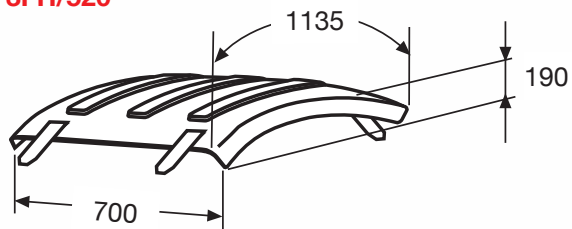


Adattabile a: **Volvo**  
Suitable to:

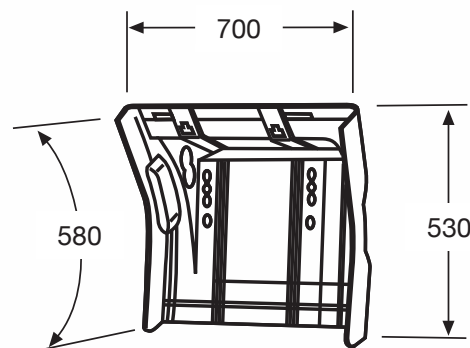
**FH 13 serie | series 2008**  
adattabile a | adaptable to:  
**FH Euro 6**

- **Materiale: PP**
- **Material: PP**

**3FH/520**



**3FH/515**



**3FH/515**

• **3FH/520**

• O.E.: 21094388

• destro|sinistro

• peso kg.: 3,415

• colore: grigio

• SEMIPIATTA

• CON CINGHIETTI

**3FH/520**

O.E.: 21094388

RH|LH

weight kg.: 3,415

color: grigio

SEMI-FLAT

WITH STRETCHERS

**3FH/525**

O.E.: 21094394

21094400

destro|sinistro

peso kg.: 1,825

colore: grigio

SENZA ANTI-SPRAY

**3FH/525**

O.E.: 21094394

21094400

RH|LH

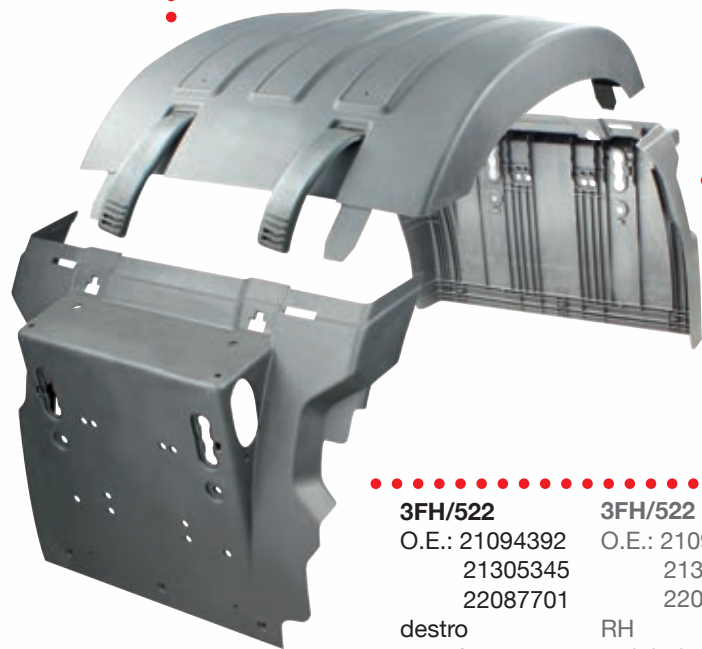
weight kg.: 1,825

color: grey

WITHOUT ANTI-SPRAY

**3FH/520**

**3FH/525**



• **3FH/522**

• O.E.: 21094392

• 21305345

• 22087701

destro

peso kg.: 1,410

colore: grigio

• **3FH/522**

• O.E.: 21094392

• 21305345

• 22087701

RH

weight kg.: 1,410

color: grey

• **3FH/523**

• O.E.: 21094393

• 21305346

• 22087703

sinistro

peso kg.: 1,410

colore: grigio

SENZA ANTI-SPRAY

• **3FH/523**

• O.E.: 21094393

• 21305346

• 22087703

LH

weight kg.: 1,410

color: grey

WITHOUT ANTI-SPRAY

# parafanghi posteriori rear mudguards

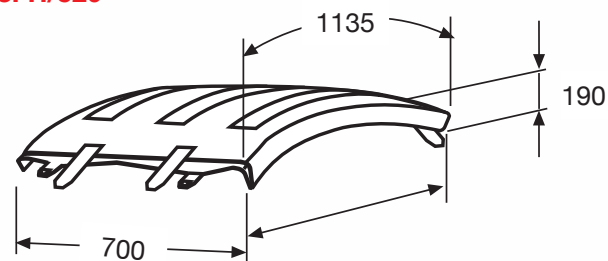


Adattabile a: **Volvo**  
Suitable to:

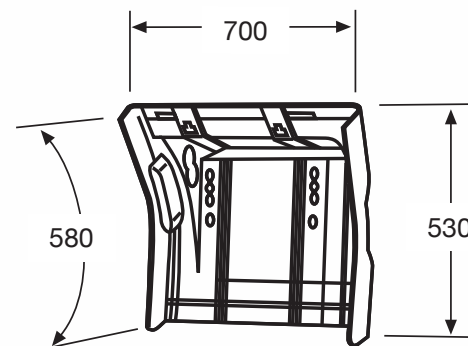
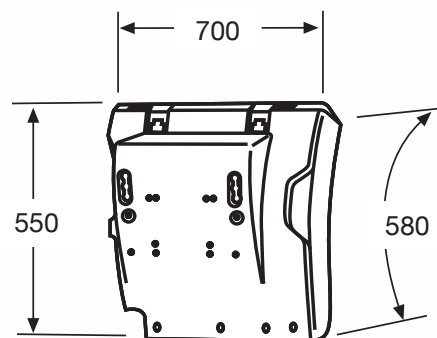
**FH 13 serie | series 2008**  
adattabile a | adaptable to:  
**FH Euro 6**

- **Materiale: PP**
- **Material: PP**

**3FH/520**



**3FH/522**  
**3FH/523**



**3FH/525**



**3FH/510**

O.E.: 21094457  
peso kg.: 0,115  
colore: grigio  
Materiale: EPDM

**3FH/510**

O.E.: 21094457  
weight kg.: 0,115  
color: grey  
Material: EPDM



**3FH/515**



**3FH/524**

O.E.: 21094447  
destro|sinistro  
peso kg.: 0,460  
colore: nero  
Materiale: PP

**3FH/524**

O.E.: 21094447  
RH|LH  
weight kg.: 0,460  
color: black  
Materiale: PP



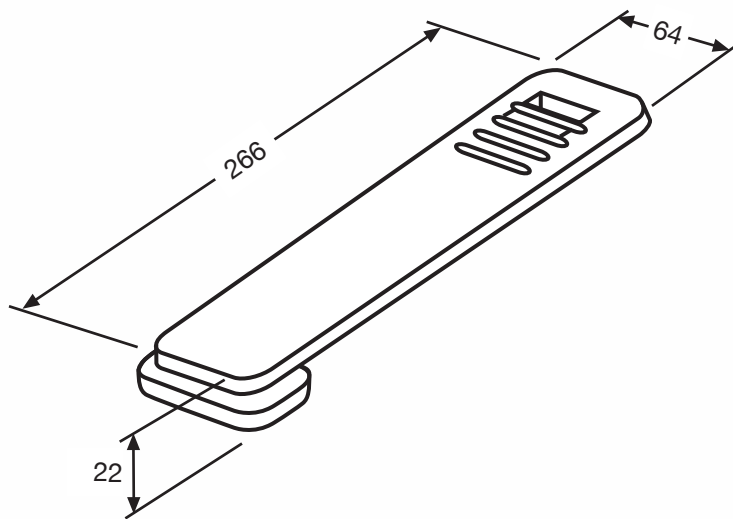
## parafanghi posteriori rear mudguards



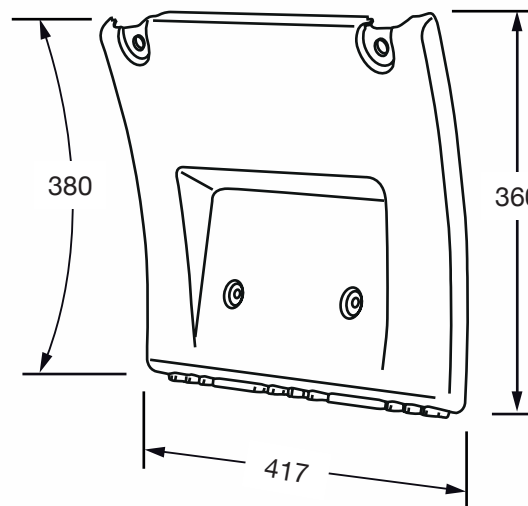
Adattabile a: **Volvo**  
Suitable to:

**FH 13 serie | series 2008**  
adattabile a | adaptable to:  
**FH Euro 6**

**3FH/510**



**3FH/524**



**2FH/515**  
O.E.: 20936759  
destro|sinistro  
peso kg.: 2,190  
colore: grigio  
SEMIPIATTA  
SENZA CINGHIETTI

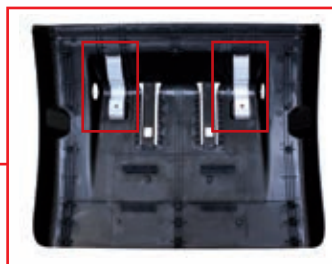
**2FH/515**  
O.E.: 20936759  
RH|LH  
weight kg.: 2,190  
color: grey  
SEMI-FLAT  
WITHOUT STRETCHERS



**2FH/518**  
O.E.: 20392599  
destro|sinistro  
peso kg.: 2,310  
colore: grigio  
SENZA ANTI-SPRAY  
CON STAFFE

**2FH/518**  
O.E.: 20392599  
RH|LH  
weight kg.: 2,310  
color: grey  
WITHOUT ANTI-SPRAY  
WITH BRACKETS

vista interna - internal view



**2FH/520**  
O.E.: 20936769  
destro|sinistro  
peso kg.: 2,795  
colore: grigio  
CIRCOLARE  
SENZA CINGHIETTI

**2FH/520**  
O.E.: 20936769  
RH|LH  
weight kg.: 2,795  
color: grey  
CIRCULAR  
WITHOUT STRETCHERS



**2FH/505**  
O.E.: 20392544  
destro|sinistro  
peso kg.: 1,225  
colore: grigio  
SENZA STAFFE

**2FH/505**  
O.E.: 20392544  
RH|LH  
weight kg.: 1,225  
color: grey  
WITHOUT BRACKETS

**2FH/505**

# parafanghi posteriori rear mudguards



Adattabile a: **Volvo**  
Suitable to:

FH12-FH16 seconda serie | second series

adattabile a | adaptable to:

FH12-FH16 prima serie | first series

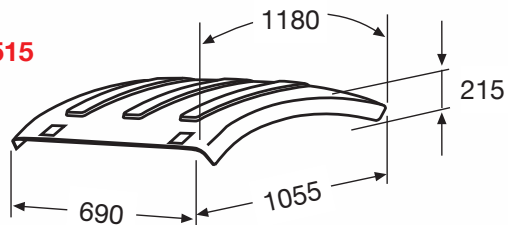
FH 13 serie | series 2008

FM7-FM10-FM12 prima serie | first series

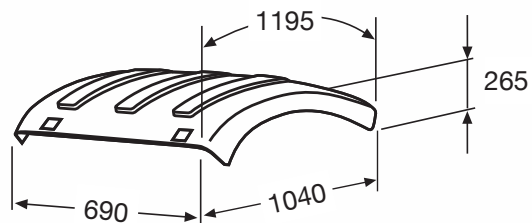
FM7-FM10-FM12 seconda serie | second series

- Materiale: PP
- Material: PP

2FH/515



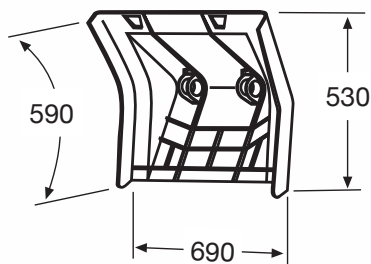
2FH/520

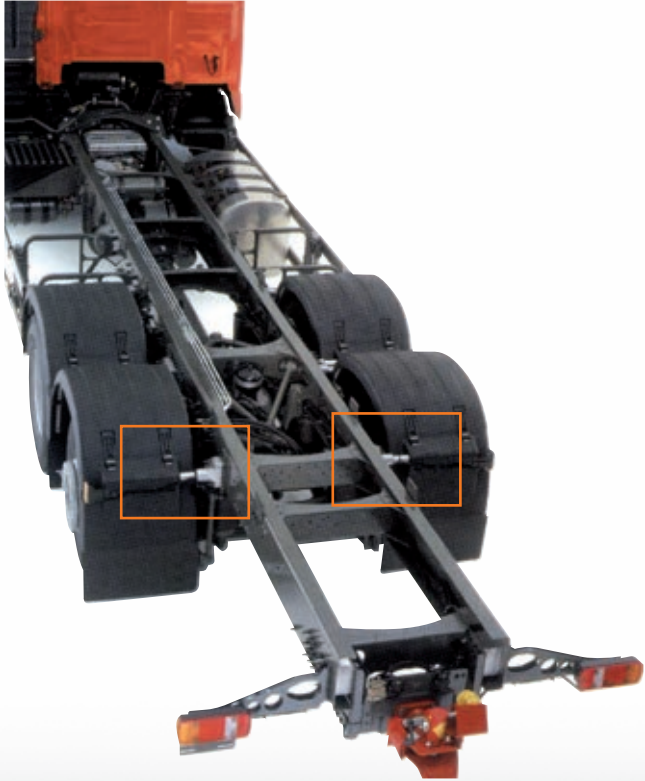


2FH/505



2FH/518





**0FH/521**

O.E.: 20466895

destro|sinistro

posteriore

peso kg.: 2,635

colore: grigio alluminio

**0FH/521**

O.E.: 20466895

RH|LH

rear

weight kg.: 2,635

color: gray aluminum

## parafanghi posteriori rear mudguards



Adattabile a: **Volvo**  
Suitable to:

FH12-FH16 seconda serie | second series

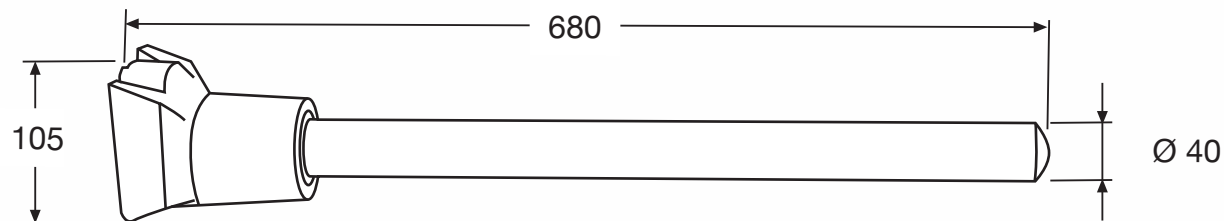
adattabile a | adaptable to:

FH12-FH16 prima serie | first series

FH 13 serie | series 2008

FM7-FM10-FM12 prima serie | first series

FM7-FM10-FM12 seconda serie | second series



- **Materiale:** Alluminio pressofuso
- in lega Al
- **Material:** Al alloy
- Die-Cast Aluminium





**0FH/520**

O.E.: 8154385

destro|sinistro

anteriore

peso kg.: 2,745

colore: grigio alluminio

**0FH/520**

O.E.: 8154385

RH|LH

front

weight kg.: 2,745

color: gray aluminum

## parafanghi posteriori rear mudguards



Adattabile a: **Volvo**  
Suitable to:

FH12-FH16 seconda serie | second series

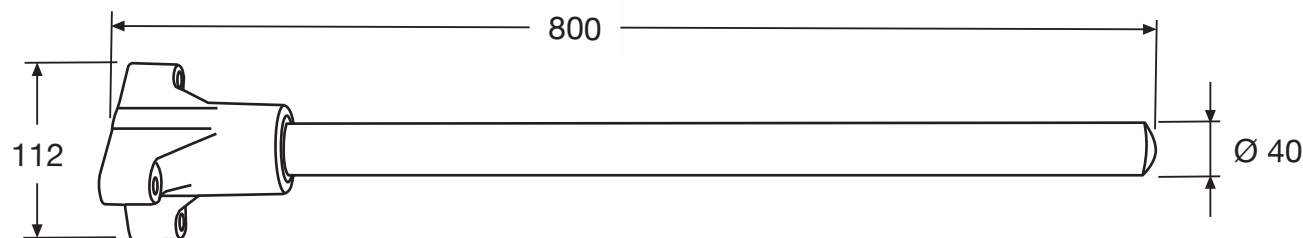
adattabile a | adaptable to:

FH12-FH16 prima serie | first series

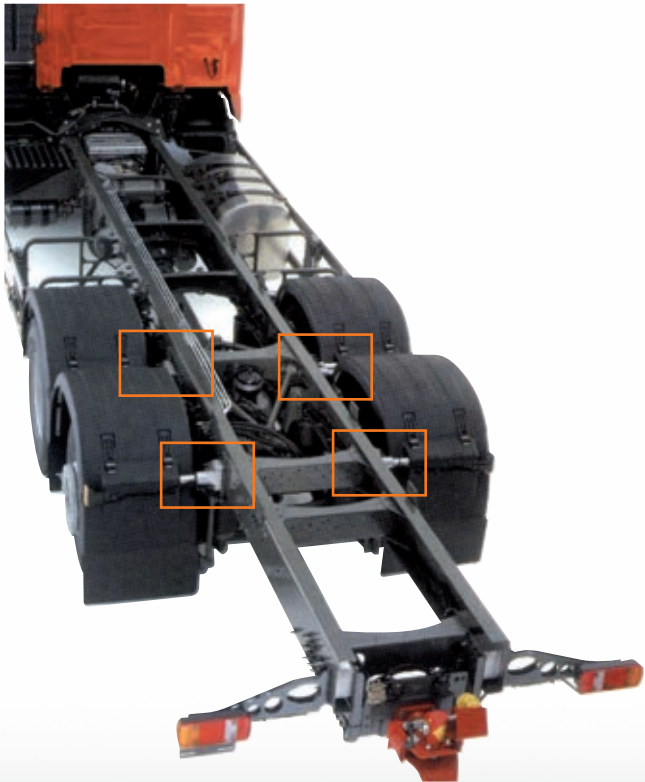
FH 13 serie | series 2008

FM7-FM10-FM12 prima serie | first series

FM7-FM10-FM12 seconda serie | second series



- **Materiale:** Alluminio pressofuso
- in lega Al
- **Material:** Al alloy
- Die-Cast Aluminium



**OFH/522**

O.E.: 20466894

destro|sinistro

anteriore | posteriore

peso kg.: 2,500

colore: grigio alluminio

**OFH/522**

O.E.: 20466894

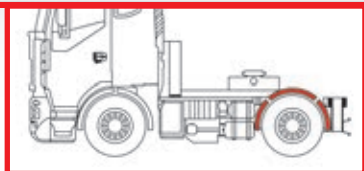
RH|LH

front | rear

weight kg.: 2,500

color: gray aluminum

## parafanghi posteriori rear mudguards



Adattabile a: **Volvo**  
Suitable to:

FH12-FH16 seconda serie | second series

adattabile a | adaptable to:

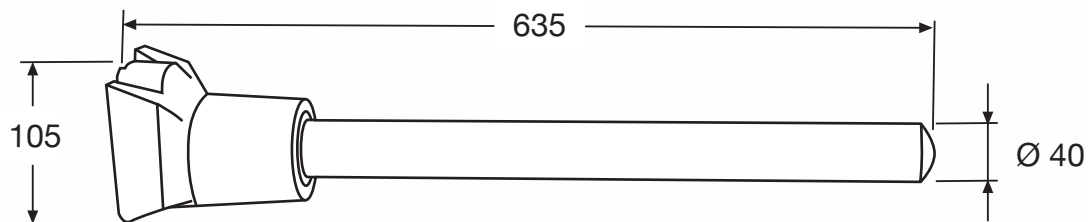
FH12-FH16 prima serie | first series

FH 13 serie | series 2008

FM7-FM10-FM12 prima serie | first series

FM7-FM10-FM12 seconda serie | second series

- **Materiale:** Alluminio pressofuso
- in lega Al
- **Material:** Al alloy
- Die-Cast Aluminium





**2FH/510**  
O.E.: 1079981  
peso kg.: 0,135  
colore: grigio  
materiale: EPDM

**2FH/510**  
O.E.: 1079981  
weight kg.: 0,135  
color: grey  
material: EPDM



**PRM/515**  
O.E.: 20498623  
peso kg.: 0,110  
colore: nero  
materiale: EPDM

**PRM/515**  
O.E.: 20498623  
weight kg.: 0,135  
color: black  
material: EPDM



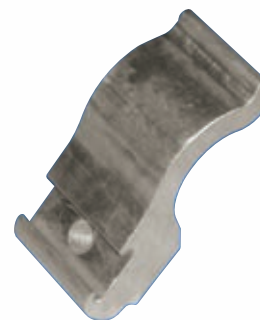
**2FH/513**  
O.E.: 20583434  
peso kg.: 0,150  
colore: alluminio  
materiale: lega Al

**2FH/513**  
O.E.: 20583434  
weight kg.: 0,150  
color: aluminium  
material: Al alloy



**2FH/514**  
O.E.: 20583440  
peso kg.: 0,120  
colore: alluminio  
materiale: lega Al

**2FH/514**  
O.E.: 20583440  
weight kg.: 0,120  
color: aluminium  
material: Al alloy





## parafanghi posteriori rear mudguards



Adattabile a: **Volvo**  
Suitable to:

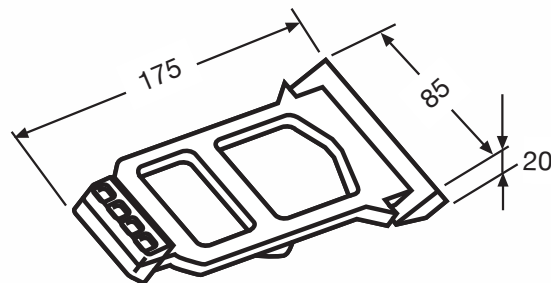
**FH12-FH16 seconda serie | second series**  
adattabile a | adaptable to:

**FH12-FH16 prima serie | first series**

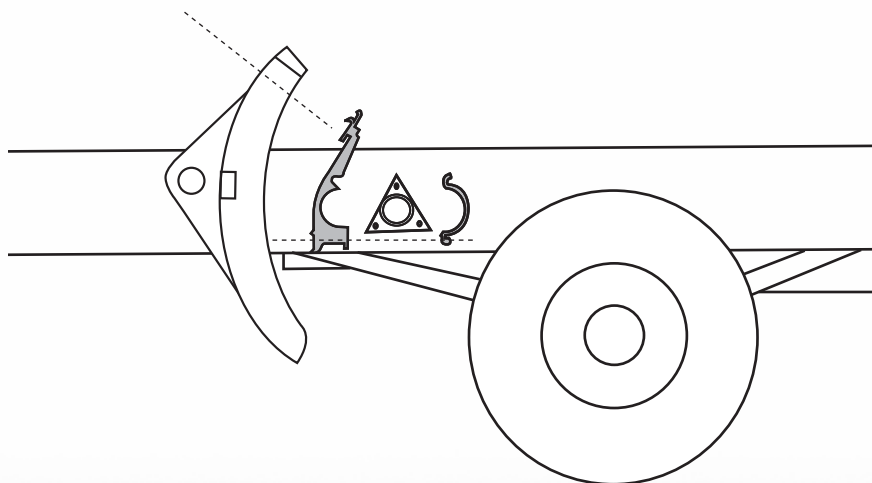
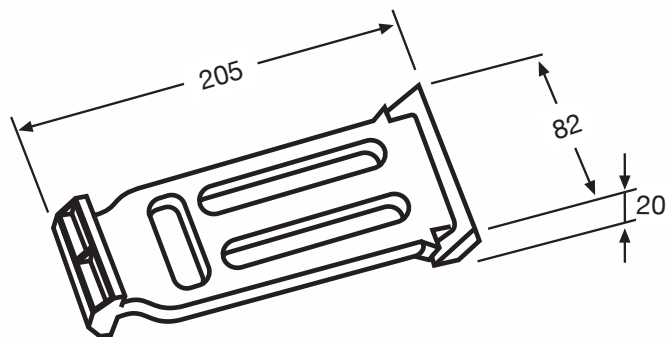
**FM7-FM10-FM12 prima serie | first series**

**FM7-FM10-FM12 seconda serie | second series**

**PRM/515**



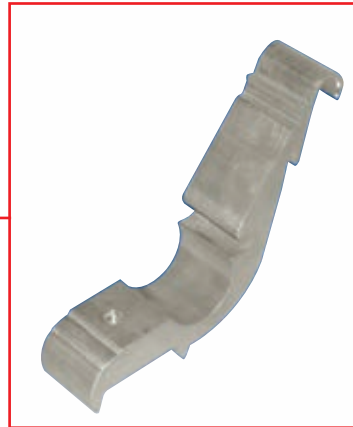
**2FH/510**





**2FH/517**  
O.E.: 3987252  
peso kg.: 0,350  
colore: alluminio

**2FH/517**  
O.E.: 3987252  
weight kg.: 0,350  
color: aluminium



## parafanghi posteriori rear mudguards



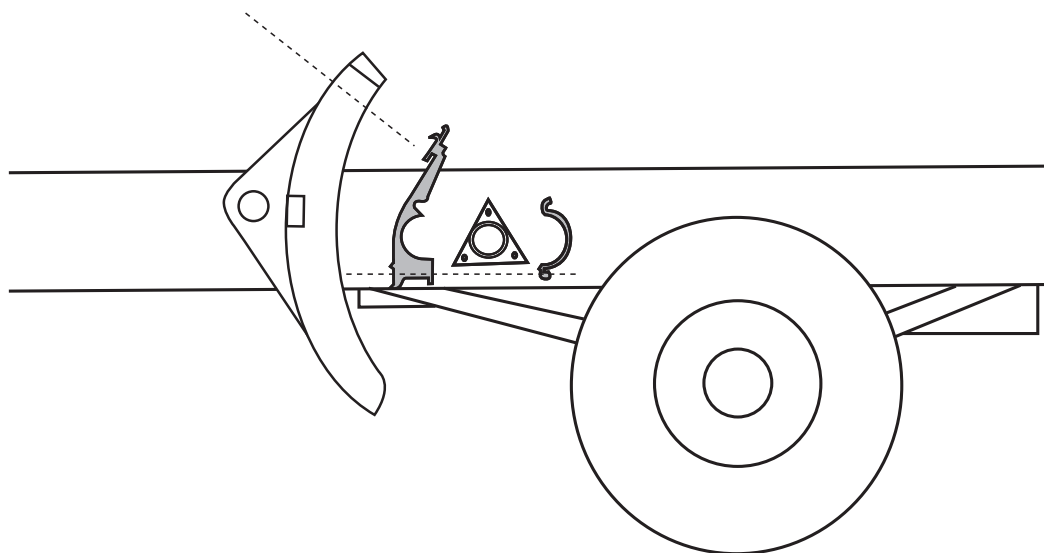
Adattabile a: **Volvo**  
Suitable to:

FH12-FH16 seconda serie | second series  
adattabile a | adaptable to:

FH12-FH16 prima serie | first series

FM7-FM10-FM12 prima serie | first series

FM7-FM10-FM12 seconda serie | second series



- **Materiale:** Lega Al
- **Material:** Al alloy

- **0FH/515**
  - O.E.: 8190106
  - destro|sinistro
  - peso kg.: 3,700
  - colore: nero
  - SEMIPIATTA
  - CON CINGHIETTI
- **0FH/515**
  - O.E.: 8190106
  - RH|LH
  - weight kg.: 3,700
  - color: black
  - SEMI-FLAT
  - WITH STRETCHERS



- **0FH/519**
- O.E.: 8156554
- destro|sinistro
- peso kg.: 3,300
- colore: nero
- SENZA ANTI-SPRAY

- **0FH/519**
- O.E.: 8156554
- RH|LH
- weight kg.: 3,300
- color: black
- WITHOUT ANTI-SPRAY

- **0FH/518**
- O.E.: 8156551
- destro|sinistro
- peso kg.: 3,300
- colore: nero

- **0FH/518**
- O.E.: 8156551
- RH|LH
- weight kg.: 3,300
- color: black

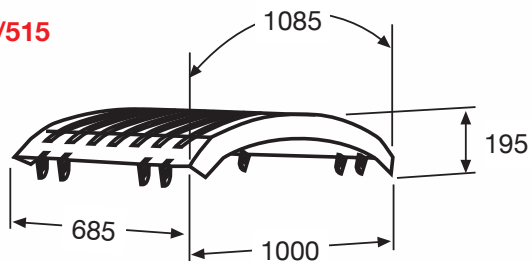
# parafanghi posteriori rear mudguards



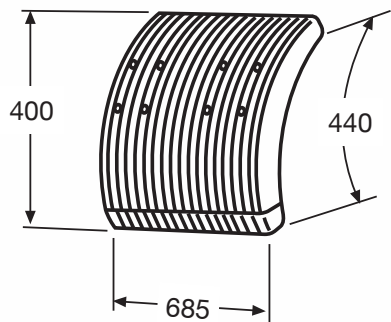
Adattabile a: **Volvo**  
Suitable to:

**FH12-FH16 prima serie | first series**  
**adattabile a | adaptable to:**  
**FM7-FM10-FM12 prima serie | first series**

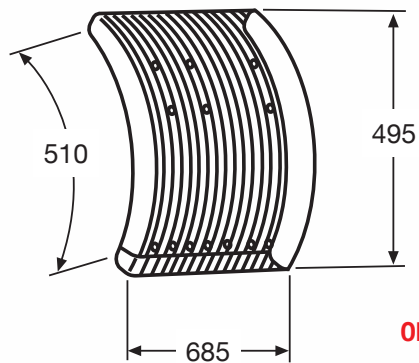
**0FH/515**



- **Materiale: PP**
- **Material: PP**
- 
- 
- 
- 
- 
- 
- 
- 

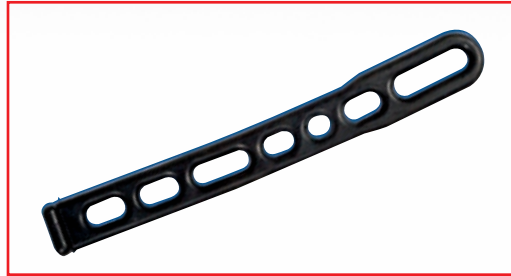


**0FH/518**



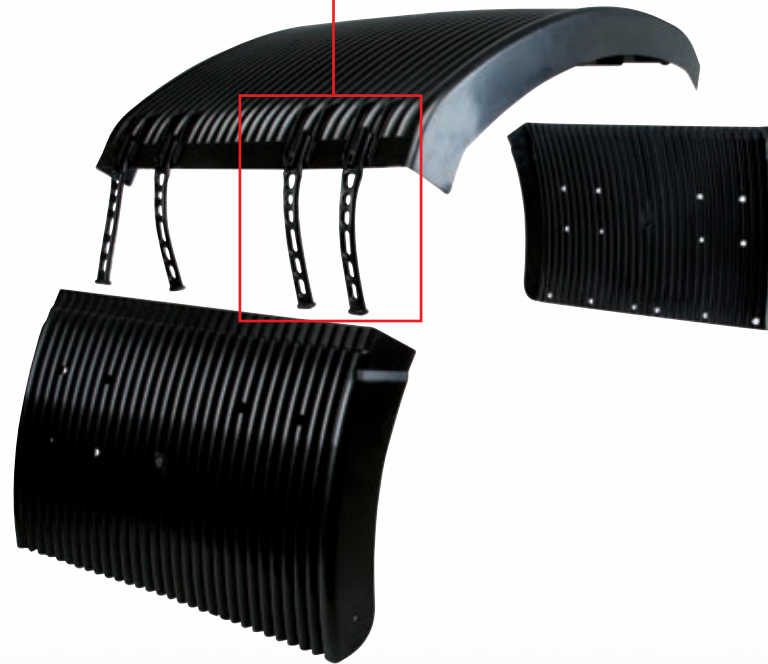
**0FH/519**





**0FH/510**  
O.E.: 8156556  
peso kg.: 0,080  
colore: nero

**0FH/510**  
O.E.: 8156556  
weight kg.: 0,080  
color: black



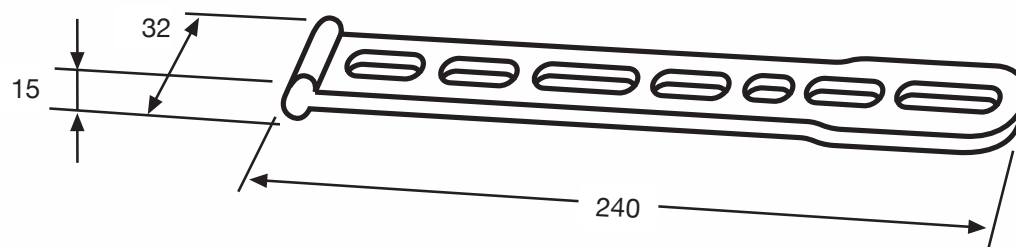
## parafanghi posteriori rear mudguards



Adattabile a: **Volvo**  
Suitable to:

**FH12-FH16 prima serie | first series**  
**adattabile a | adaptable to:**  
**FM7-FM10-FM12 prima serie | first series**

- **Materiale: EPDM**
- **Material: EPDM**



**PAT/100**



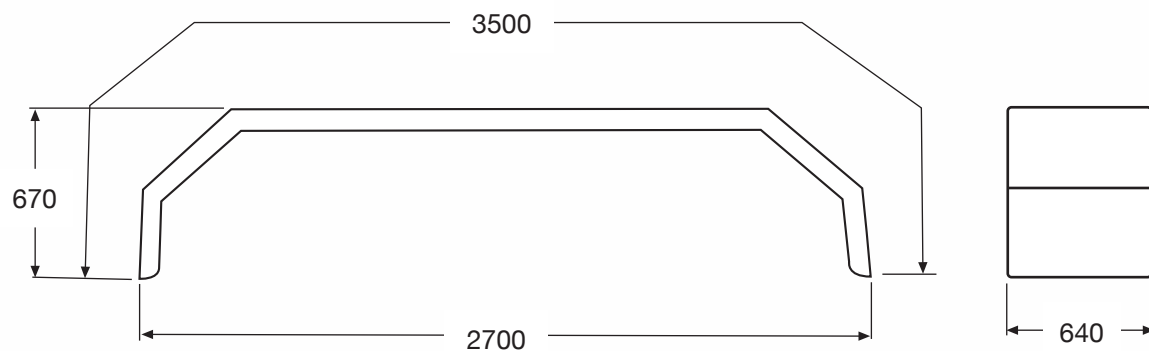
**PAT/100**  
O.E.: -  
destro|sinistro  
peso kg.: 42,500  
colore: grigio

**PAT/100**  
O.E.: -  
RH|LH  
weight kg.: 42,500  
color: grey

# parafanghi posteriori universali standard rear mudguards

PAT

- Parafango posteriore unificato per autocarri con due assi posteriori, sagomato e nervato tipo Betoncar, in lamiera grezza da 20/10.
- Unified rear mudguard for trucks with two rear wheel base, shaped and ribbed Betoncar similar, unprocessed sheet 20/10.



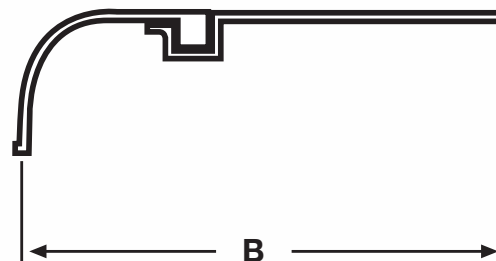
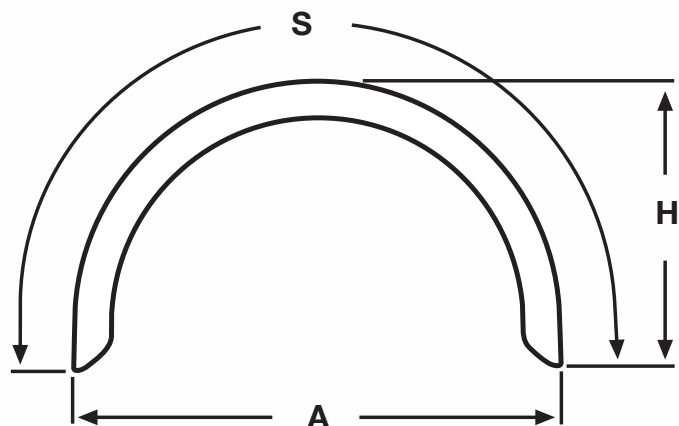
**PFG/ 01 - PFG/ 06 - PFG/ 10 - PFG/ 14 - PFG/ 18 - PFG/ 21 - PFG/ 26 - PFG/ 28 - PFG/ 30**





# parafanghi posteriori universali standard rear mudguards

PFG



- Parafanghi universali posteriori in acciaio zincato - spessore mm 0,8
- con bordo in PVC - spessore mm 60
- Standard PVC-edged (thickness mm 0,8)
- zinc-plated mudguars (thickness mm 60)

Rif. Covind	Covind Ref.	Dimensioni (mm) Dimensions (mm)				Peso Kg. Weight Kg.	Pneumatici Tyres
		A	B	H	S		
PFG/ 01		860	400	415	1350	5,500	185SR14 - 195RI4C
PFG/ 06		950	440	475	1500	7,000	6.50.16 - 7.00.15 - 7.00.16
PFG/ 10		965	485	556	1665	8,000	7.50.18 - 6.00.20 - 7.00.18
PFG/ 14		1135	540	560	1750	9,000	7.50.18 - 6.00.20 - 7.00.18
PFG/ 18		1130	600	580	1800	10,000	7.50.20
PFG/ 21		1130	540	625	2000	10,250	9.00.20 - 8.25.20 - 7.50.16 - 7.50.20
PFG/ 26		1400	600	655	2100	12,000	11.00.20
PFG/ 28		1320	620	610	2000	15,000	11.00.20
PFG/ 30		1500	640	720	2300	15,000	11.00.20 - 12.00.20

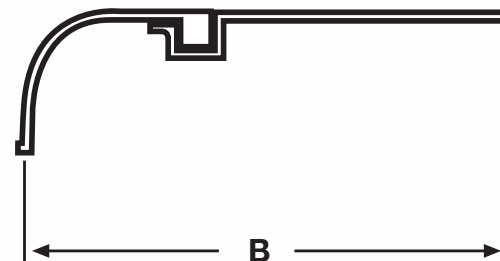
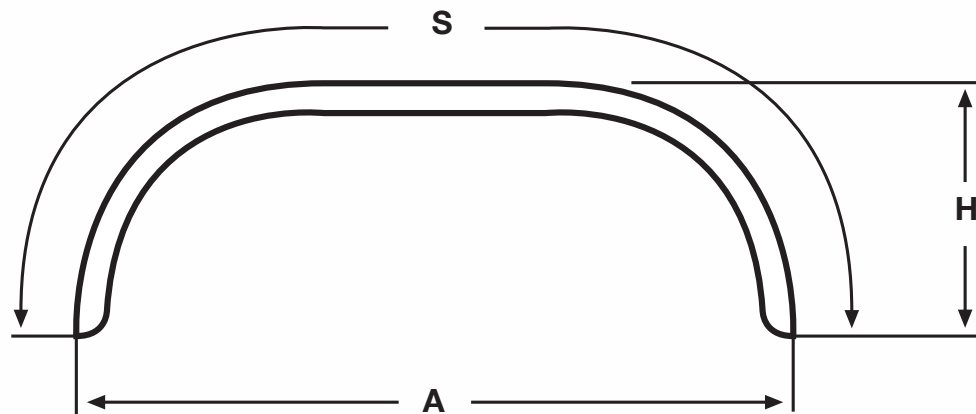
**PFG/60 - PFG/70**



# parafanghi posteriori universali standard rear mudguards

**PFG**

- Parafanghi universali posteriori in acciaio zincato - spessore mm 0,8
- con bordo in PVC - spessore mm 60
- Standard PVC-edged (thickness mm 0,8)
- zinc-plated mudguards (thickness mm 60)



Rif. Covind Covind Ref.	Dimensioni (mm) Dimensions (mm)				Peso Kg. Weight Kg.	Pneumatici Tyres
	A	B	H	S		
PFG/ 60	2640	600	650	3400	22,000	11.00.20 - 12.00.20
PFG/ 70	2635	640	700	3400	25,000	11.00.20 - 12.00.20

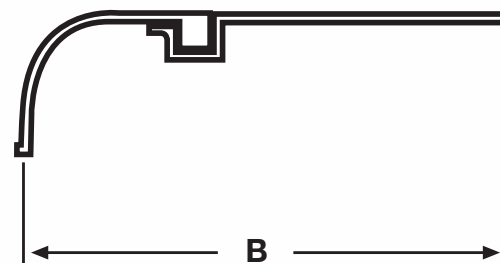
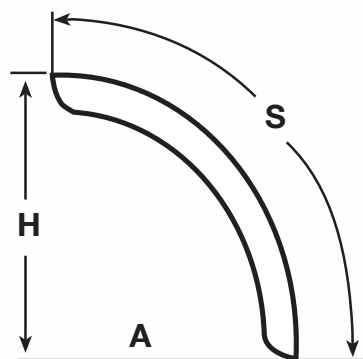
**PFG/90 - PFG/91 - PFG/92**



# parafanghi posteriori universali standard rear mudguards

PFG

- Parafanghi universali posteriori in acciaio zincato - spessore mm 0,8
- con bordo in PVC - spessore mm 60
- Standard PVC-edged (thickness mm 0,8)
- zinc-plated mudguars (thickness mm 60)



Rif. Covind Covind Ref.	Dimensioni (mm) Dimensions (mm)				Peso Kg. Weight Kg.	Pneumatici Tyres
	A	B	H	S		
PFG/ 90	667	586	105	700	5,000	11.00.20
PFG/ 91	667	650	100	700	5,000	6.50.16 - 7.00.15 - 7.00.16
PFG/ 92	910	640	185	995	6,000	7.50.18 - 6.00.20 - 7.00.18

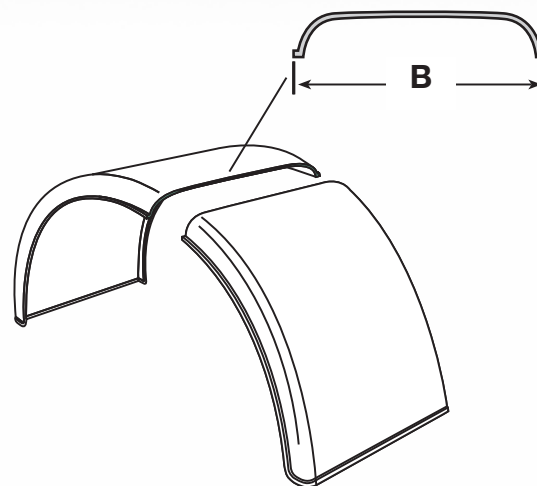
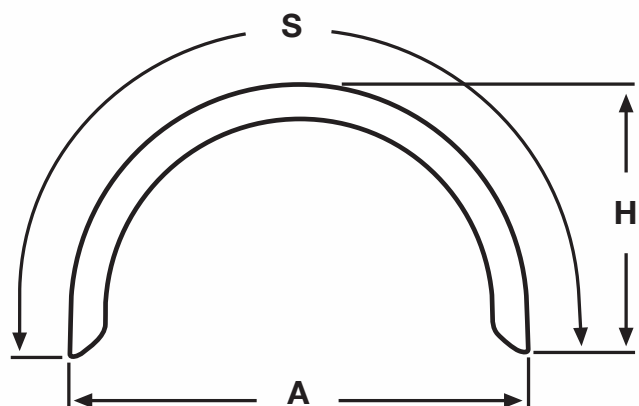


**TPL/270 - TPL/400 - TPL/425 - TPL/430 - TPL/500 - TPL/550 - TPL/600 - TPL/640 - TPL/650**



# parafanghi posteriori universali standard rear mudguards

TPL



- Parafanghi in polipropilene (PP-EPDM)
- Polypropylene (PP-EPDM) mudguards

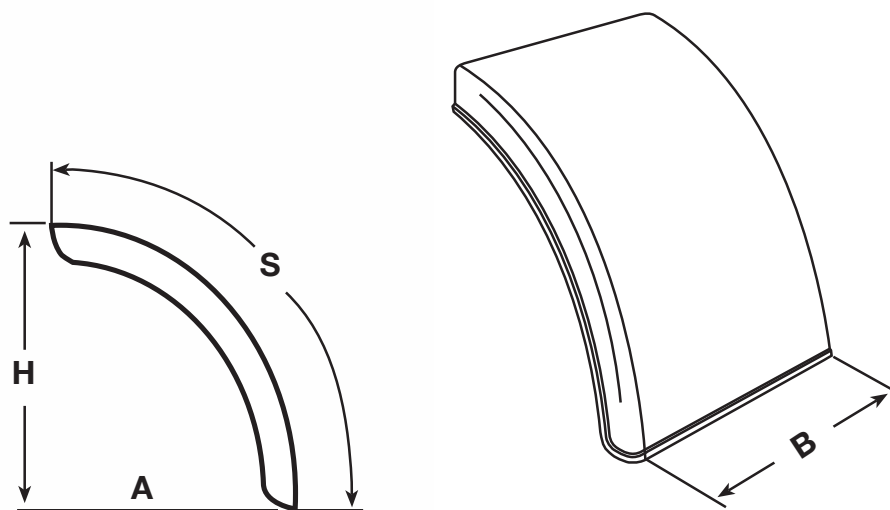
Rif. Covind	Dimensioni (mm)		Dimensions (mm)		Peso Kg.	Weight Kg.	Pneumatici Tyres
	A	B	H	S			
TPL/270	840	270	400	1290	1,400	-	
TPL/400	860	440	425	1350	2,800	185SR14 - 195R14C	
TPL/425	1280	420	690	2120	4,300	385 - 65R22.5	
TPL/430	1270	440	580	1900	2,900	-	
TPL/500	1010	500	510	1620	2,800	-	
TPL/550	1140	540	560	1780	3,400	-	
TPL/600	1180	590	580	1840	3,600	7.50.20	
TPL/640	1310	660	570	1900	5,900	11.00.20 - 12.00.20	
TPL/650	1360	660	670	2130	5,900	11.00.20 - 12.00.20	

**TPL/700 - TPL/750 - TPL/800 - TPL/850 - TPL/900 - TPL/950**



# parafanghi posteriori universali standard rear mudguards

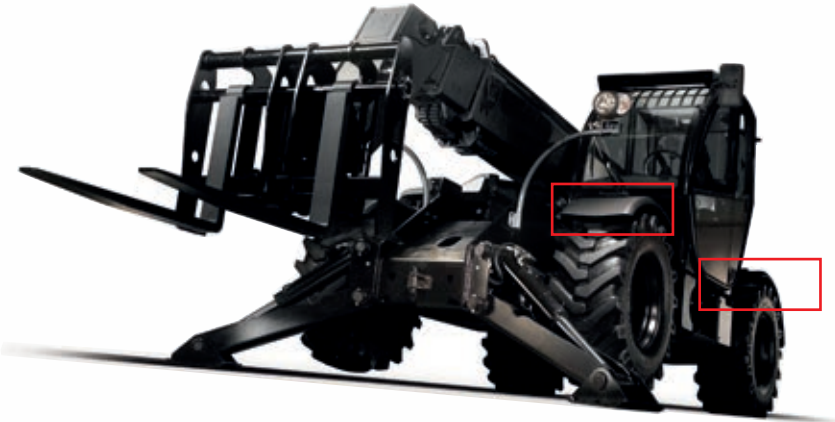
**TPL**



- Parafanghi in polipropilene (PP-EPDM)
- Polypropylene (PP-EPDM) mudguards

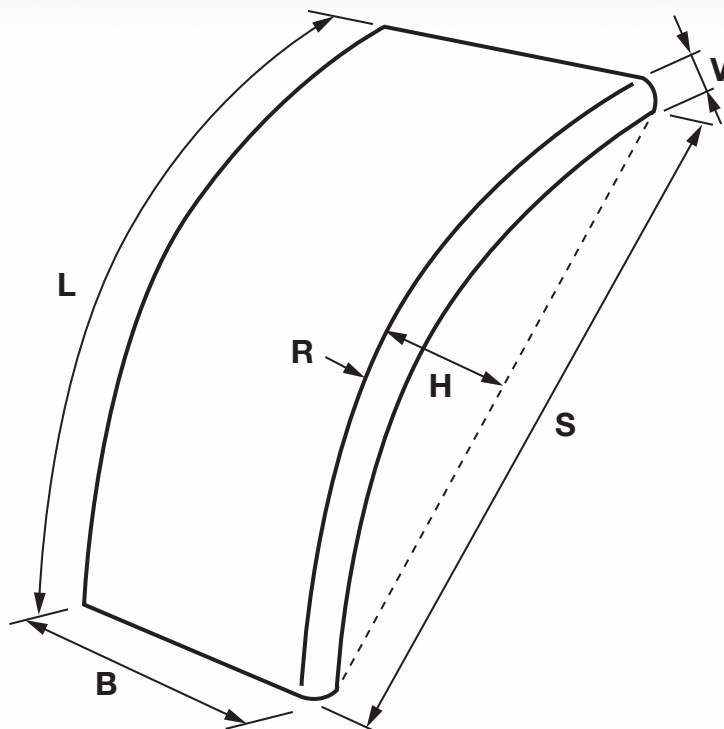
Rif. Covind Covind Ref.	Dimensioni (mm) Dimensions (mm)				Peso Kg. Weight Kg.	Pneumatici Tyres
	A	B	H	S		
TPL/700	660	420	670	700	1,130	11.00.20 - 12.00.20
TPL/750	675	660	150	715	1,540	11.00.20 - 12.00.20
TPL/800	745	420	170	800	1,300	11.00.20 - 12.00.20
TPL/850	755	655	170	790	1,930	11.00.20 - 12.00.20
TPL/900	900	420	225	1010	1,600	11.00.20 - 12.00.20
TPL/950	890	660	210	985	2,300	11.00.20 - 12.00.20

## TPL/960 - TPL/970 - TPL/980





# parafanghi speciali special mudguards



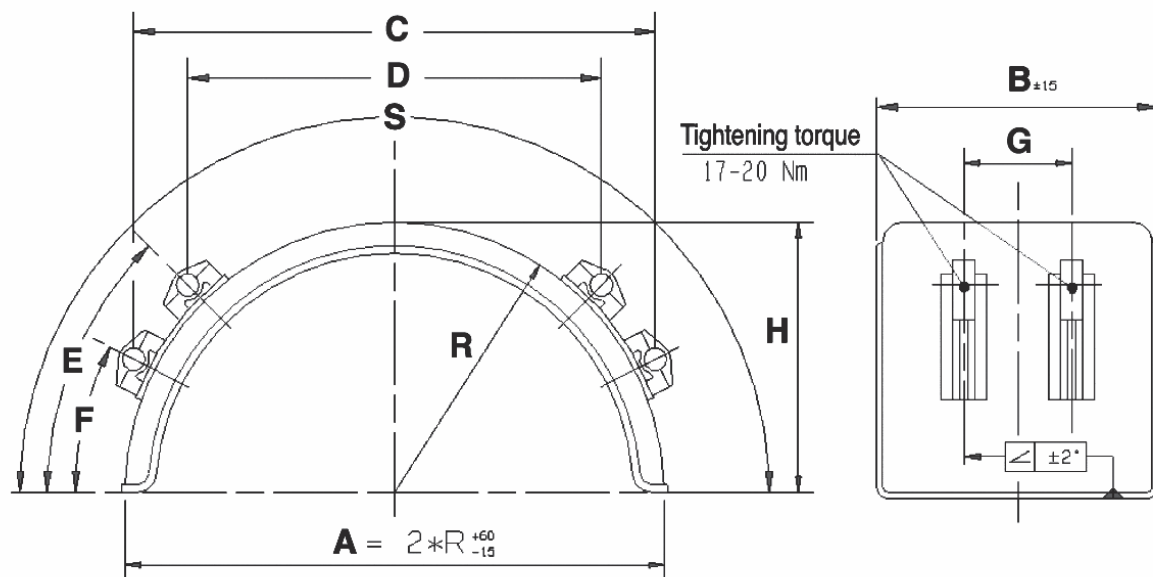
Rif. Covind Covind Ref.	Dimensioni (mm) Dimensions (mm)						Peso Kg. Weight Kg.
	B	L	R	V	H	S	
TPL/960	355	1070	660	45	215	1100	1,185
TPL/970	520	1550	820	50	350	1330	2,350
TPL/980	600	1550	820	50	350	1330	-

## TPS/300 - TPS/400 - TPS/455



# parafanghi posteriori universali standard rear mudguards

TPS



- **Descrizione del prodotto:**
- Buona flessibilità a bassa temperatura e il comportamento termico di stato (temperatura: -40 ° C a +80 ° C circa) - stabilità UV
- Alta resistenza - Buona resistenza alla trazione e lacerazione.
- **Materiale:** PE
- **Colore:** nero
- **Staffe supporto parafango:** applicate, scorrevoli e regolabili.
- Senza anti-spray
- **Product Description:**
- Good flexibility at low temperature and behavior thermal state (temperature: -40 ° C to +80 ° C)
- UV-stability - High resistance
- Good tensile strength
- **Material:** PE
- **Color:** black
- **Mudguard brackets:** welded, sliding and adjustable.
- Without anti-spray

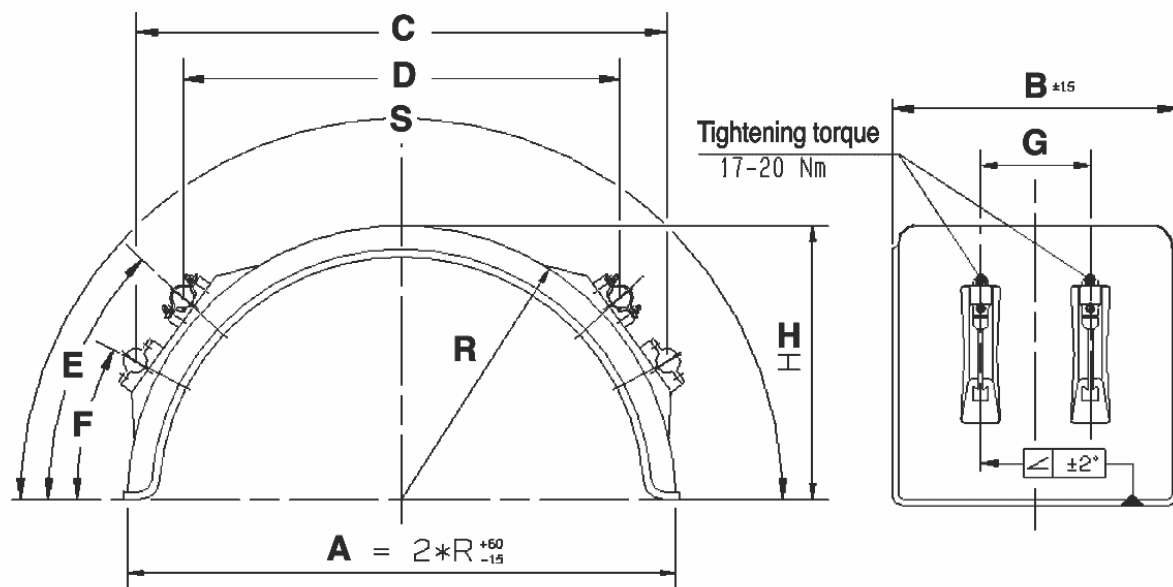
Rif. Covind	Covind Ref.	Dimensioni (mm) Dimensions (mm)										Peso Kg. Weight Kg.
		A	B	C	D	E	F	G	H	R	S	
TPS/300		1120	300	900	640	540	380	150	540	560	1700	4,060
TPS/400		900	400	775	515	490	330	150	480	450	1470	3,710
TPS/455		1300	450	810	560	490	330	150	490	450	1520	3,970

## TPS/410 - TPS/450 - TPS/500



# parafanghi posteriori universali standard rear mudguards

TPS



- **Descrizione del prodotto:**
- Buona flessibilità a bassa temperatura e il comportamento termico di stato (temperatura: -40 ° C a +80 ° C circa) - stabilità UV
- Alta resistenza - Buona resistenza alla trazione e lacerazione.
- **Materiale:** PE
- **Colore:** nero
- **Staffe supporto parafango:** integrate, scorrevoli e regolabili.
- Senza anti-spray
- **Product Description:**
- Good flexibility at low temperature and behavior thermal state (temperature: -40 ° C to +80 ° C)
- UV-stability - High resistance
- Good tensile strength
- **Material:** PE
- **Color:** black
- **Mudguard brackets:** integrated, sliding and adjustable.
- Without anti-spray

Rif. Covind	Covind Ref.	Dimensioni (mm) Dimensions (mm)										Peso Kg. Weight Kg.
		A	B	C	D	E	F	G	H	R	S	
TPS/410		1240	400	956	716	660	500	150	640	640	2010	5,090
TPS/450		900	450	956	716	660	500	150	570	640	1880	5,175
TPS/500		1120	500	945	720	540	380	300	550	570	1750	5,160

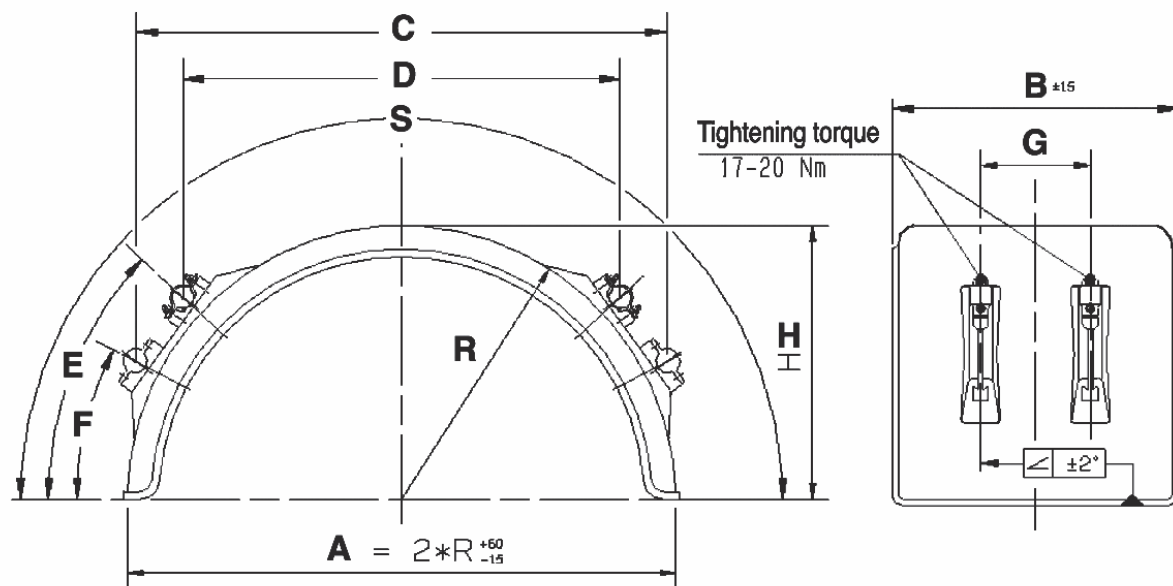


## TPS/510 - TPS/550 - TPS/600



# parafanghi posteriori universali standard rear mudguards

TPS



- **Descrizione del prodotto:**
- Buona flessibilità a bassa temperatura e il comportamento termico di stato (temperatura: -40 ° C a +80 ° C circa) - stabilità UV
- Alta resistenza - Buona resistenza alla trazione e lacerazione.
- **Materiale:** PE
- **Colore:** nero
- **Staffe supporto parafango:** integrate, scorrevoli e regolabili.
- Senza anti-spray
- **Product Description:**
- Good flexibility at low temperature and behavior thermal state (temperature: -40 ° C to +80 ° C)
- UV-stability - High resistance
- Good tensile strength
- **Material:** PE
- **Color:** black
- **Mudguard brackets:** integrated, sliding and adjustable.
- Without anti-spray

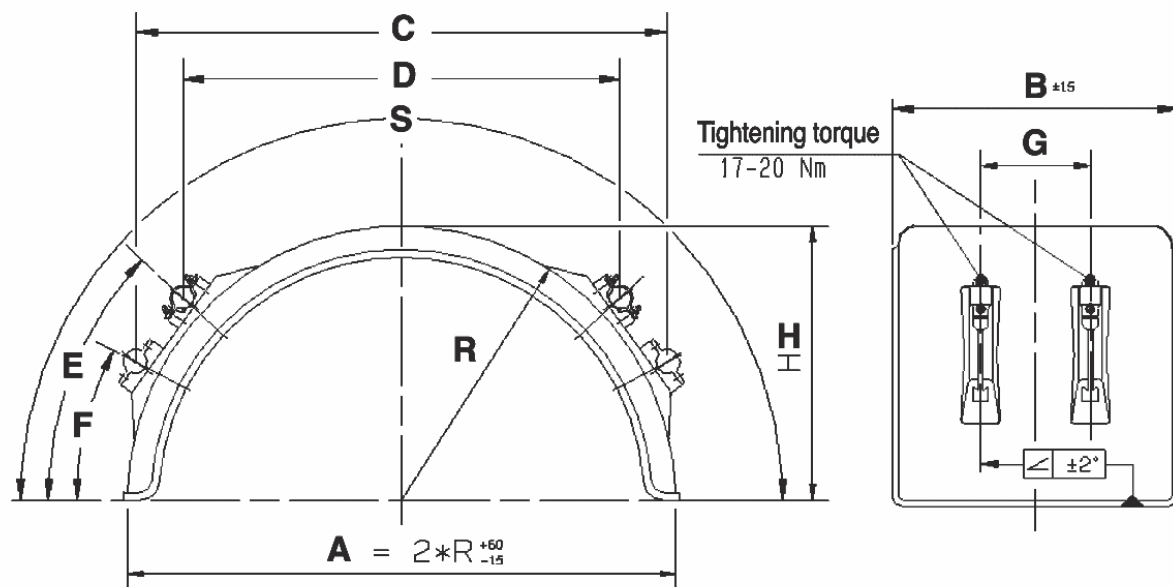
Rif. Covind	Covind Ref.	Dimensioni (mm) Dimensions (mm)										Peso Kg.	Weight Kg.
		A	B	C	D	E	F	G	H	R	S		
TPS/510		1020	510	840	600	540	380	300	520	530	1650		5,105
TPS/550		1000	550	840	600	540	380	300	520	530	1650		5,535
TPS/600		1100	600	945	720	540	380	300	550	570	1750		5,825

**TPS/610 - TPS/650 - TPS/670 - TPS/900 - TPS/950**



# parafanghi posteriori universali standard rear mudguards

TPS



- **Descrizione del prodotto:**
- Buona flessibilità a bassa temperatura e il comportamento termico di stato (temperatura: -40 ° C a +80 ° C circa) - stabilità UV
- Alta resistenza - Buona resistenza alla trazione e lacerazione.
- **Materiale:** PE
- **Colore:** nero
- **Staffe supporto parafango:** integrate, scorrevoli e regolabili.
- Senza anti-spray
- **Product Description:**
- Good flexibility at low temperature and behavior thermal state (temperature: -40 ° C to +80 ° C)
- UV-stability - High resistance
- Good tensile strength
- **Material:** PE
- **Color:** black
- **Mudguard brackets:** integrated, sliding and adjustable.
- Without anti-spray

Rif. Covind	Covind Ref.	Dimensioni (mm) Dimensions (mm)									Peso Kg. Weight Kg.	
		A	B	C	D	E	F	G	H	R	S	
TPS/610		1320	610	1060	835	640	480	300	680	650	2100	6,460
TPS/650		1300	650	985	745	590	430	300	580	650	1900	6,470
TPS/670		1380	670	1050	810	640	480	300	655	690	2100	7,170
TPS/900		2700	650	-	-	-	-	-	730	650	3600	20,110
TPS/950		3100	650	-	-	-	-	-	730	650	4000	24,000

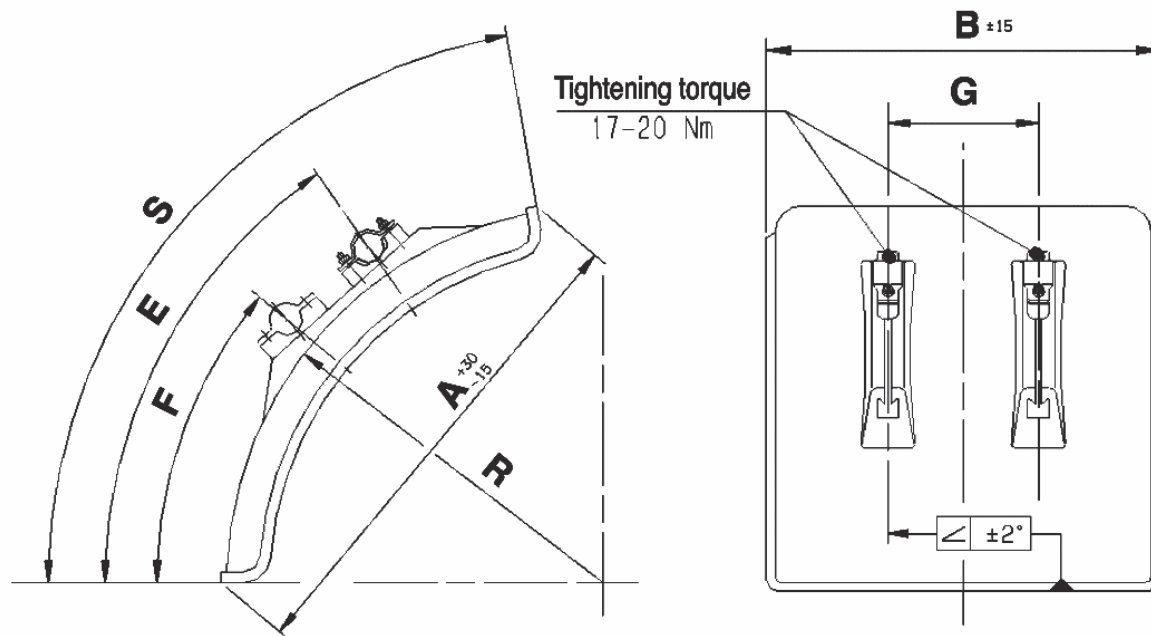
## TPS/700 - TPS/750





# parafanghi posteriori universali standard rear mudguards

TPS



- **Descrizione del prodotto:**
- Buona flessibilità a bassa temperatura
- e il comportamento
- termico di stato (temperatura: -40 ° C
- a +80 ° C circa) - stabilità UV
- Alta resistenza - Buona resistenza alla
- trazione e lacerazione.
- **Materiale:** PE
- **Colore:** nero
- **Staffe supporto parafango:**
- integrate, scorrevoli e regolabili.
- 
- Senza anti-spray
- **Product Description:**
- Good flexibility at low temperature
- and behavior thermal state
- (temperature: -40 ° C to +80 ° C)
- UV-stability - High resistance
- Good tensile strength
- **Material:** PE
- **Color:** black
- **Mudguard brackets:** integrated,
- sliding and adjustable.
- 
- Without anti-spray

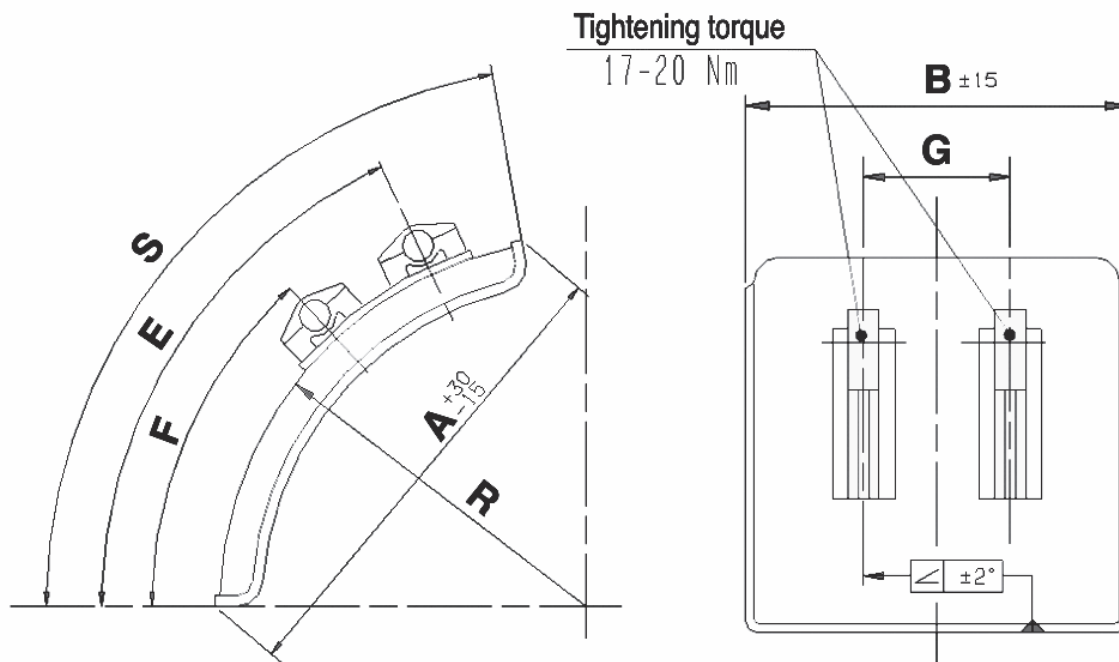
Rif. Covind Covind Ref.	Dimensioni (mm) Dimensions (mm)										Peso Kg. Weight Kg.
	A	B	C	D	E	F	G	H	R	S	
TPS/700	670	450	-	-	570	390	150	-	670	700	1,970
TPS/750	670	650	-	-	540	360	300	-	650	760	2,830

**TPS/850**



# parafanghi posteriori universali standard rear mudguards

TPS



- **Descrizione del prodotto:**
- Buona flessibilità a bassa temperatura
- e il comportamento
- termico di stato (temperatura: -40 ° C
- a +80 ° C circa) - stabilità UV
- Alta resistenza - Buona resistenza alla
- trazione e lacerazione.
- **Materiale:** PE
- **Colore:** nero
- **Staffe supporto parafango:**
- applicate, scorrevoli e regolabili.
- 
- Senza anti-spray
- 
- **Product Description:**
- Good flexibility at low temperature
- and behavior thermal state
- (temperature: -40 ° C to +80 ° C)
- UV-stability - High resistance
- Good tensile strength.
- **Material:** PE
- **Color:** black
- **Mudguard brackets:** welded,
- sliding and adjustable.
- 
- Without anti-spray

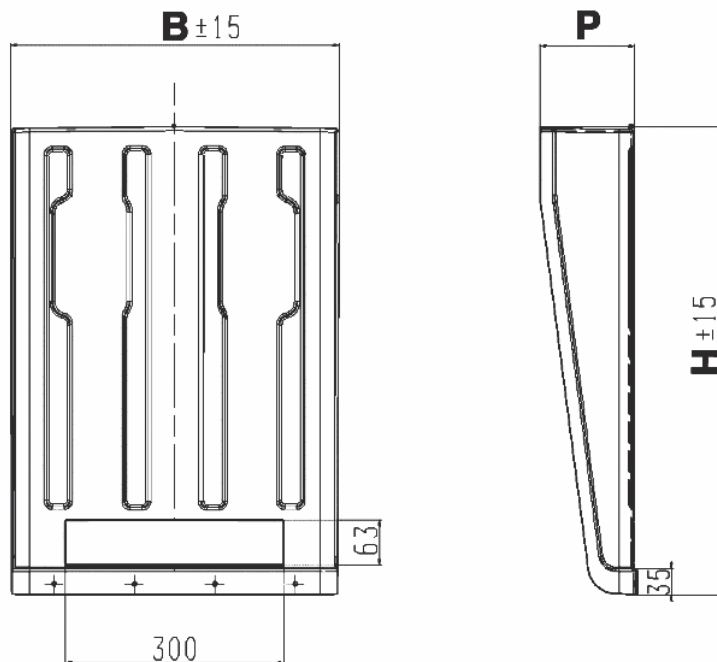
Rif. Covind	Covind Ref.	Dimensioni (mm) Dimensions (mm)										Peso Kg. Weight Kg.
		A	B	C	D	E	F	G	H	R	S	
TPS/850		870	650	-	-	585	405	300	-	650	950	3,165

**TPS/100**



# parafanghi posteriori universali standard rear mudguards

TPS

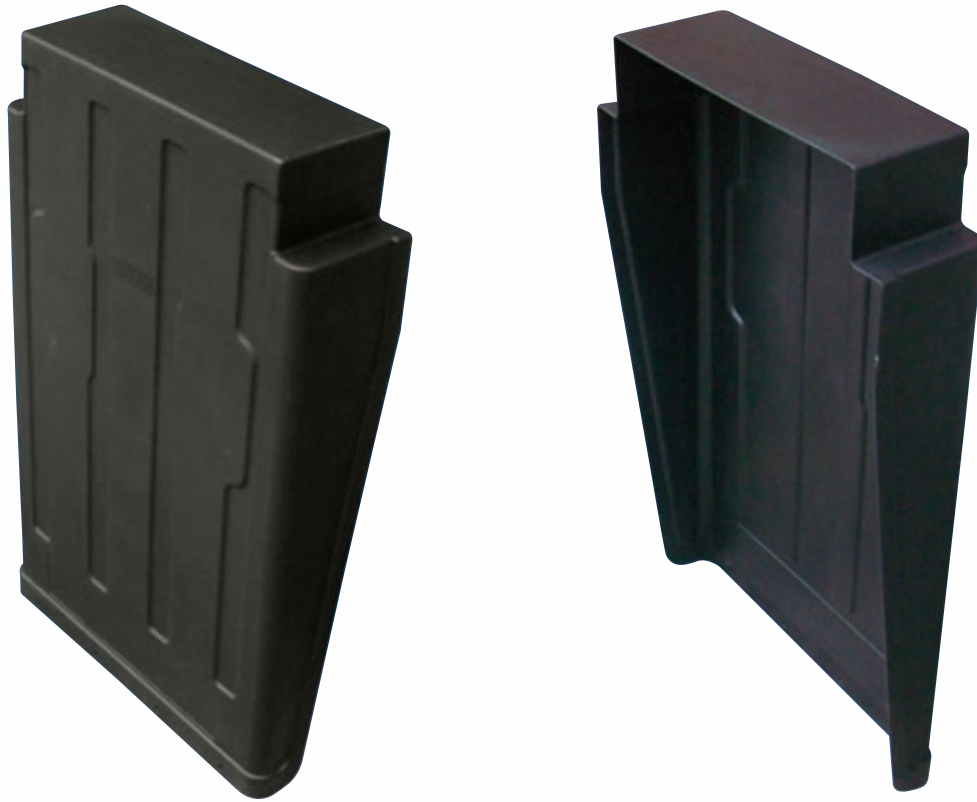


- **Descrizione del prodotto:**
- Buona flessibilità a bassa temperatura
- e il comportamento
- termico di stato (temperatura:  $-40^{\circ}\text{C}$
- a  $+80^{\circ}\text{C}$  circa) - stabilità UV
- Alta resistenza - Buona resistenza alla
- trazione e lacerazione.
- **Materiale:** PP-EPDM
- **Colore:** nero
- 
- Senza anti-spray
- 
- **Product Description:**
- Good flexibility at low temperature
- and behavior thermal state
- (temperature:  $-40^{\circ}\text{C}$  to  $+80^{\circ}\text{C}$ )
- UV-stability - High resistance
- Good tensile strength
- **Material:** PP-EPDM
- **Color:** black
- 
- Without anti-spray

Rif. Covind	Covind Ref.	Dimensioni (mm) Dimensions (mm)										Peso Kg. Weight Kg.
		A	B	C	D	E	F	G	H	P	R	
TPS/100		-	450	-	-	-	-	-	640	130	-	1,245



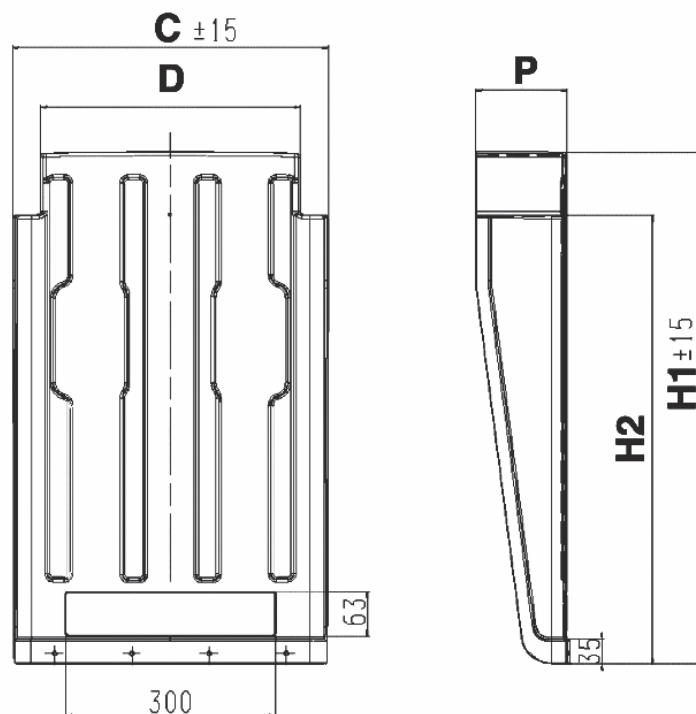
**TPS/110**



# parafanghi posteriori universali standard rear mudguards

Applicabile a  
Suitable to  
SCHMITZ CARGOBULL

TPS



- **Descrizione del prodotto:**
- Buona flessibilità a bassa temperatura
- e il comportamento
- termico di stato (temperatura: -40 ° C
- a +80 ° C circa) - stabilità UV
- Alta resistenza - Buona resistenza alla
- trazione e lacerazione.
- **Materiale:** PP-EPDM
- **Colore:** nero
- 
- Senza anti-spray
- 
- **Product Description:**
- Good flexibility at low temperature
- and behavior thermal state
- (temperature: -40 ° C to +80 ° C)
- UV-stability - High resistance
- Good tensile strength
- **Material:** PP-EPDM
- **Color:** black
- 
- Without anti-spray

Rif. Covind Covind Ref.

Dimensioni (mm) Dimensions (mm)

Peso Kg. Weight Kg.

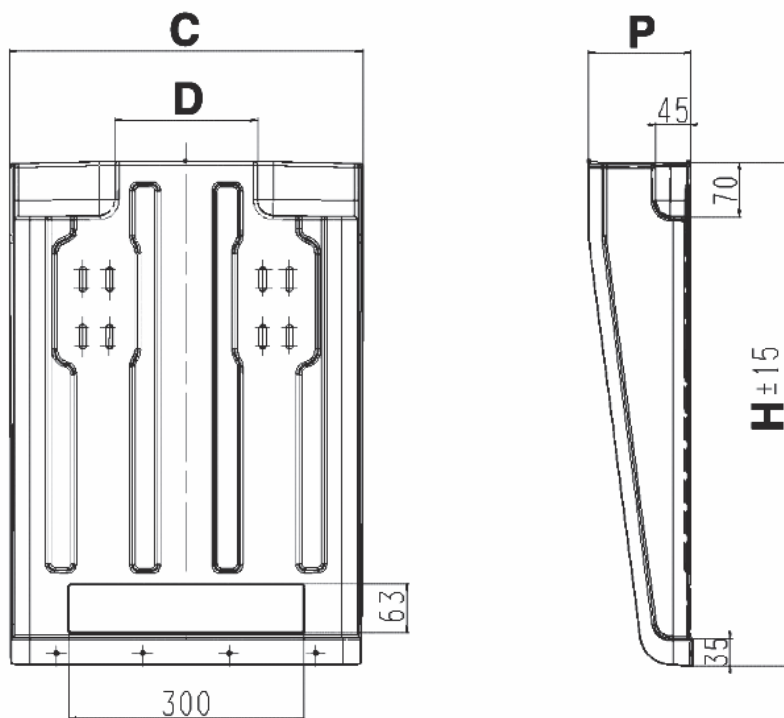
	A	B	C	D	E	F	H1	H2	P	R	
TPS/110	-	-	450	370	-	-	730	640	130	-	1,330

**TPS/120**



# parafanghi posteriori universali standard rear mudguards

TPS



- **Descrizione del prodotto:**
- Buona flessibilità a bassa temperatura
- e il comportamento
- termico di stato (temperatura:  $-40^{\circ}\text{C}$
- a  $+80^{\circ}\text{C}$  circa) - stabilità UV
- Alta resistenza - Buona resistenza alla
- trazione e lacerazione.
- **Materiale:** PP-EPDM
- **Colore:** nero
- 
- Senza anti-spray
- 
- **Product Description:**
- Good flexibility at low temperature
- and behavior thermal state
- (temperature:  $-40^{\circ}\text{C}$  to  $+80^{\circ}\text{C}$ )
- UV-stability - High resistance
- Good tensile strength
- **Material:** PP-EPDM
- **Color:** black
- 
- Without anti-spray

Rif. Covind	Covind Ref.	Dimensioni (mm) Dimensions (mm)								Peso Kg.	Weight Kg.	
		A	B	C	D	E	F	H	P	R		
TPS/120		-	-	450	180	-	-	640	130	-		1,195

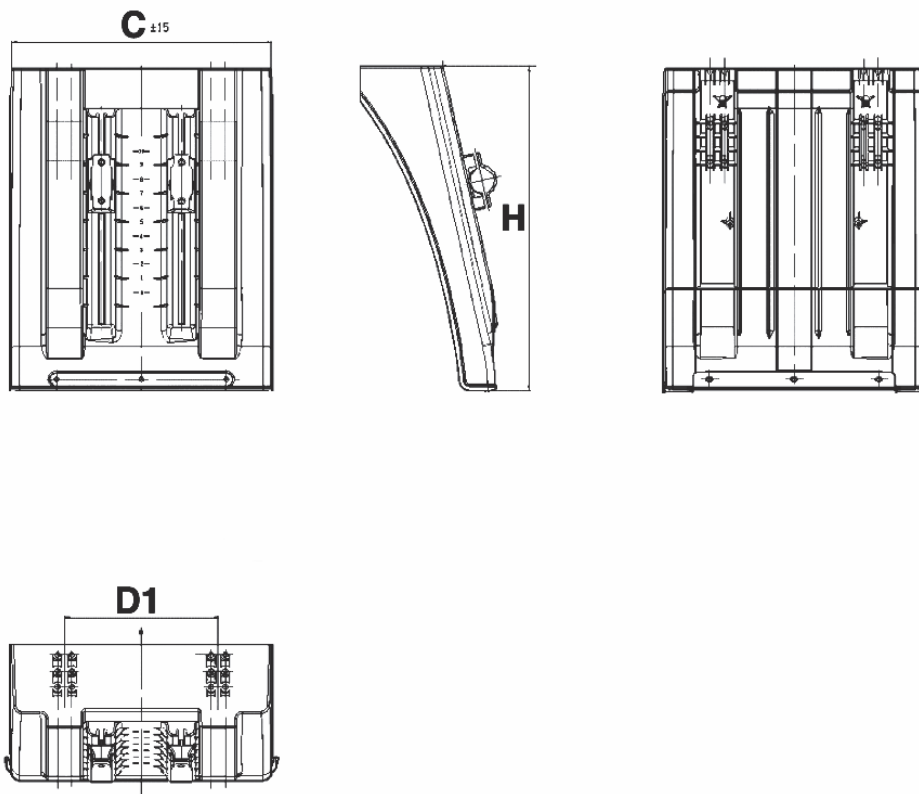
## TPS/130 - TPS/140





# parafanghi posteriori universali standard rear mudguards

TPS



- **Descrizione del prodotto:**
- Buona flessibilità a bassa temperatura e il comportamento termico di stato (temperatura: -40 ° C a +80 ° C circa) - stabilità UV
- Alta resistenza - Buona resistenza alla trazione e lacerazione.
- **Materiale:** PE
- **Colore:** nero
- **Staffe supporto parafango:** integrate, scorrevoli e regolabili
- 
- Senza anti-spray
- 
- **Product Description:**
- Good flexibility at low temperature and behavior thermal state (temperature: -40 ° C to +80 ° C)
- UV-stability - High resistance
- Good tensile strength
- **Material:** PE
- **Color:** black
- **Mudguard brackets:** integrated, sliding and adjustable.
- 
- Without anti-spray

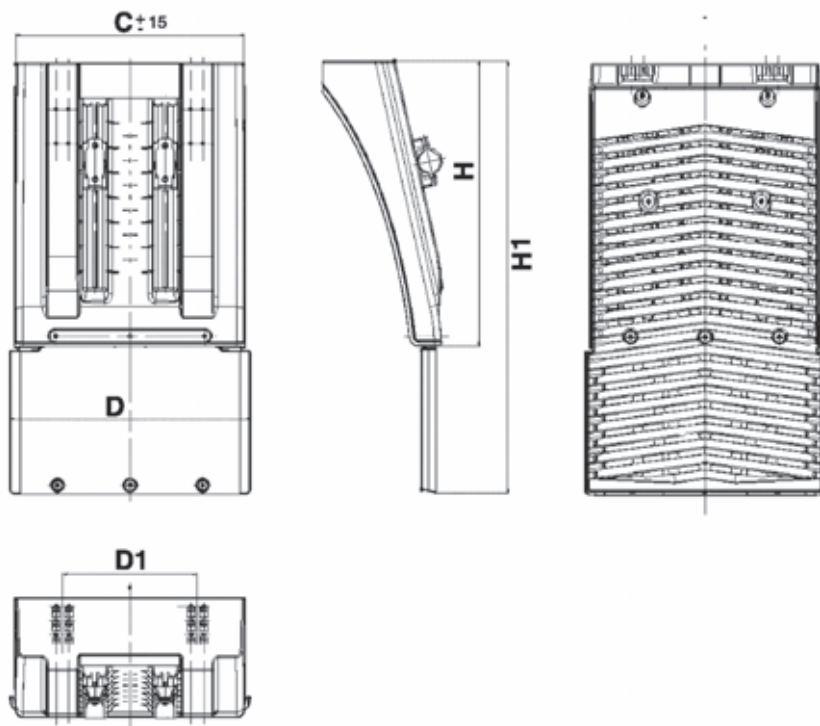
Rif. Covind Covind Ref.	Dimensioni (mm) Dimensions (mm)								Peso Kg. Weight Kg.
	A	B	C	D1	F	G	H	S	
TPS/130	-	-	490	288	-	-	412	-	1,420
TPS/140	-	-	490	288	-	-	608	-	1,975

**TPS/200**



# parafanghi posteriori universali standard rear mudguards

TPS



- **Descrizione del prodotto:**
- Buona flessibilità a bassa temperatura e il comportamento termico di stato (temperatura: -40 ° C a +80 ° C circa) - stabilità UV
- Alta resistenza - Buona resistenza alla trazione e lacerazione.
- **Materiale:** PP-EPDM
- **Colore:** nero
- **Staffe supporto parafango:** integrate, scorrevoli e regolabili.
- 
- Con anti-spray
- **Product Description:**
- Good flexibility at low temperature and behavior thermal state (temperature: -40 ° C to +80 ° C)
- UV-stability - High resistance
- Good tensile strength
- **Material:** PP-EPDM
- **Color:** black
- **Mudguard brackets:** integrated, sliding and adjustable.
- 
- With antispray.

Rif. Covind Covind Ref.

Dimensioni (mm) Dimensions (mm)

Peso Kg. Weight Kg.

	A	B	C	D	D1	F	G	H	H1	S	
TPS/200	-	-	490	514	288	-	-	608	732	-	3,170

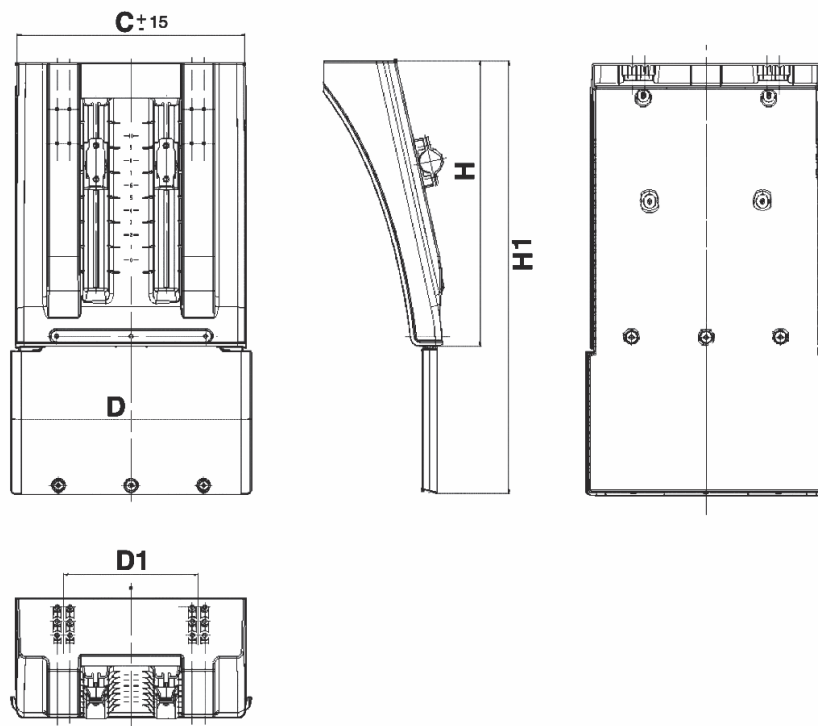
## TPS/210 - TPS/220 - TPS/230



# parafanghi posteriori universali standard rear mudguards

TPS

(\*)  
Applicabile a  
Suitable to  
KHRONE



- **Descrizione del prodotto:**
- Buona flessibilità a bassa temperatura e il comportamento termico di stato (temperatura: -40 ° C a +80 ° C circa) - stabilità UV
- Alta resistenza - Buona resistenza alla trazione e lacerazione.
- **Materiale:** PP-EPDM
- **Colore:** nero
- **Staffe supporto parafango:** -
- Senza anti-spray
- Con supporto anti-spray
- **Product Description:**
- Good flexibility at low temperature and behavior thermal state (temperature: -40 ° C to +80 ° C)
- UV-stability - High resistance
- Good tensile strength
- **Material:** PP-EPDM
- **Color:** black
- **Mudguard brackets:** -
- Without anti-spray
- With anti-spray support

Rif. Covind	Covind Ref.	Dimensioni (mm) Dimensions (mm)										Peso Kg. Weight Kg.
		A	B	C	D	D1	F	G	H	H1	S	
TPS/210 (*)		-	-	490	514	288	-	-	608	825	-	2,340
TPS/220		-	-	490	514	288	-	-	608	918	-	2,420
TPS/230		-	-	490	514	288	-	-	608	984	-	3,950



**PRV/142**



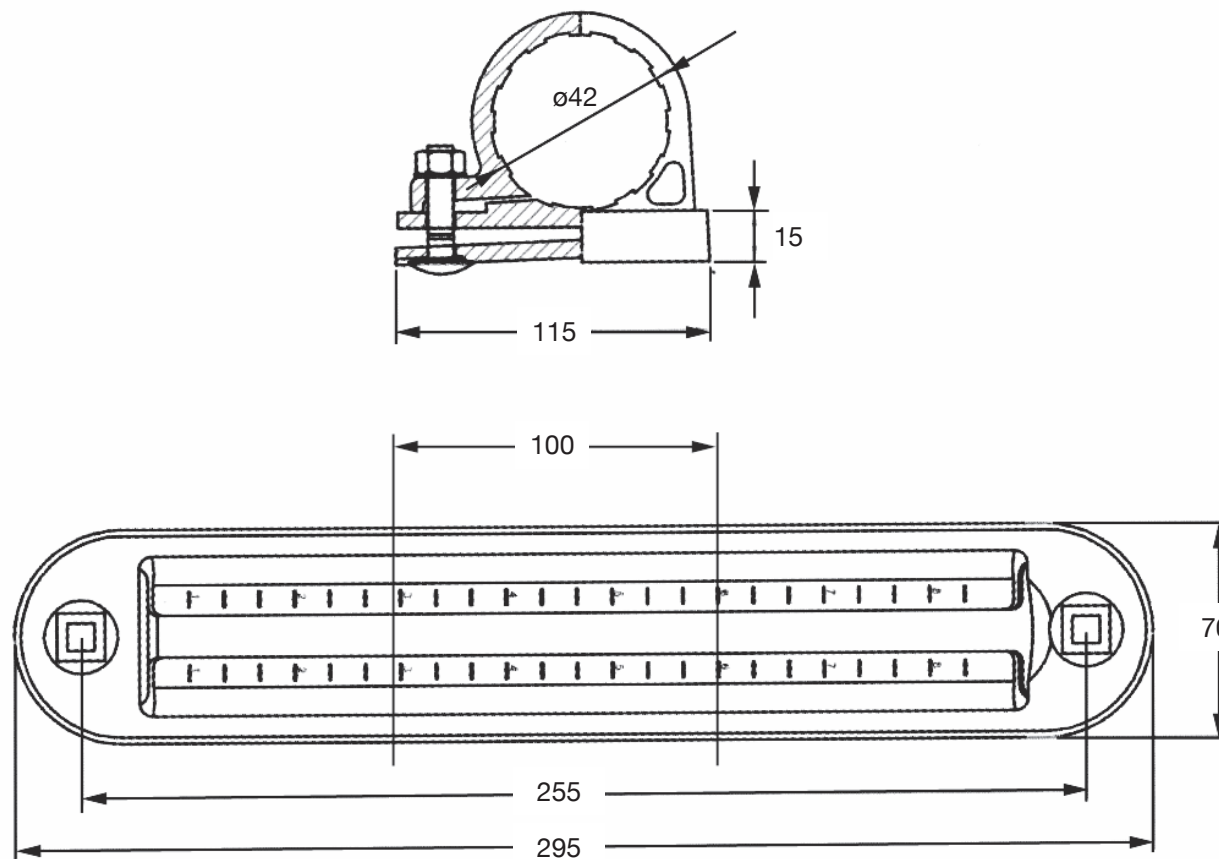
**PRV/142**  
O.E.: -  
destro|sinistro  
peso kg.: 0,275  
colore: nero

**PRV/142**  
O.E.: -  
RH|LH  
weight kg.: 0,275  
color: black



# parafanghi posteriori rear mudguards

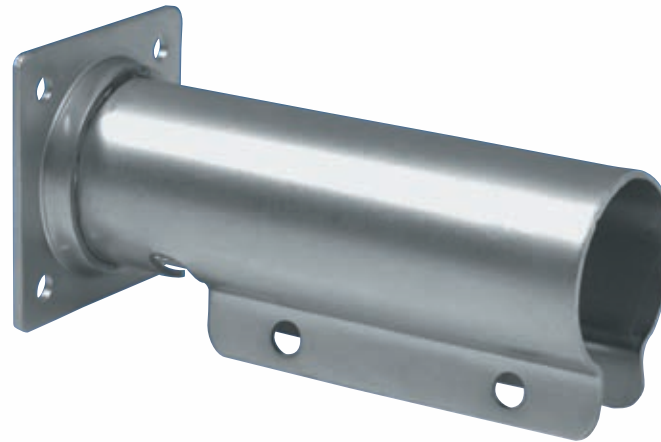
PRV



**PRV/ 42**

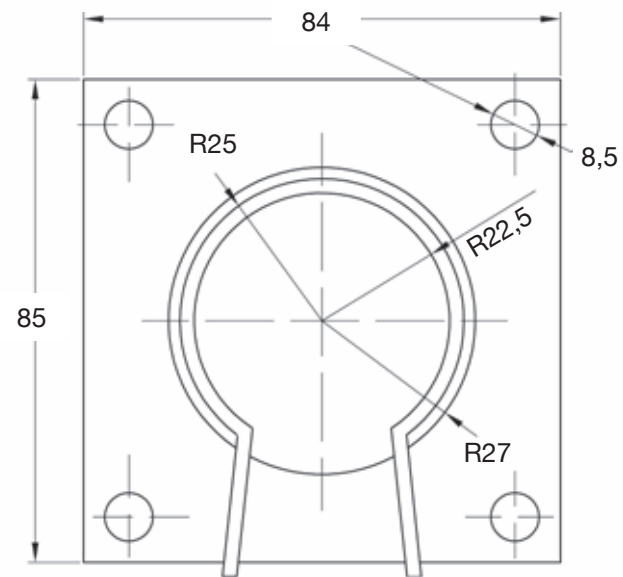
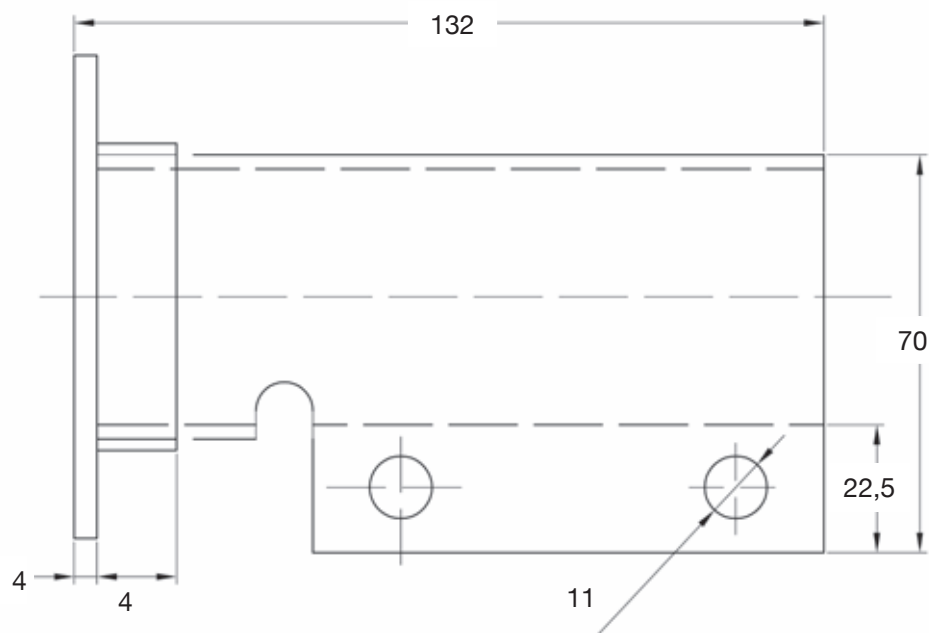
**PRV/ 42**  
O.E.: -  
destro|sinistro  
peso kg.: 0,590  
colore: zincata

**PRV/ 42**  
O.E.: -  
RH|LH  
weight kg.: 0,590  
color: galvanized



# parafanghi posteriori rear mudguards

PRV



## PRV/45 - PRV/50

### PRV/45

O.E.: -  
destro|sinistro  
peso kg.: 3,900  
colore: rosso

### PRV/45

O.E.: -  
RH|LH  
weight kg.: 3,900  
color: red



### PRV/50

O.E.: -  
destro|sinistro  
peso kg.: 0,800  
colore: zincata

### PRV/50

O.E.: -  
RH|LH  
weight kg.: 0,800  
color: galvanized

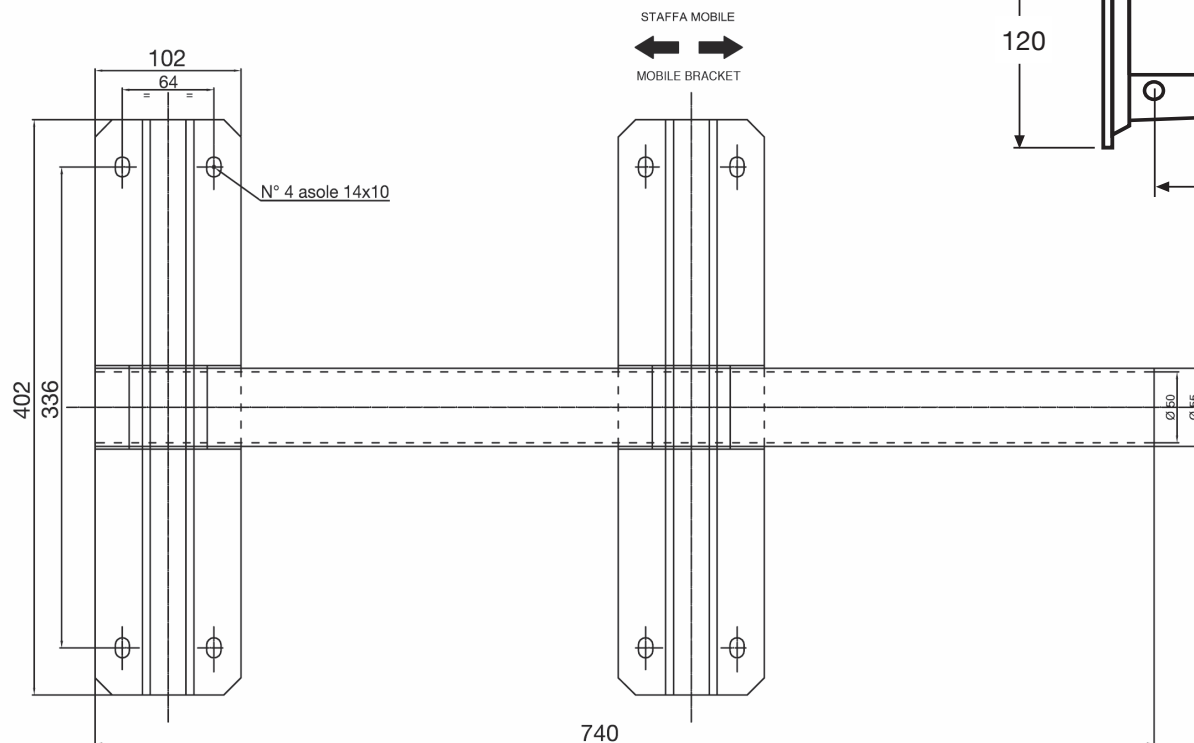




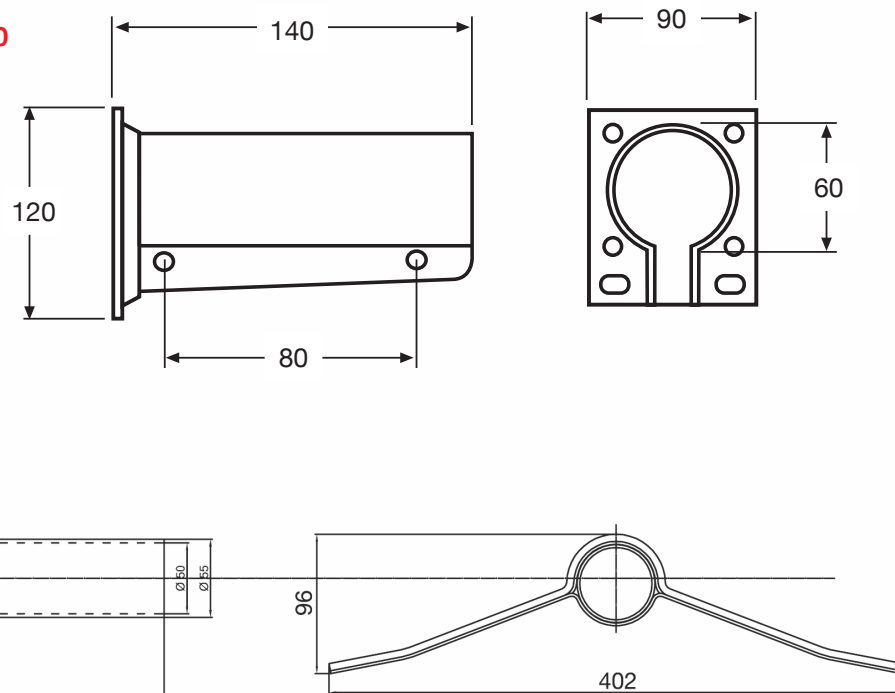
# parafanghi posteriori rear mudguards

PRV

PRV/ 45



PRV/ 50



## PRV/ 55 - PRV/ 60 - PRV/ 65

### PRV/ 55

O.E.: -  
destro|sinistro  
peso kg.: 0,265  
colore: nero

### PRV/ 55

O.E.: -  
RH|LH  
weight kg.: 0,265  
color: black

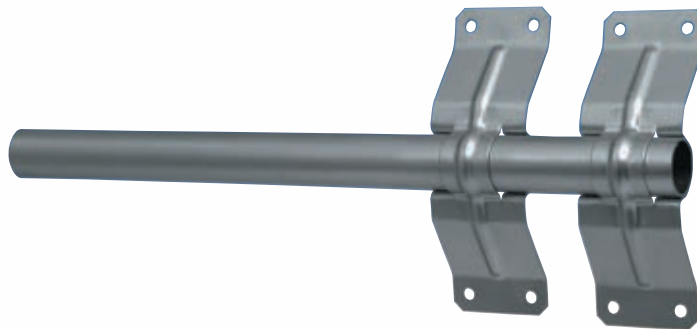


### PRV/ 60

O.E.: -  
destro|sinistro  
peso kg.: 2,160  
colore: zincata

### PRV/ 60

O.E.: -  
RH|LH  
weight kg.: 2,160  
color: galvanized



### PRV/ 65

O.E.: 4766442  
destro|sinistro  
peso kg.: 0,015  
colore: nero

### PRV/ 65

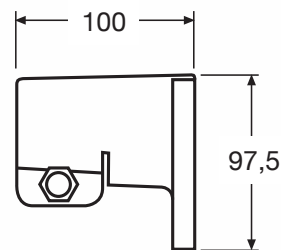
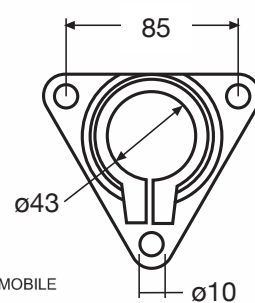
O.E.: 4766442  
RH|LH  
weight kg.: 0,015  
color: black



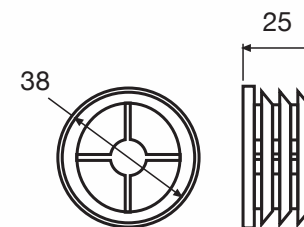
# parafanghi posteriori rear mudguards

PRV

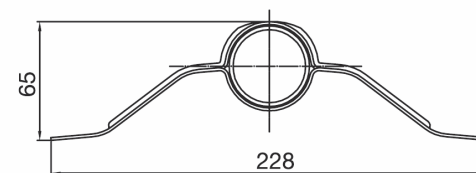
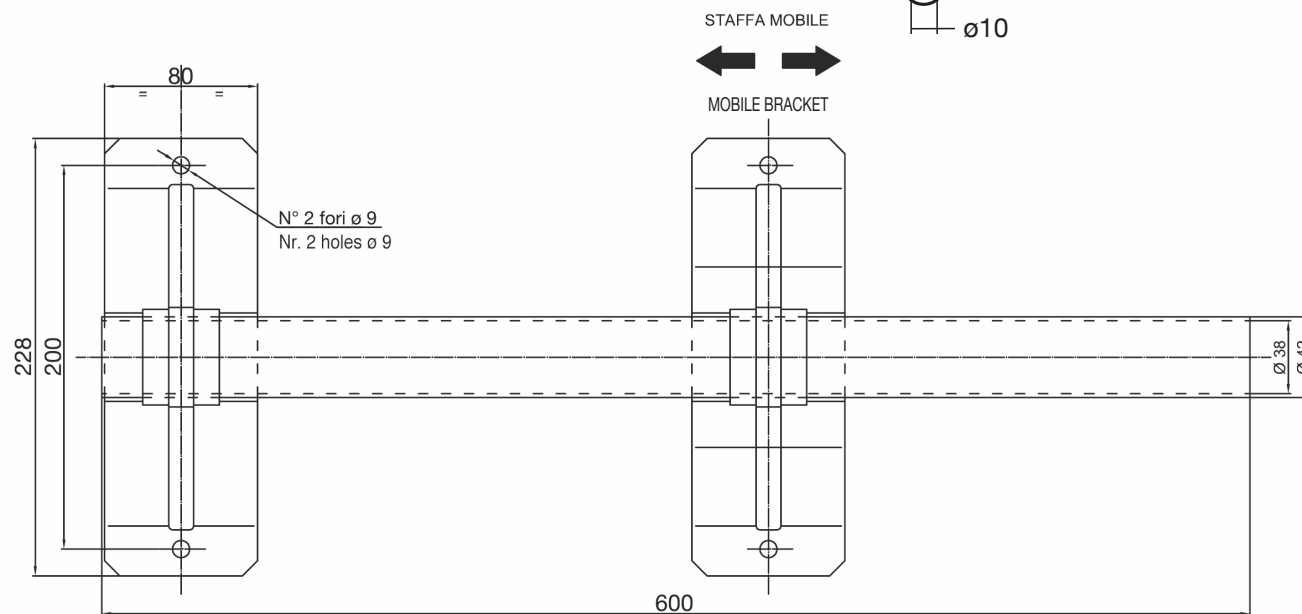
PRV/ 55



PRV/ 65



PRV/ 60



**PRV/140**



**PRV/140**

O.E.:

destro|sinistro

peso kg.: 1,075

colore: nero

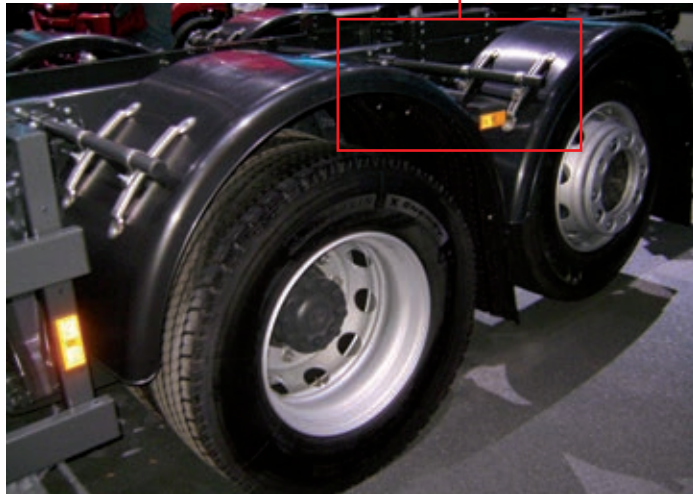
**PRV/140**

O.E.:

RH|LH

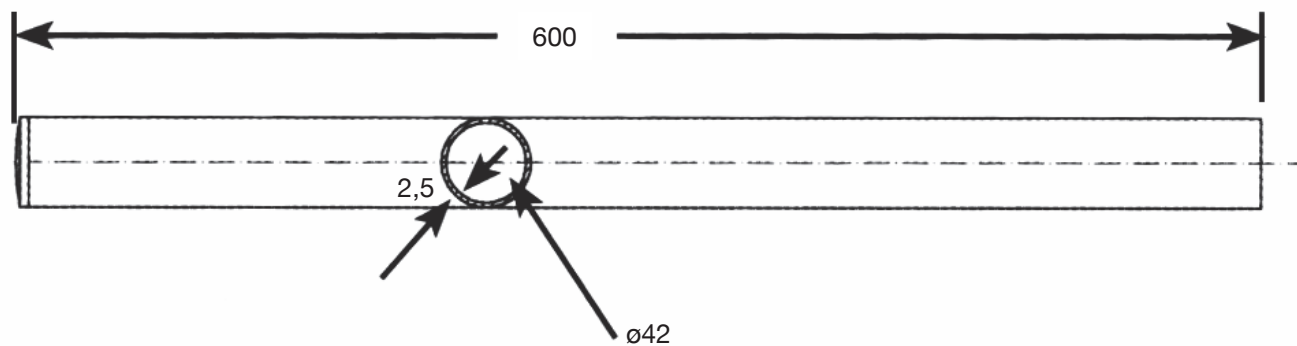
weight kg.: 1,075

color: black



# parafanghi posteriori rear mudguards

PRV





**PRV/150**

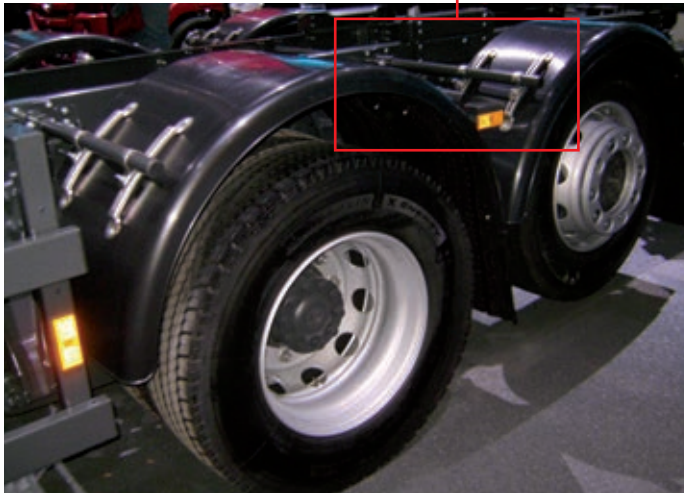


**PRV/150**

O.E.:  
destro|sinistro  
peso kg.: 1,580  
colore: nero

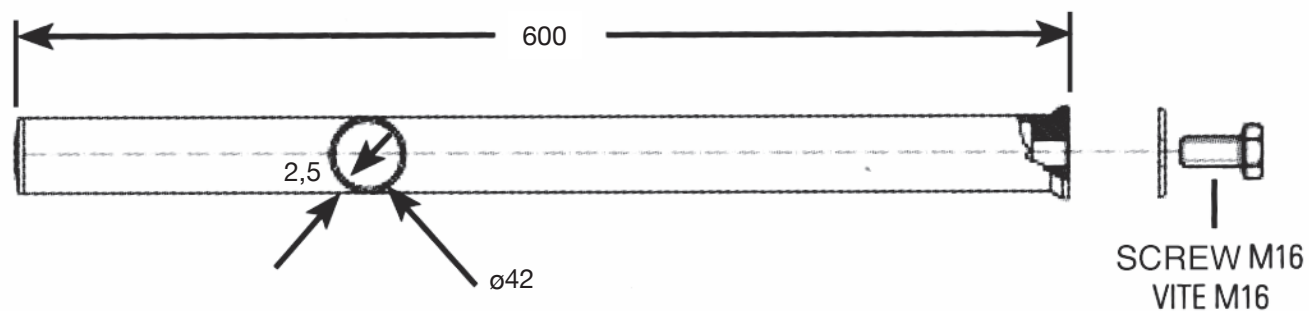
**PRV/150**

O.E.:  
RH|LH  
weight kg.: 1,580  
color: black



# parafanghi posteriori rear mudguards

PRV

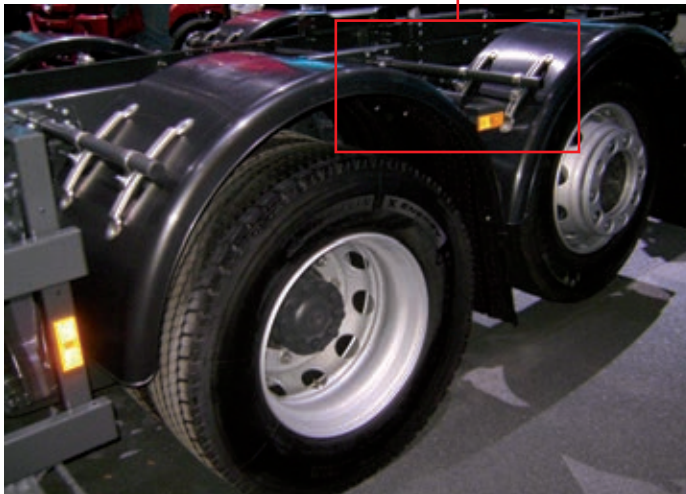


**PRV/160**



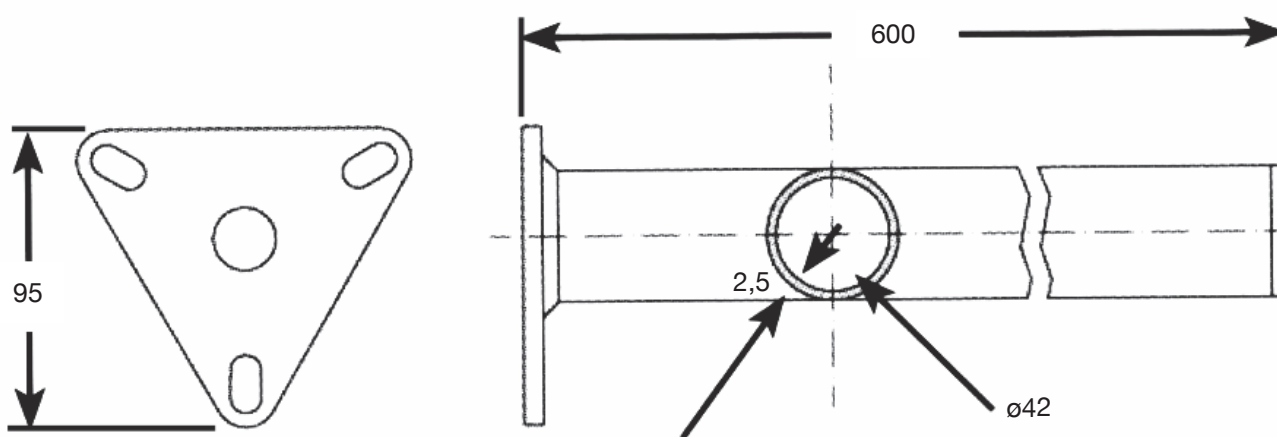
**PRV/160**  
O.E.:  
destro|sinistro  
peso kg.: 1,620  
colore: nero

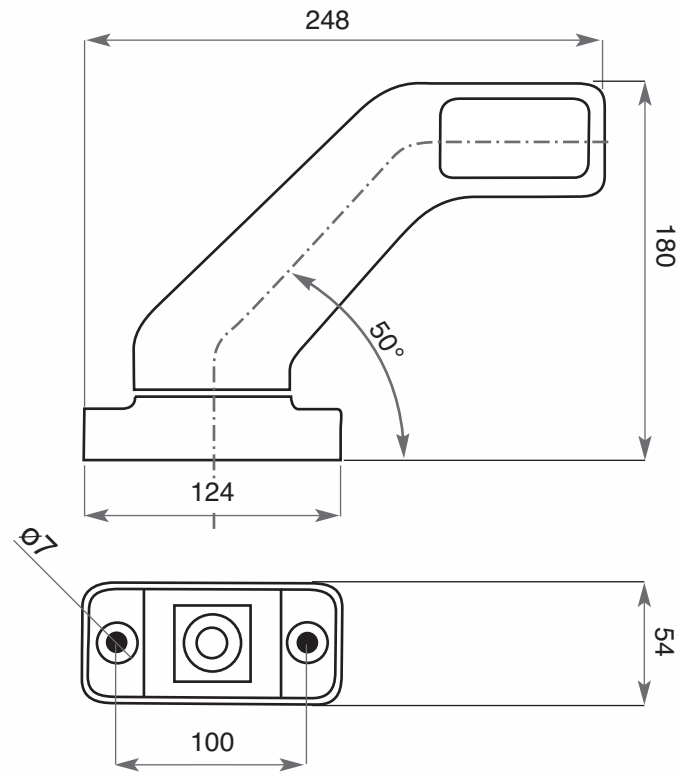
**PRV/160**  
O.E.:  
RH|LH  
weight kg.: 1,620  
color: black



# parafanghi posteriori rear mudguards

PRV





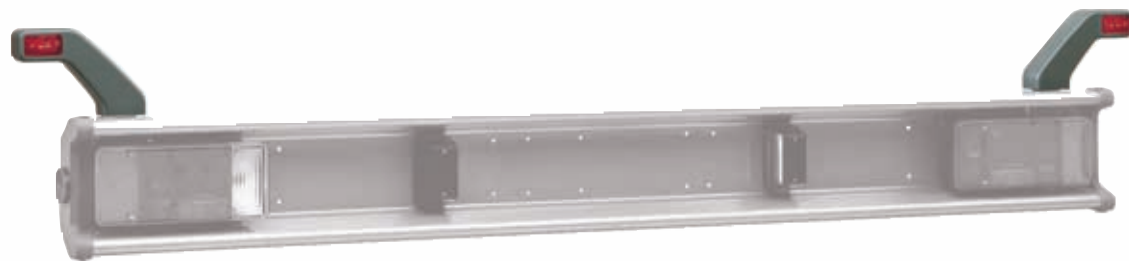
## luci d'ingombro side markers

### Descrizione

- Applicabile su tutti i modelli di barre paraincastro
- Risponde alle normative CEE

### Description

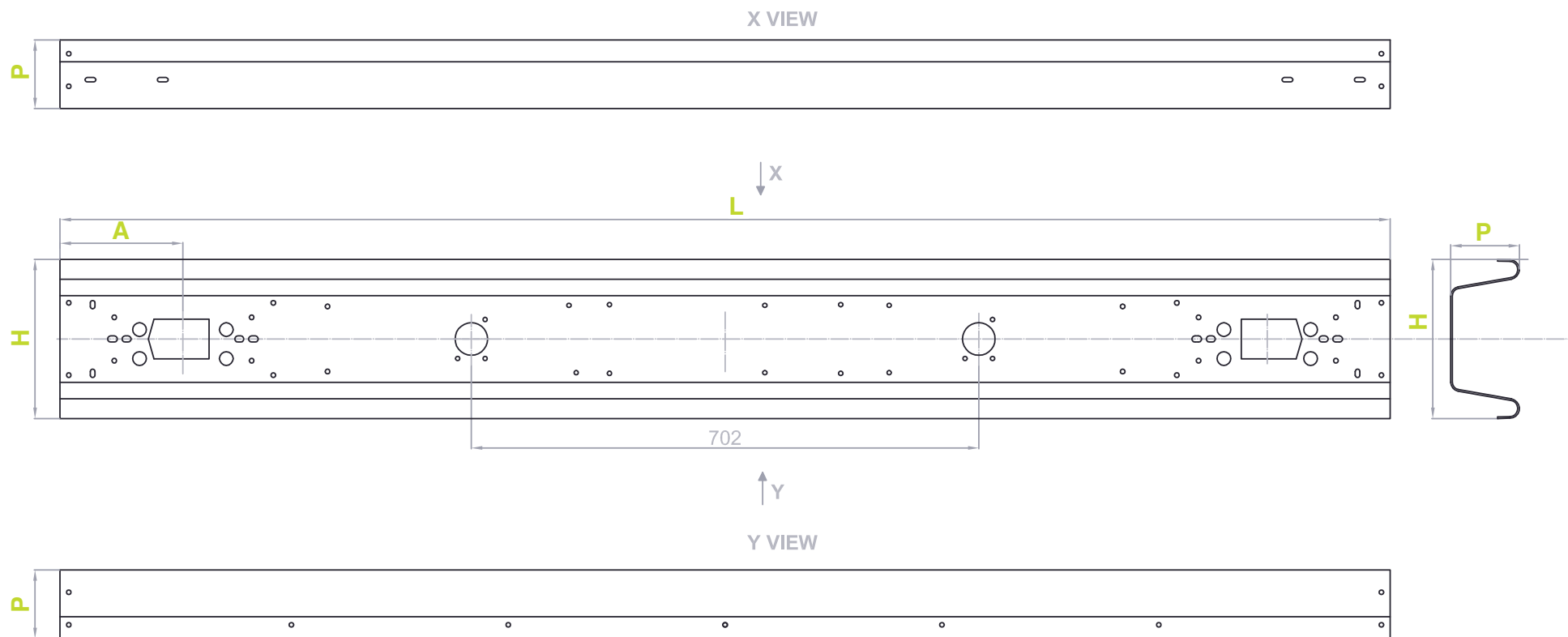
- Fitting all models of rear bumpers
- EC specifications approved (regulations)



Cod. Covind Covind Ref.	O.E.M O.E.M	Versione Version
060/510	99441740	D   RH
060/511	99441739	S   LH



# PRP/250 - PRP/300 - PRP/400 - PRP/500



## barre paraincastro rear bumpers



Dimensioni (mm) Dimension (mm)

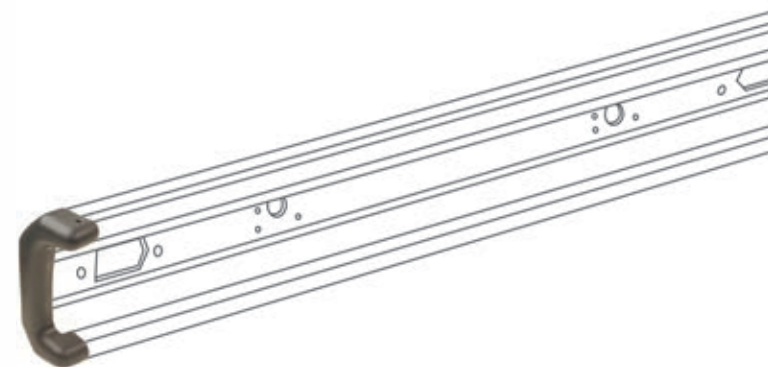
Cod. Covind	Covind Ref.	O.E.M	O.E.M	L	H	P	A
PRP/250		93807247		1800	220	95	170
PRP/300		93807247		1840	220	95	170
PRP/350		8585526		2100	220	95	185
PRP/400		-		2300	220	95	225
PRP/500		-		2400	220	95	280

### Descrizione

- Colore grigio scuro
- Cantonali in plastica nera inclusi (PRP/410)
- Speciali forature consentono l'alloggiamento di molteplici modelli di fanali oltre al porta targa e le relative luci.
- In ferro

### Description

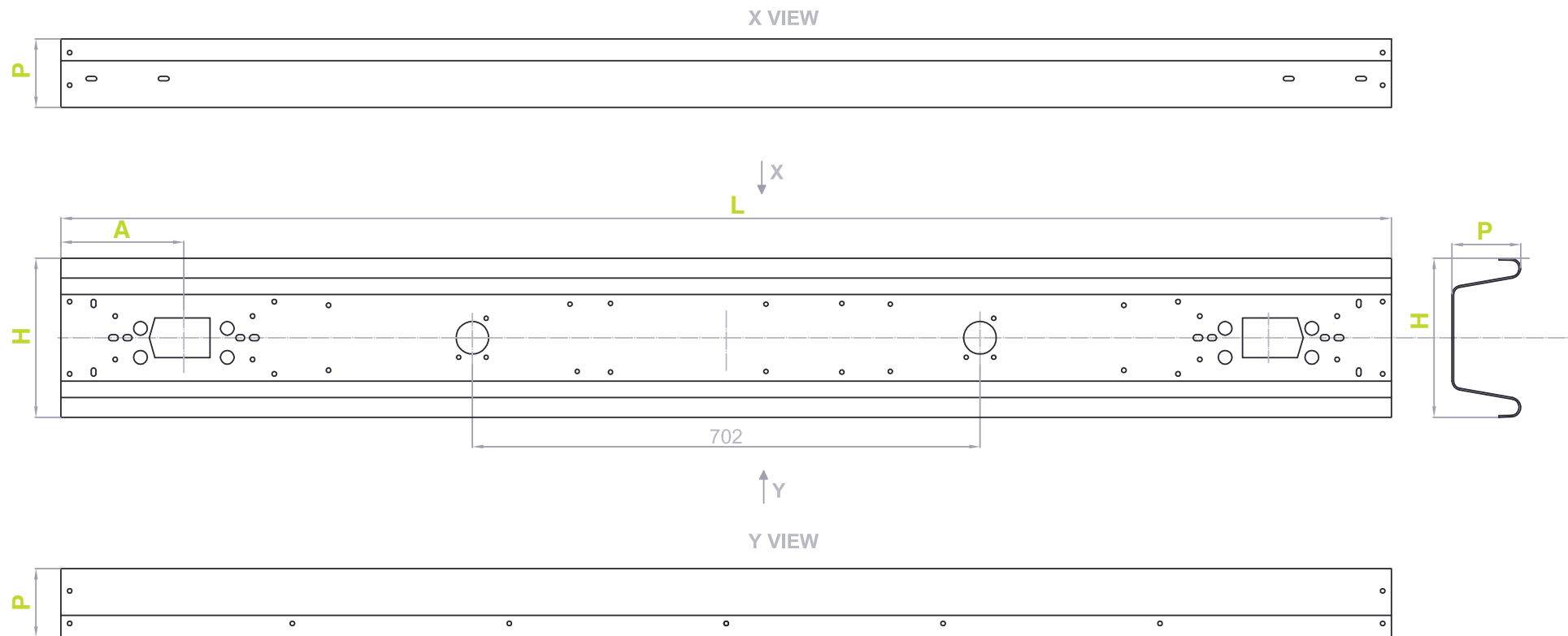
- Dark grey color
- Side bumpers black plastic included (PRP/410)
- Special holes to accomodate all types of head lamps, license plate holder and lights
- Iron



PRP/410. Vedi pg. 427-PRP/410. Page 427

con cantonali with side bumpers

PRP/214



## barre paraincastro rear bumpers



Dimensioni (mm) Dimension (mm)

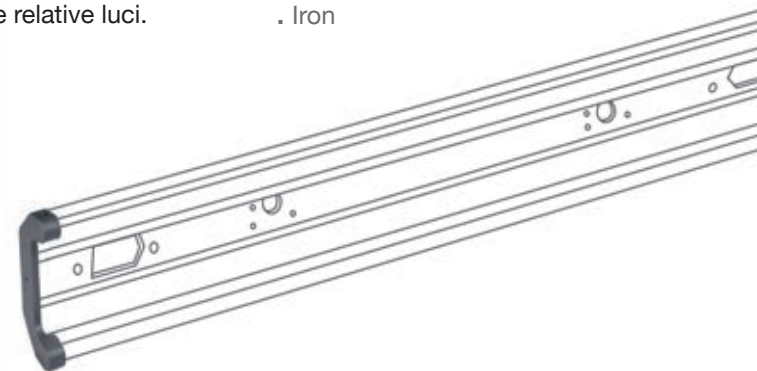
Cod. Covind	Covind Ref.	O.E.M	O.E.M	L	H	P	A
PRP/214		500315032		2100	214	90	205

### Descrizione

- Colore grigio scuro
- Cantonali in plastica nera inclusi (PRP/415)
- Speciali forature consentono l'alloggiamento di molteplici modelli di fanali oltre al porta targa e le relative luci.
- In ferro

### Description

- Dark grey color
- Side bumpers black plastic included (PRP/415)
- Special holes to accomodate all types of head lamps, license plate holder and lights
- Iron

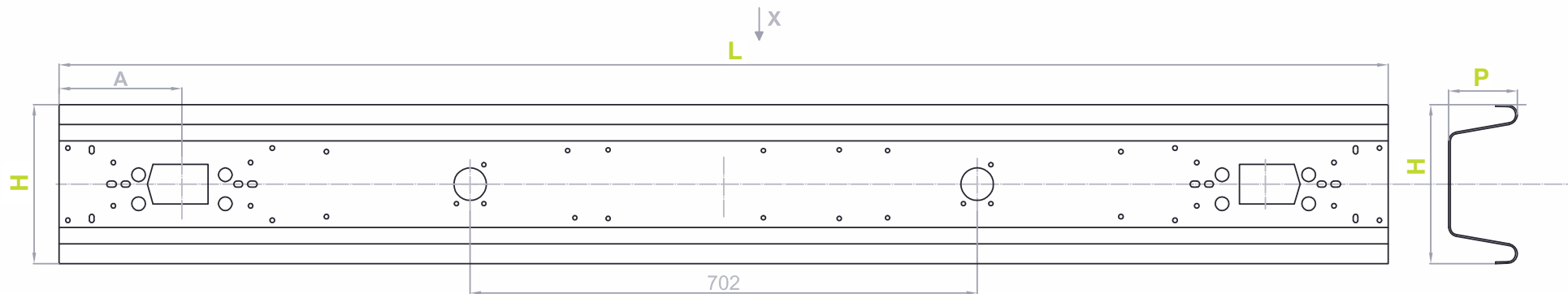


PRP/415. Vedi pg. 429-PRP/415. Page 429

con staffe saldate with welded on brackets

# PRP/510 - PRP/520 - PRP/530 - PRP/540 - PRP/550

X VIEW



Y VIEW



## barre paraincastro rear bumpers



Dimensioni (mm) Dimension (mm)

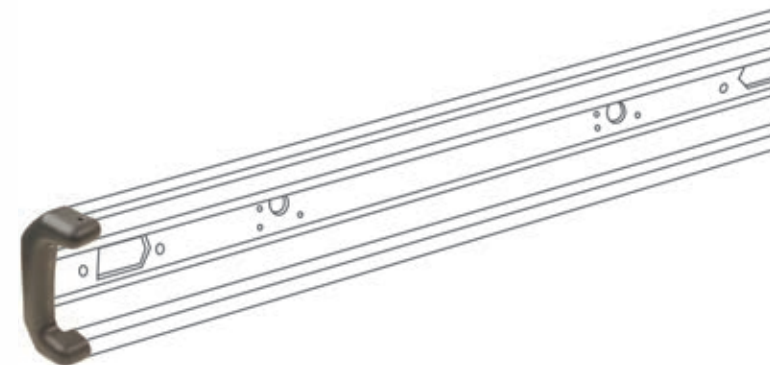
Cod. Covind	Covind Ref.	O.E.M	O.E.M	L	H	P	A
PRP/510		93807247		1800	220	95	170
PRP/520		93807247		1950	220	95	170
PRP/530		8585526		2100	220	95	185
PRP/540		-		2300	220	95	225
PRP/550		-		2400	220	95	280

### Descrizione

- Colore grigio scuro
- Cantonali in plastica nera inclusi (PRP/410)
- Speciali forature consentono l'alloggiamento di molteplici modelli di fanali oltre al porta targa e le relative luci.
- In ferro

### Description

- Dark grey color
- Side bumpers black plastic included (PRP/410)
- Special holes to accomodate all types of head lamps, license plate holder and lights
- Iron

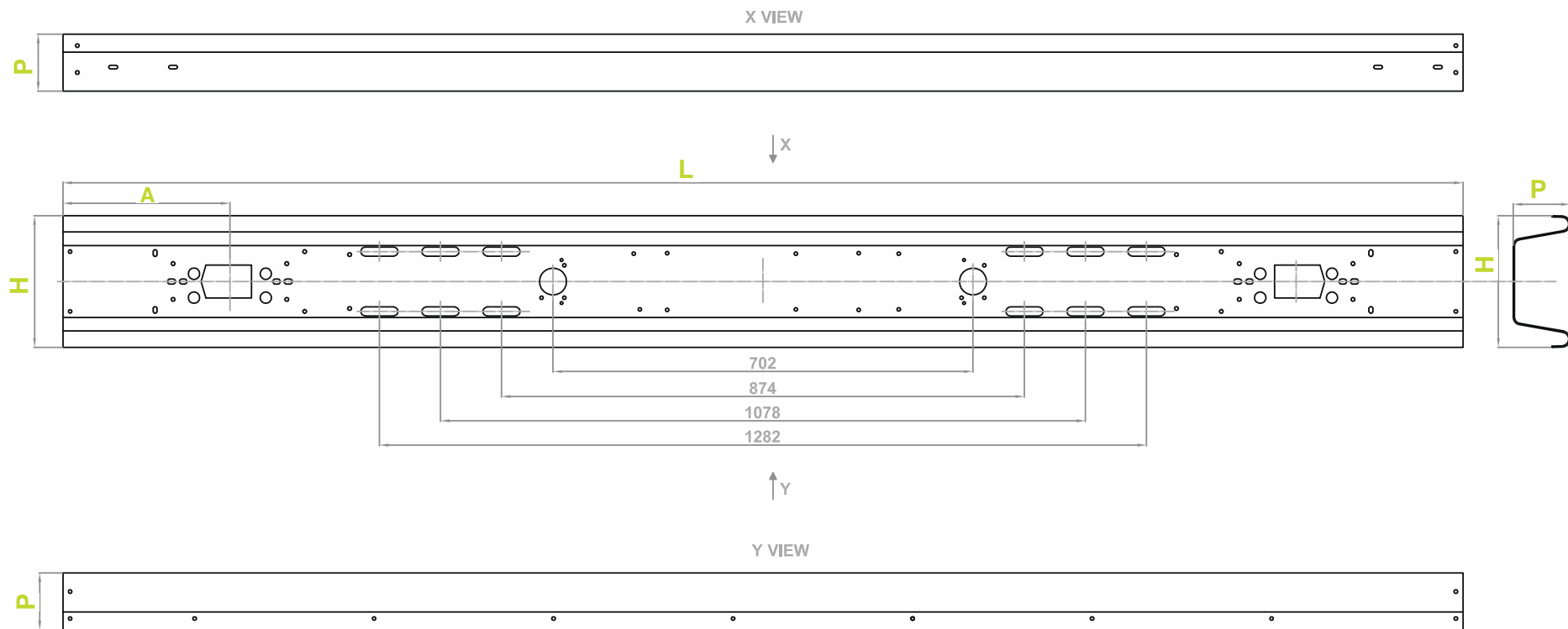


PRP/410. Vedi pg. 427-PRP/410. Page 427

con cantonali with side bumpers



PRP/565



## barre paraincastro rear bumpers

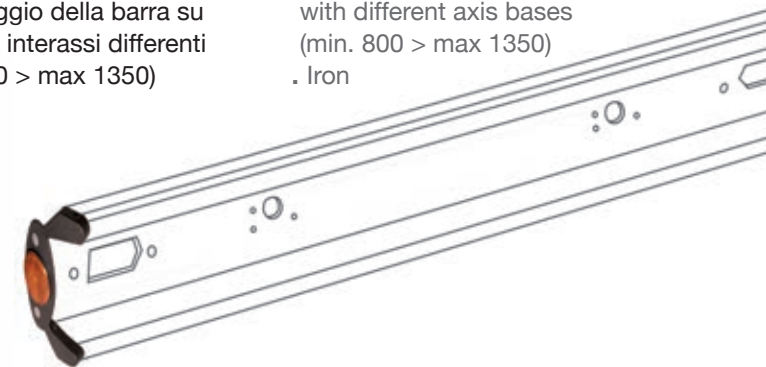


### Descrizione

- Colore bianco (RAL 9003)
- Cantonale in plastica nera con catadiotro incluso (PRP/470)
- Speciali forature consentono l'alloggiamento di molteplici modelli di fanali oltre al porta targa e le relative luci.
- Una serie di asole consentono il montaggio della barra su telai con interassi differenti (min. 800 > max 1350)
- In ferro

### Description

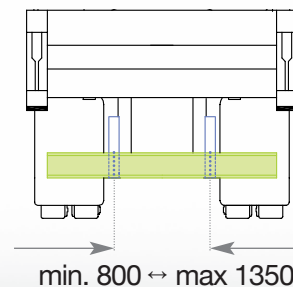
- White color (RAL 9003)
- Black plastic side bumpers with reflector (PRP/470)
- Special holes to accommodate all types of head lamps, license plate holder and lights
- Some slots permit the rear bumper assembling on chassis with different axis bases (min. 800 > max 1350)
- Iron



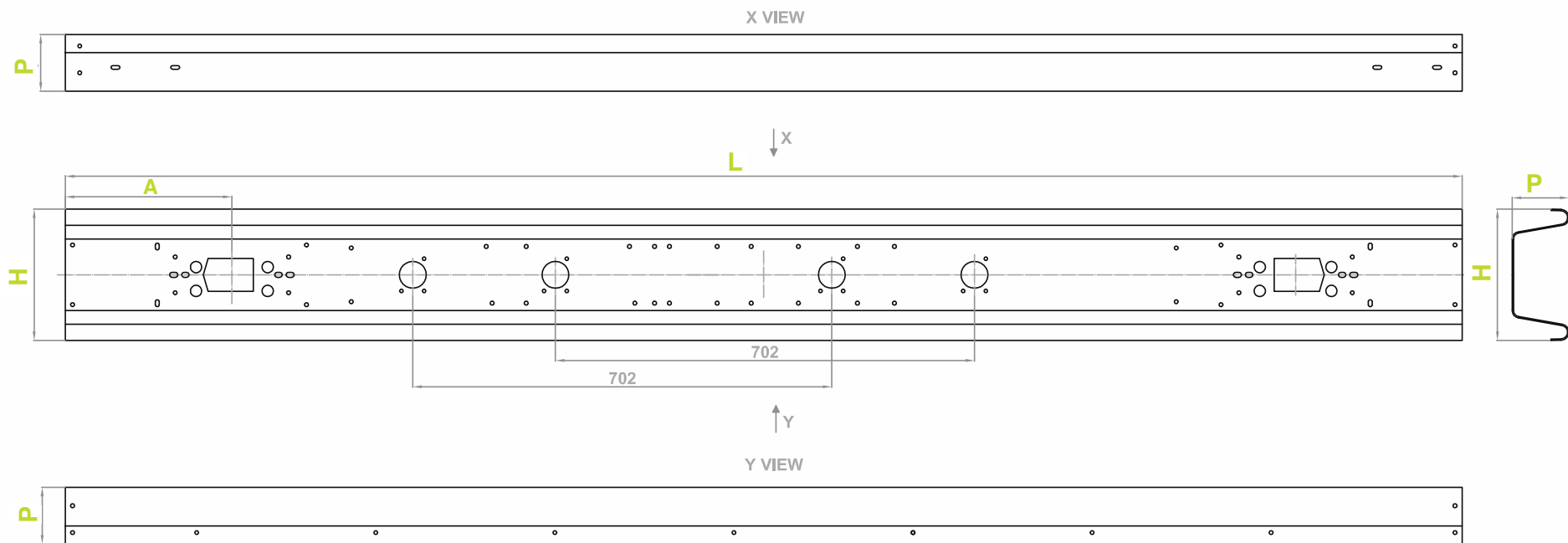
Dimensioni (mm) Dimension (mm)

Cod. Covind	Covind Ref.	O.E.M	O.E.M	L	H	P	A
PRP/565		-		2400	255	105	280

PRP/470. Vedi pg. 435-PRP/470. Page 435



PRP/700



## barre paraincastro rear bumpers

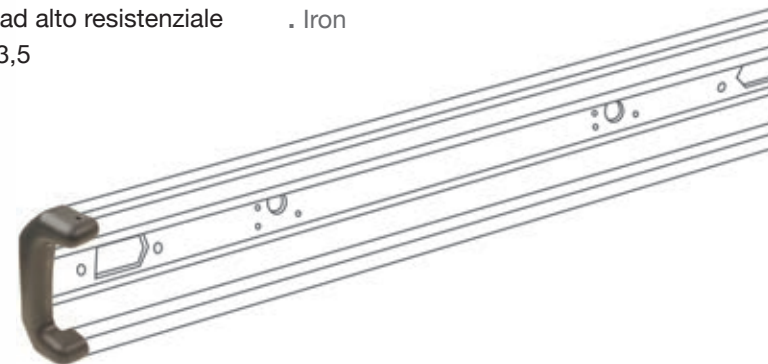


### Descrizione

- . Colore grigio scuro
- . Cantonali in plastica nera inclusi (PRP/410)
- . Speciali forature consentono l'alloggiamento di molteplici modelli di fanali oltre al porta targa e le relative luci.
- . Acciaio ad alto resistenziale da mm 3,5
- . In ferro

### Description

- . Dark grey color
- . Side bumpers black plastic included (PRP/410)
- . Special holes to accomodate all types of head lamps, license plate holder and lights
- . High tensile steel mm 3,5
- . Iron



### Dimensioni (mm) Dimension (mm)

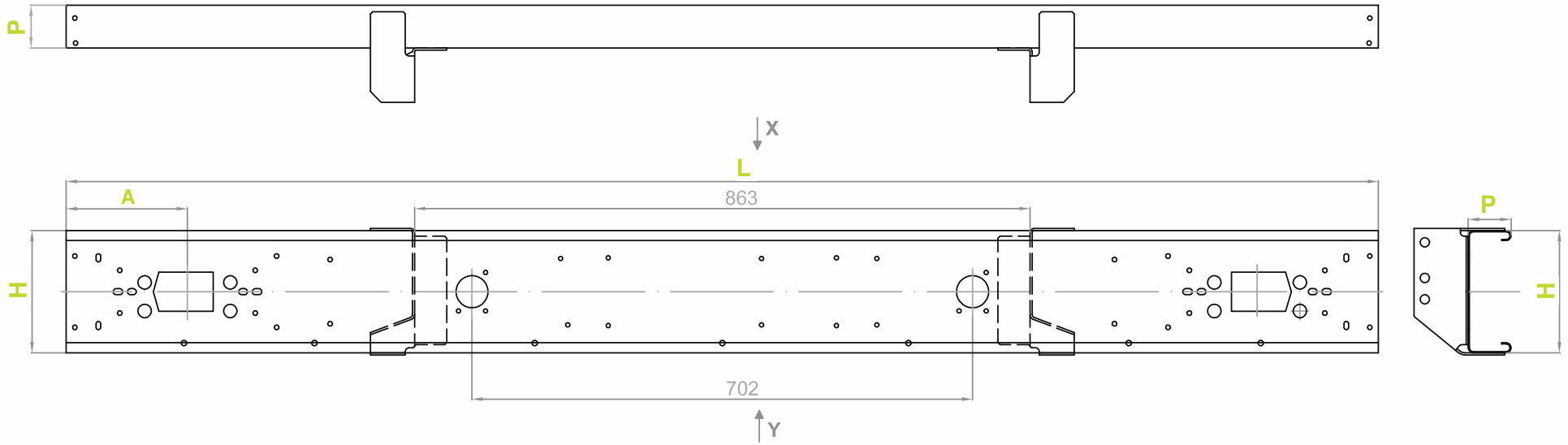
Cod. Covind	Covind Ref.	O.E.M	O.E.M	L	H	P	A	Peso Kg.	Weight Kg.
PRP/700		-		2400	220	95	280	40,000	

PRP/410. Vedi pg. 427-PRP/410. Page 427

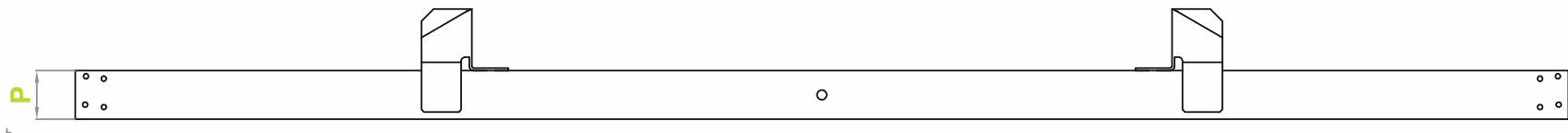
con cantonali with side bumpers

C39/930

X VIEW



Y VIEW



## barre paraincastro rear bumpers



### Descrizione

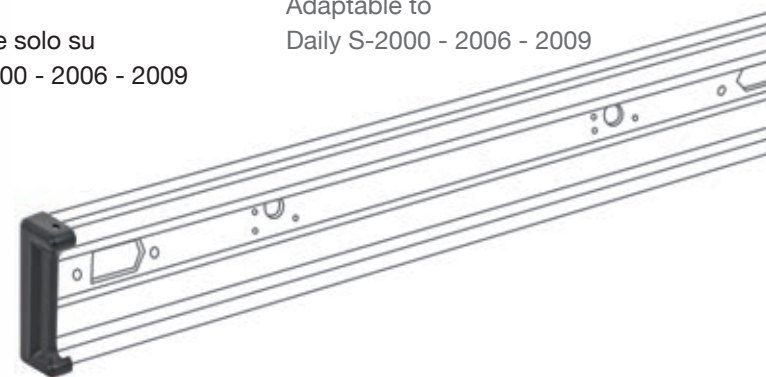
- . Colore grigio scuro
- . Cantonali in plastica nera inclusi C39/410)
- . Speciali forature consentono l'alloggiamento di molteplici modelli di fanali oltre al porta targa e le relative luci.
- . Staffe di ancoraggio saldate
- . In ferro

Adattabile solo su  
Daily S2000 - 2006 - 2009

### Description

- . Dark grey color
- . Side bumpers black plastic included (C39/410)
- . Special holes to accomodate all types of head lamps, license plate holder and lights
- . Brackets included

. Iron  
Adaptable to  
Daily S-2000 - 2006 - 2009



C39/410. Vedi pg. 437-C39/410. Page 437

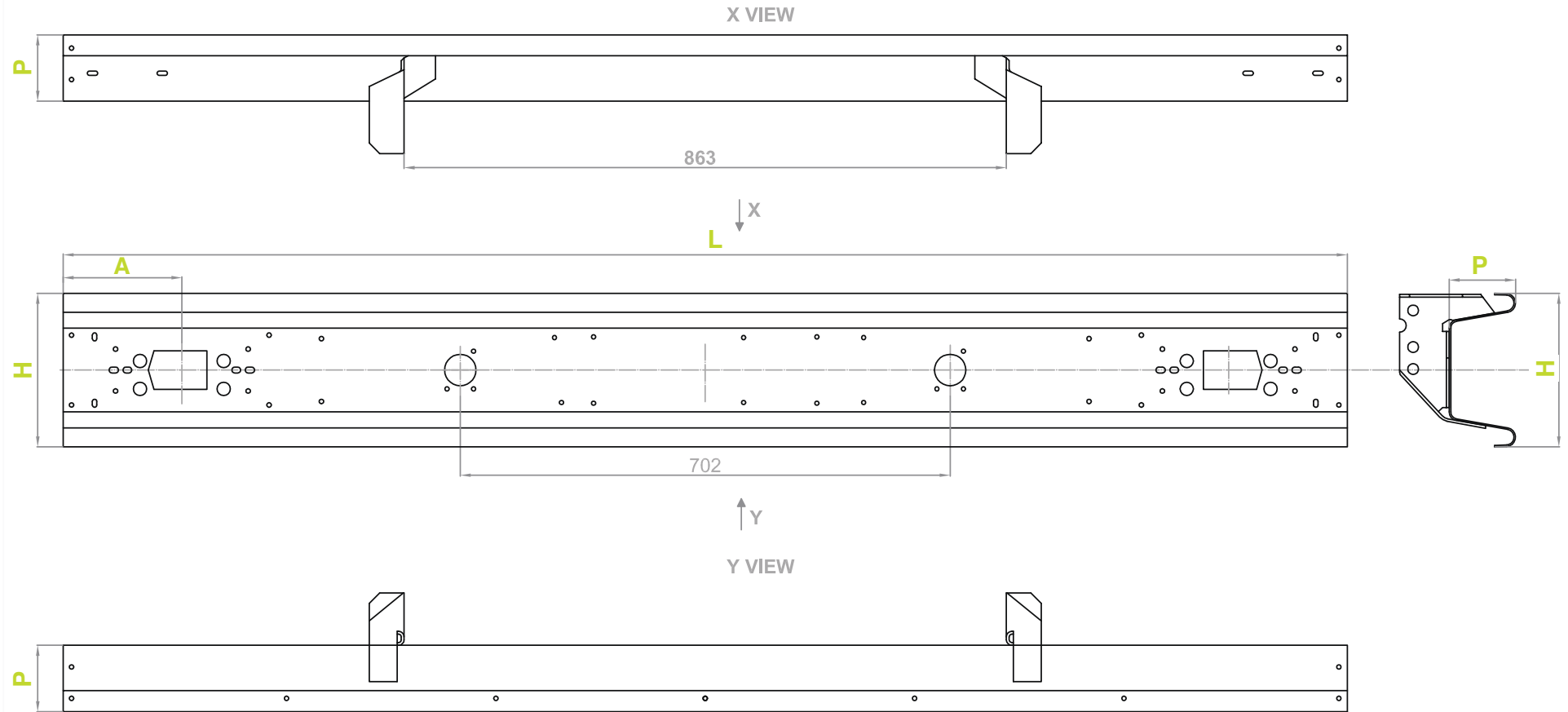
### Dimensioni (mm) Dimension (mm)

Cod. Covind	Covind Ref.	O.E.M	O.E.M	L	H	P	A
C39/930		500326870		1865	180	60	170

con staffe saldate with welded on brackets



PRP/920



## barre paraincastro rear bumpers



Dimensioni (mm) Dimension (mm)

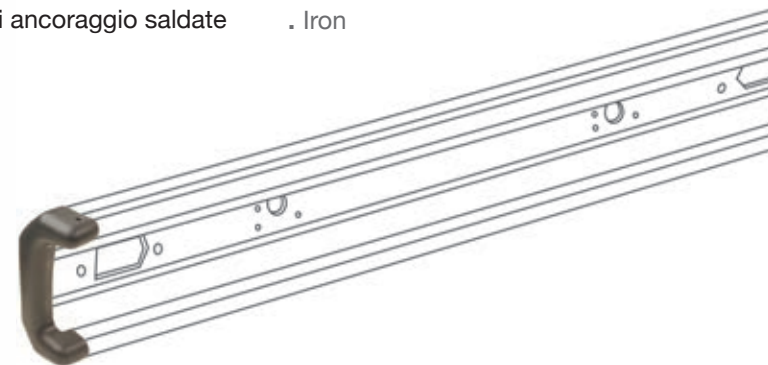
Cod. Covind	Covind Ref.	O.E.M	O.E.M	L	H	P	A
PRP/920		93807247		1840	220	95	170

### Descrizione

- Colore grigio scuro
- Cantonali in plastica nera inclusi (PRP/410)
- Speciali forature consentono l'alloggiamento di molteplici modelli di fanali oltre al porta targa e le relative luci.
- Staffe di ancoraggio saldate
- In ferro

### Description

- Dark grey color
- Side bumpers black plastic included (PRP/410)
- Special holes to accomodate all types of head lamps, license plate holder and lights
- Brackets included
- Iron

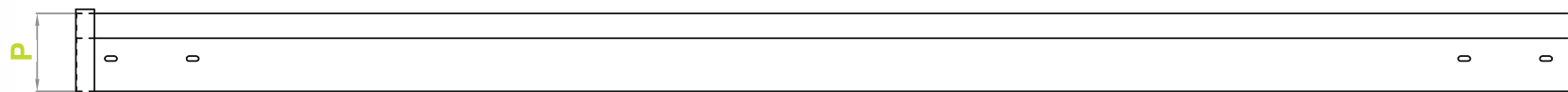


PRP/410. Vedi pg. 427-PRP/410. Page 427

con staffe saldate with welded on brackets

150/165 - 150/180 - 150/185 - PRP/200 - PRP/205

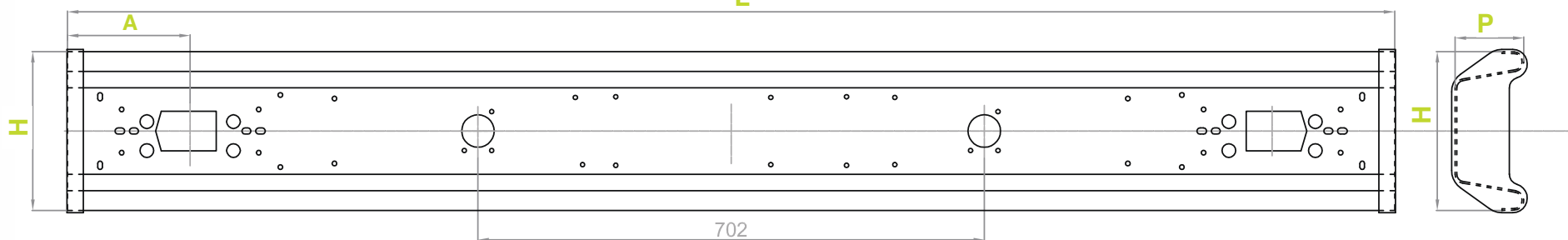
X VIEW



L

X

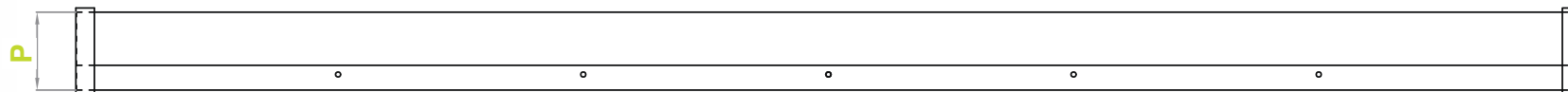
↓



Y

↑

Y VIEW



## barre paraincastro rear bumpers



### Descrizione

- . Colore rosso telaio
- . Cantonali in ferro saldati
- . Speciali forature consentono l'alloggiamento di molteplici modelli di fanali oltre al porta targa e le relative luci.
- . In ferro

### Description

- . Dark grey color
- . Iron side bumpers welded
- . Side bumpers black plastic
- . Special holes to accommodate all types of head lamps, license plate holder and lights
- . Iron

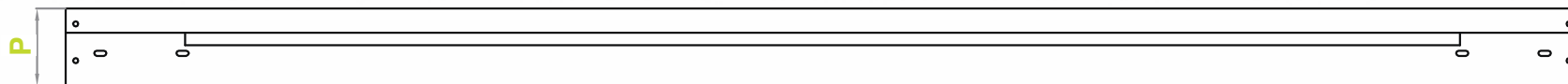
### Dimensioni (mm) Dimension (mm)

Cod. Covind	Covind Ref.	O.E.M	O.E.M	L	H	P	A
150/165		150038165		2050	220	95	180
150/180		8585526		2100	220	95	205
150/185		8585526		1950	220	95	215
PRP/200		4766630		2300	220	95	245
PRP/205		-		2400	220	95	295

con cantonali saldati with welded corners

PRP/555

X VIEW



X

B

L

A

H

200

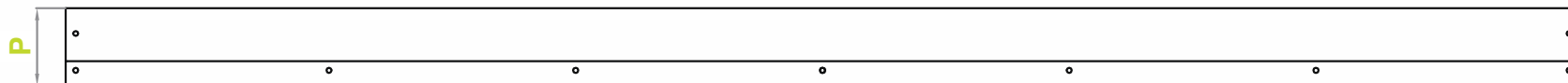
H

P

702

Y

Y VIEW



## barre paraincastro rear bumpers

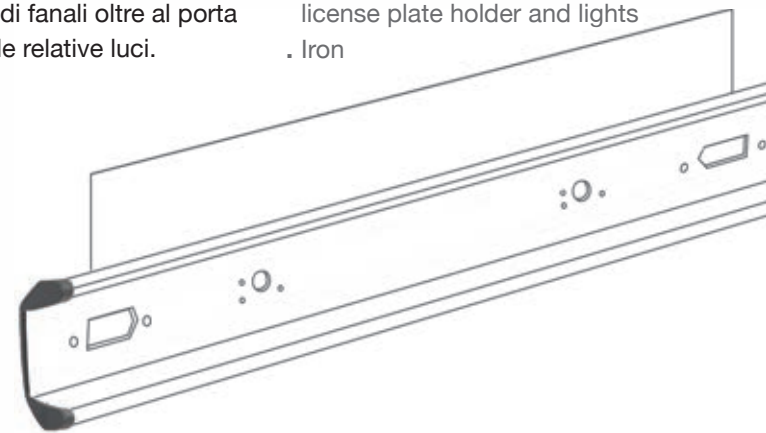


### Descrizione

- Colore bianco (RAL 9003)
- Cantonali in plastica nera inclusi (PRP/425)
- Con alzatina
- Speciali forature consentono l'alloggiamento di molteplici modelli di fanali oltre al porta targa e le relative luci.
- In ferro

### Description

- White color (RAL 9003)
- Side bumpers black plastic included (PRP/425)
- With panel
- Special holes to accomodate all types of head lamps, license plate holder and lights
- Iron



Dimensioni (mm) Dimension (mm)

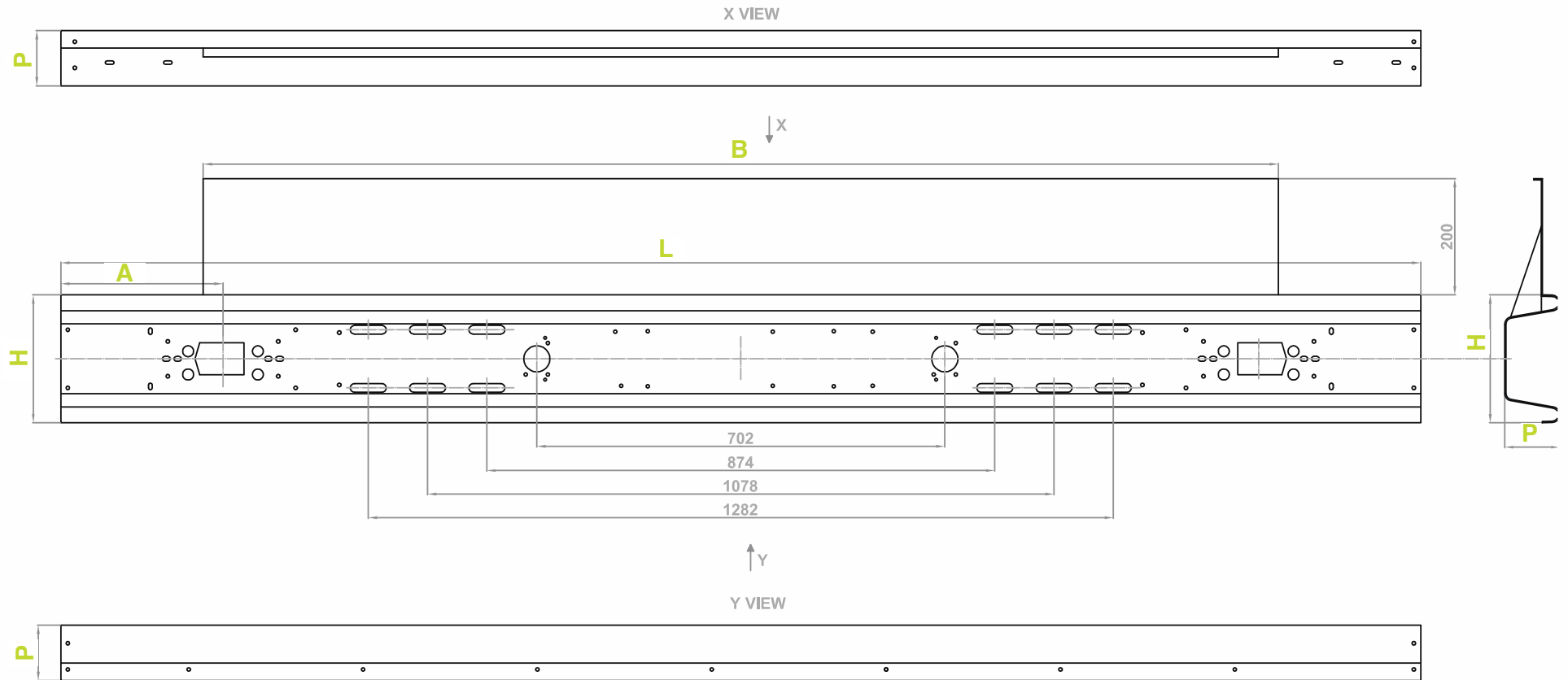
Cod. Covind	Covind Ref.	O.E.M	O.E.M	L	H	P	A	B
PRP/555		-		2400	220	95	280	2070

PRP/425. Vedi pg. 431-PRP/425. Page 431

con alzatina with small lift



PRP/575



# barre paraincastro rear bumpers

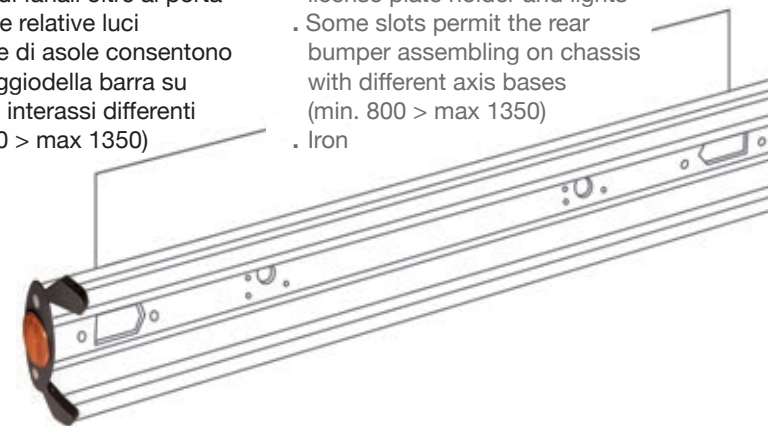


## Descrizione

- Colore bianco (RAL 9003)
- Cantoneri in plastica nera con catadiotri inclusi (PRP/470)
- Con alzatina
- Speciali forature consentono l'alloggiamento di molteplici modelli di fanali oltre al porta targa e le relative luci
- Una serie di asole consentono il montaggio della barra su telai con interassi differenti (min. 800 > max 1350)
- In ferro

## Description

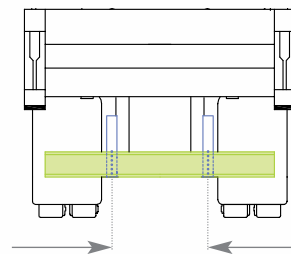
- White color (RAL 9003)
- Black plastic side bumpers with reflector (PRP/470)
- With panel
- Special holes to accommodate all types of head lamps, license plate holder and lights
- Some slots permit the rear bumper assembling on chassis with different axis bases (min. 800 > max 1350)
- Iron



## Dimensioni (mm) Dimension (mm)

Cod. Covind	Covind Ref.	O.E.M	O.E.M	L	H	P	A	B
PRP/575		-		2400	250	105	280	2070

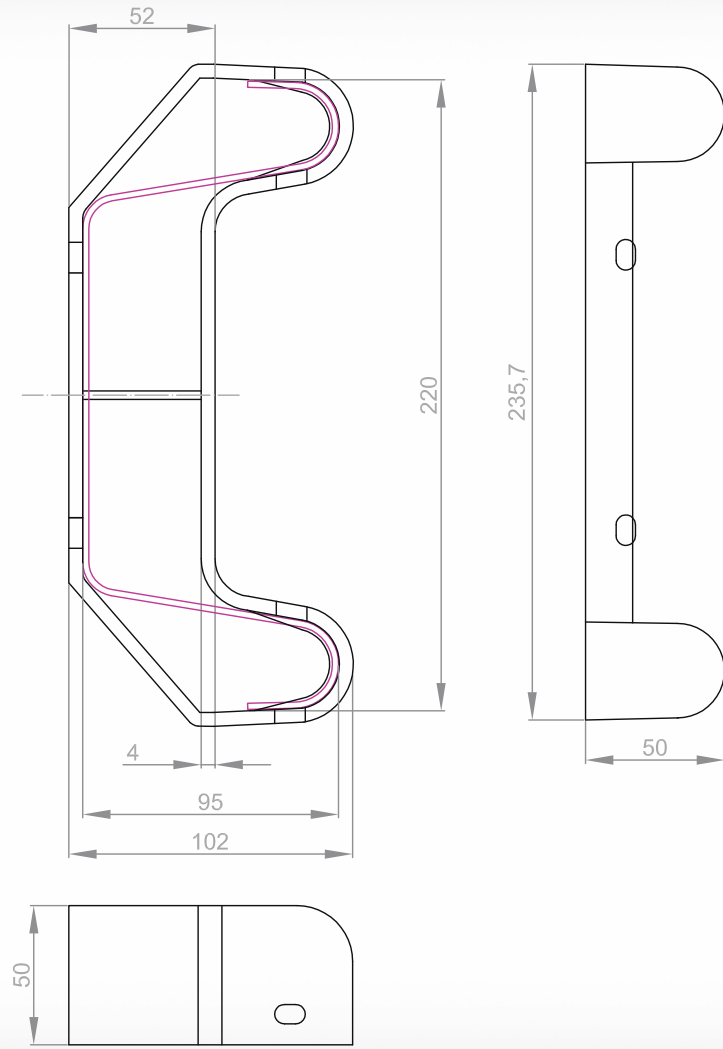
PRP/470. Vedi pg. 435-PRP/470. Page 435



min. 800 ↔ max 1350

con alzatina with small lift

PRP/410





### Descrizione

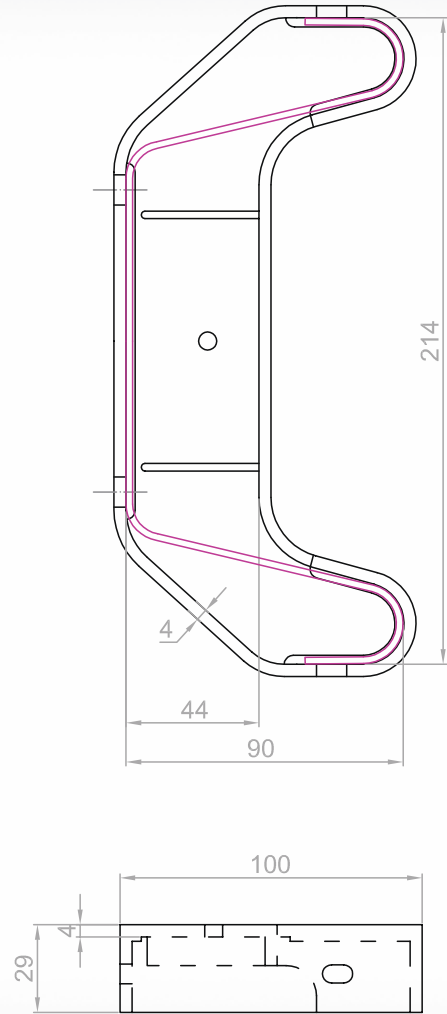
- . Colore nero
- . Materiale: polipropilene (PP)
- . Bottoni di fissaggio inclusi
- . Per barre alte (H) 220

### Description

- . Black color
- . Material: polypropylene (PP)
- . Fixing studs included
- . For rear bumpers 220 high (H)

Cod. Covind	Covind Ref.	O.E.M	O.E.M	Peso Kg.	Weight Kg.
<b>PRP/410</b>		8585455		0,135	

PRP/415





## Descrizione

- . Colore grigio scuro
- . Materiale: polipropilene (PP)
- . Bottoni di fissaggio inclusi
- . Per barre alte (H) 214

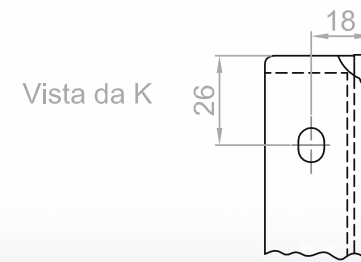
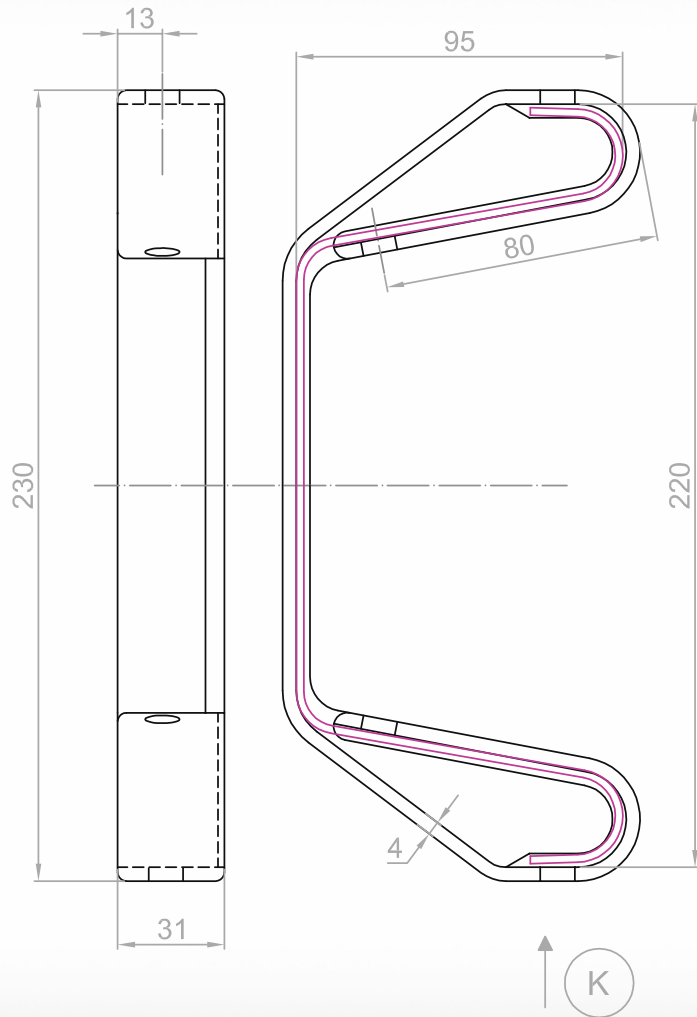
## Description

- . Dark grey color
- . Material: polypropylene (PP)
- . Fixing studs included
- . For rear bumpers 214 high (H)

<b>Cod. Covind</b> Covind Ref.	<b>O.E.M</b> O.E.M	<b>Peso Kg.</b> Weight Kg.
<b>PRP/415</b>	500314540	0,095
	500351290	



PRP/425





## Descrizione

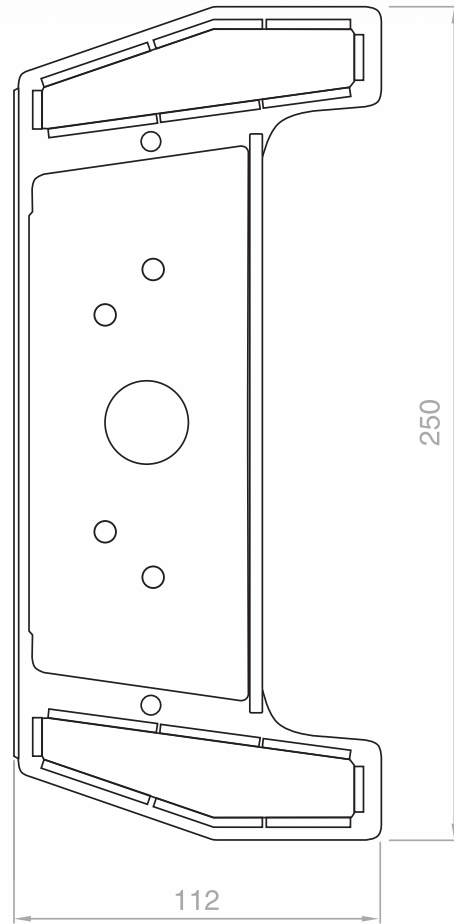
- . Colore grigio scuro
- . Materiale: polipropilene (PP)
- . Bottoni di fissaggio inclusi
- . Per barre alte (H) 220

## Description

- . Dark grey color
- . Material: polypropylene (PP)
- . Fixing studs included
- . For rear bumpers 220 high (H)

Cod. Covind Covind Ref.	O.E.M O.E.M	Peso Kg. Weight Kg.
<b>PRP/425</b>	500339703	0,105

PRP/440





### Descrizione

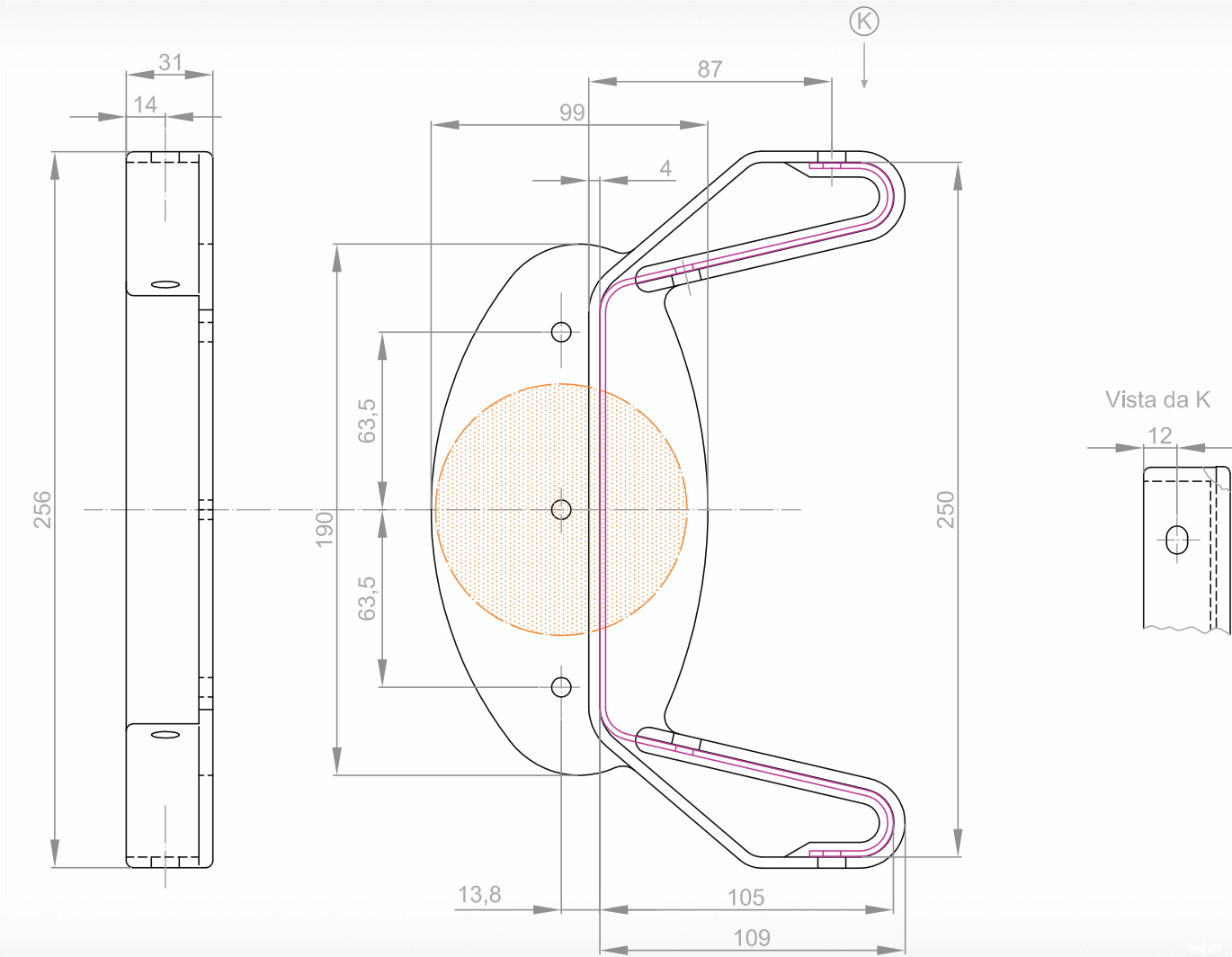
- . Colore nero
- . Materiale: polipropilene (PP)
- . Per barre in alluminio alte (H) 250

### Description

- . Black color
- . Material: polypropylene (PP)
- . For aluminium rear bumpers 250 high (H)

Cod. Covind Covind Ref.	O.E.M O.E.M	Peso Kg. Weight Kg.
<b>PRP/440</b>	42090767	0,110

PRP/470



## cantonalì side bumpers



### Descrizione

- . Colore grigio scuro
- . Materiale: polipropilene (PP)
- . Con catadiotro (Ø 80 mm)
- . Bottoni di fissaggio inclusi
- . Per barre alte (H) 250

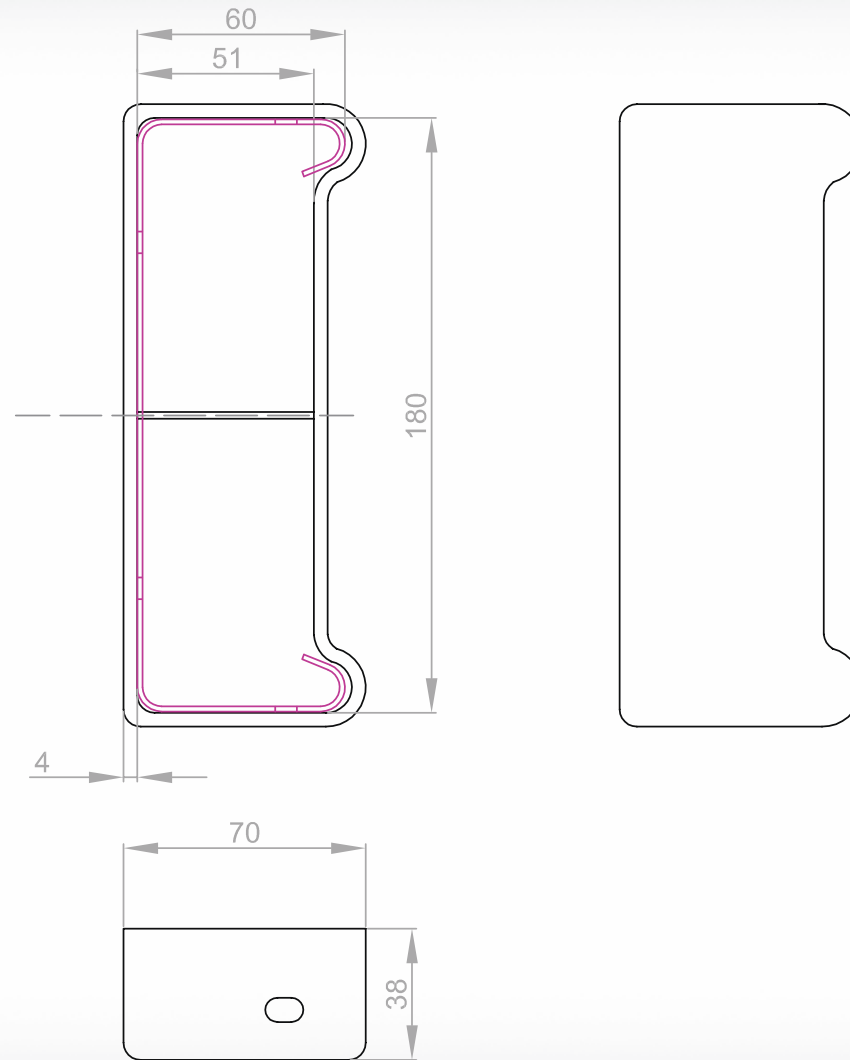
### Description

- . Dark grey color
- . Material: polypropylene (PP)
- . With reflector (Ø 80 mm)
- . Fixing studs included
- . For rear bumpers 250 high (H)

Cod. Covind	Covind Ref.	O.E.M	O.E.M	Peso Kg.	Weight Kg.
PRP/470		-		0,165	



C39/410





### Descrizione

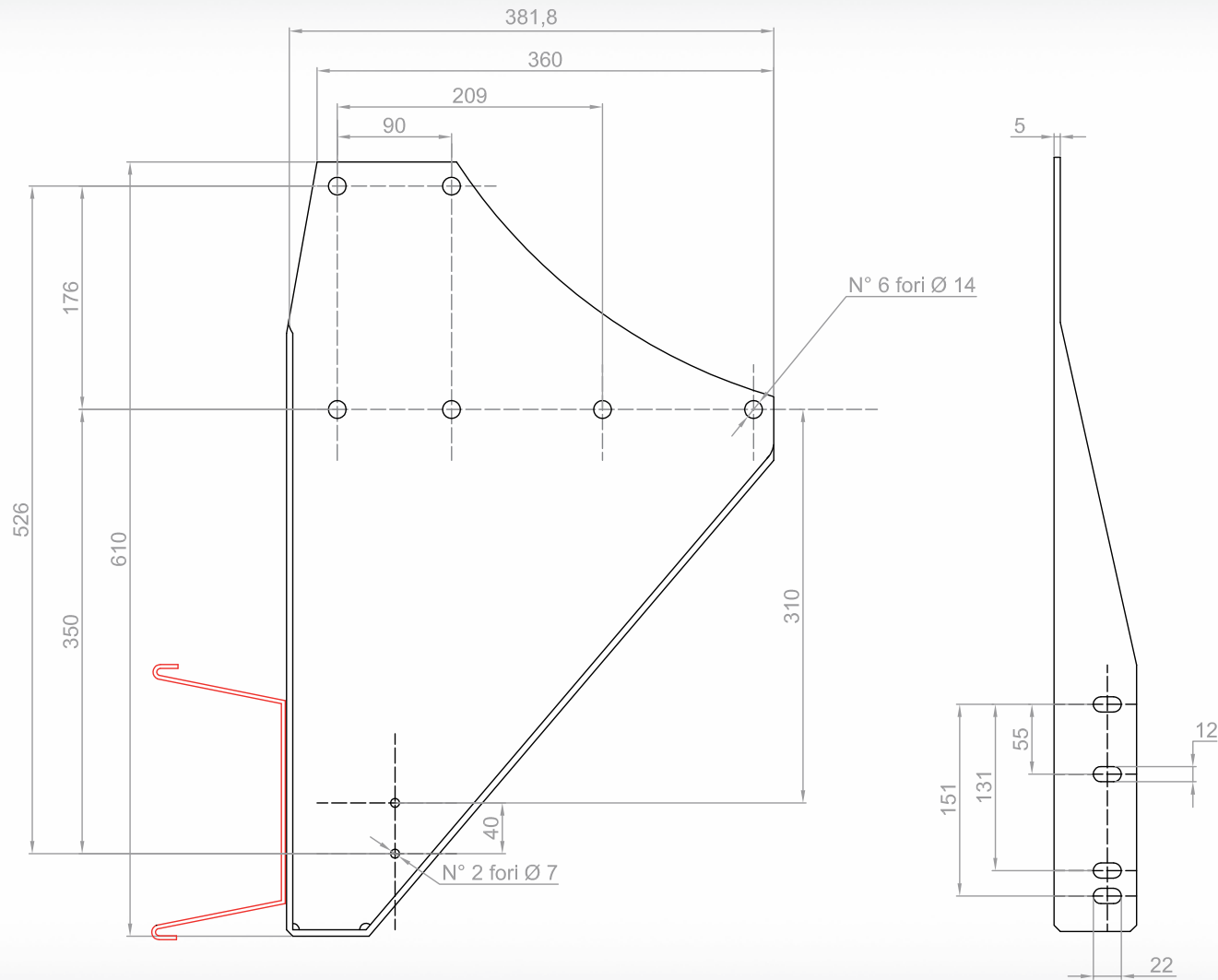
- . Colore nero
- . Materiale: polipropilene (PP)
- . Bottoni di fissaggio inclusi
- . Per barre alte (H) 180

### Description

- . Black color
- . Material: polypropylene (PP)
- . Fixing studs included
- . For rear bumpers 180 high (H)

Cod. Covind	Covind Ref.	O.E.M	O.E.M	Peso Kg.	Weight Kg.
<b>C39/410</b>		500326871		0,08	

# PRP/210 - PRP/211



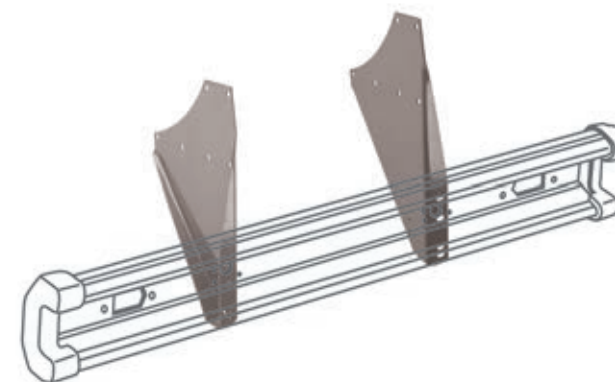


## Descrizione

- . Colore rosso telaio
- . Per barre da mm. 2300
- . In ferro

## Description

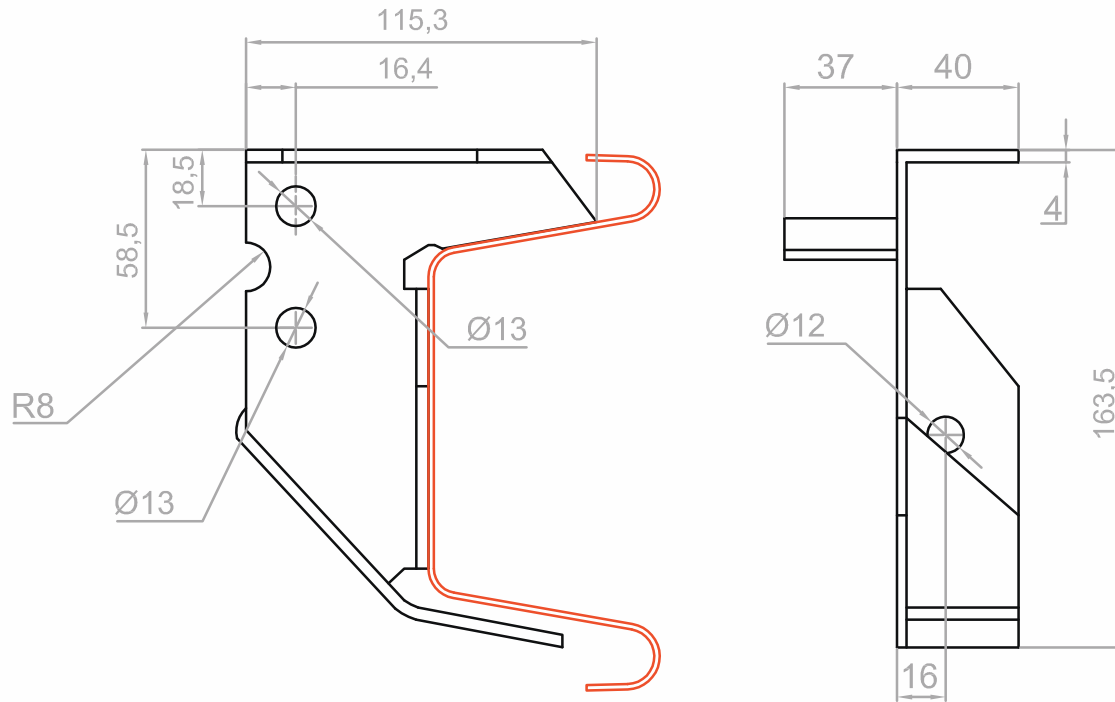
- . Chassis red color
- . For bumpers mm. 2300
- . Iron



simulazione montaggio | assembly layout

Cod. Covind	Covind Ref.	O.E.M	O.E.M	Versione	Version	Spessore (mm)	Thickness (mm)	Peso Kg.	Weight Kg.
PRP/210		42072739	(4742382)	RH		5		7,30	
PRP/211		42072740	(4742383)	LH		5		7,30	

PRP/215



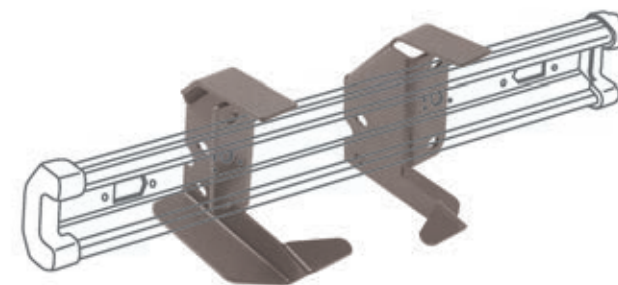


### Descrizione

- . Colore rosso telaio
- . In ferro

### Description

- . Chassis red color
- . Iron

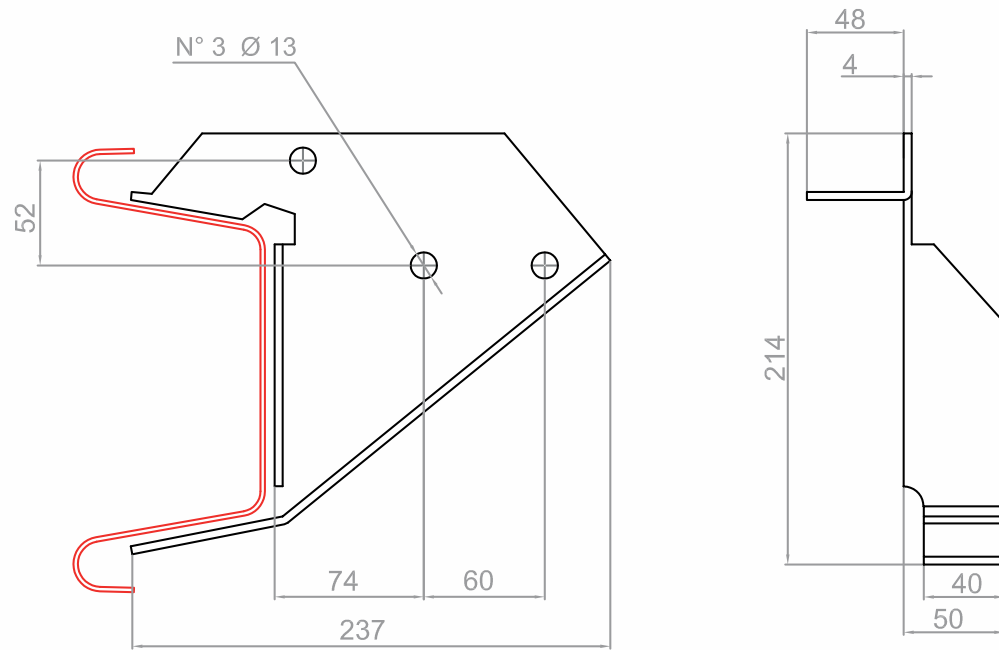


*simulazione montaggio | assembly layout*

Cod. Covind Covind Ref.	O.E.M O.E.M	Versione Version	Spessore (mm) Thickness (mm)	Peso Kg. Weight Kg.
<b>PRP/215</b>	93806578	coppia	5	1,10
	93806579	the pair	5	1,10



PRP/225



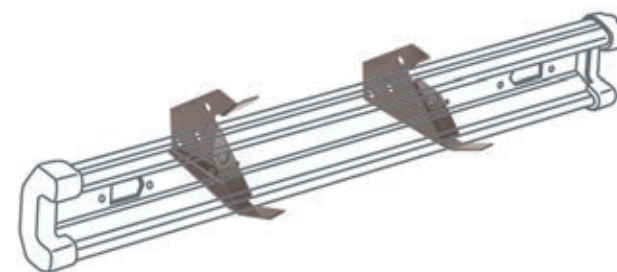


### Descrizione

- . Colore rosso telaio
- . In ferro
- Per barre
- L. 1800 - 1900 - 2050 mm.

### Description

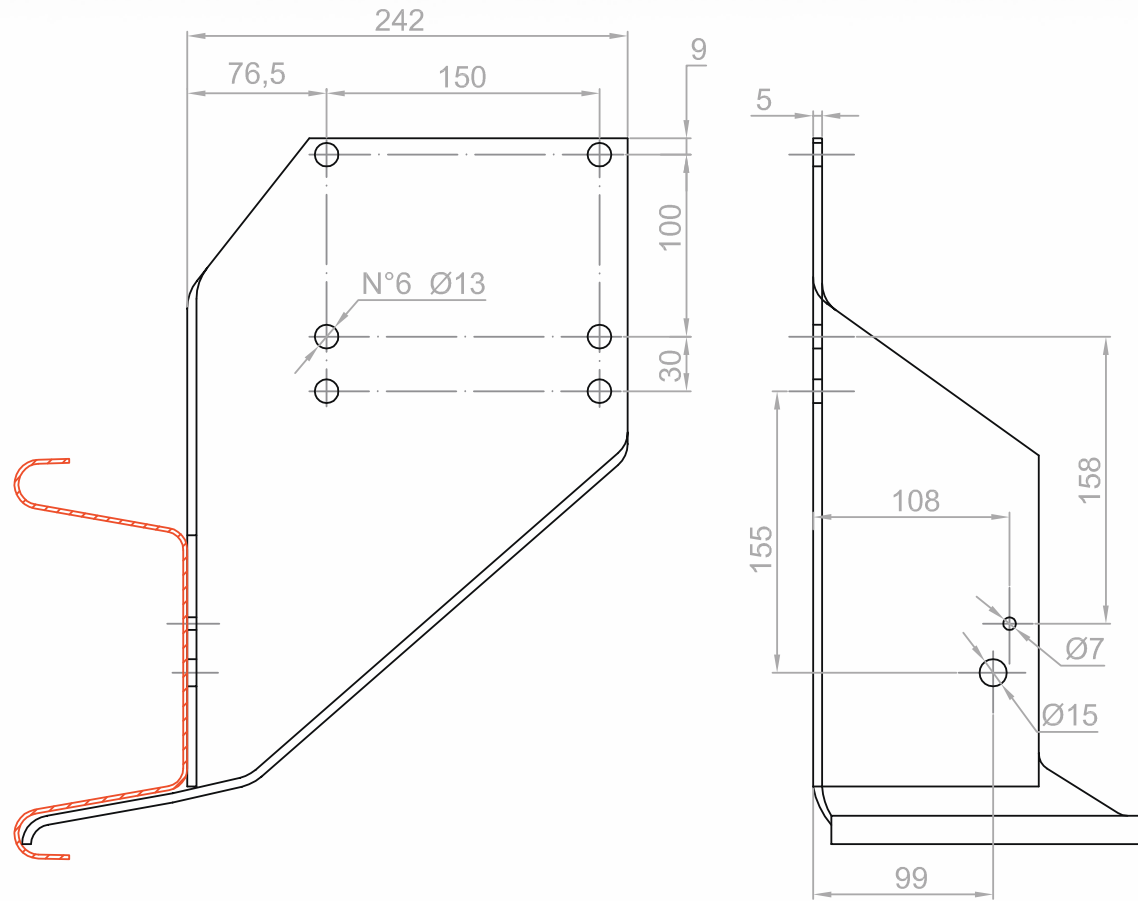
- . Chassis red color
- . Iron
- For bumpers
- L. 1800 - 1900 - 2050 mm.



simulazione montaggio | assembly layout

Cod. Covind	Covind Ref.	O.E.M	O.E.M	Versione	Version	Spessore (mm)	Thickness (mm)	Peso Kg.	Weight Kg.
<b>PRP/225</b>		8582966		coppia		4		1,14	
		8582967		the pair		4		1,14	

PRP/235



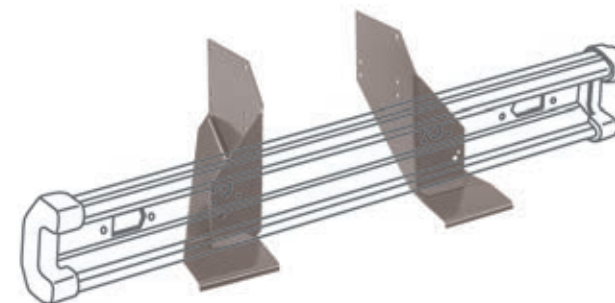


### Descrizione

- . Colore rosso telaio
- . In ferro
- Per barre
- L. 1900 - 2050 - 2100 - 230 mm.

### Description

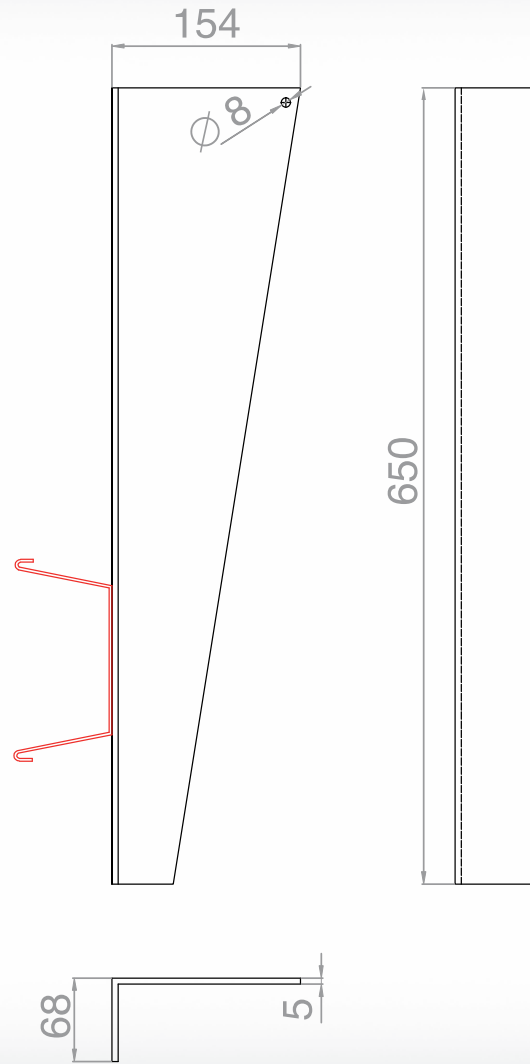
- . Chassis red color
- . Iron
- For bumpers
- L. 1900 - 2050 - 2100 - 230 mm.



simulazione montaggio | assembly layout

Cod. Covind	Covind Ref.	O.E.M	O.E.M	Versione	Version	Spessore (mm)	Thickness (mm)	Peso Kg.	Weight Kg.
<b>PRP/235</b>		8581152		coppia		5		4,90	
		8581153		the pair		5		4,90	

PRP/610



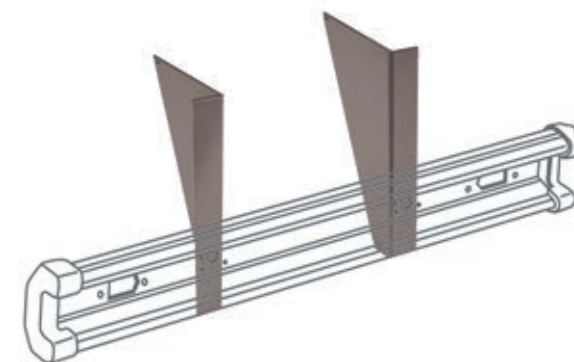


### Descrizione

- . Colore rosso telaio
  - . Per barre da mm. 2300
  - . In ferro
- Unificate per i veicoli commerciali e industriali

### Description

- . Chassis red color
  - . For bumpers mm. 2300
  - . Iron
- Unified for commercial and industrial vehicles

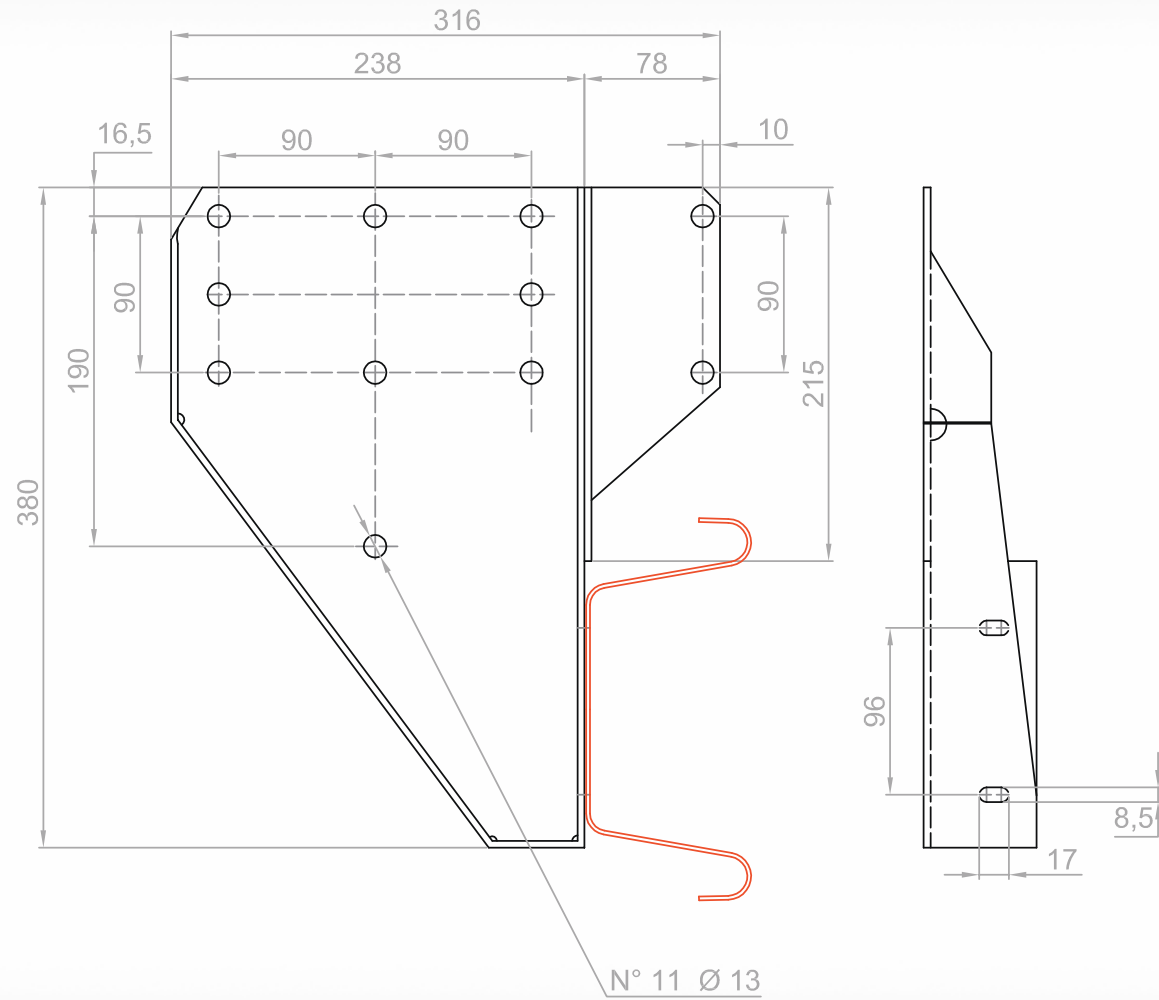


Cod. Covind Covind Ref.	O.E.M O.E.M	Versione Version	Spessore (mm) Thickness (mm)	Peso Kg. Weight Kg.
PRP/610	-	coppia   the pair	4	6,50

*simulazione montaggio | assembly layout*



# PRP/630 - PRP/631



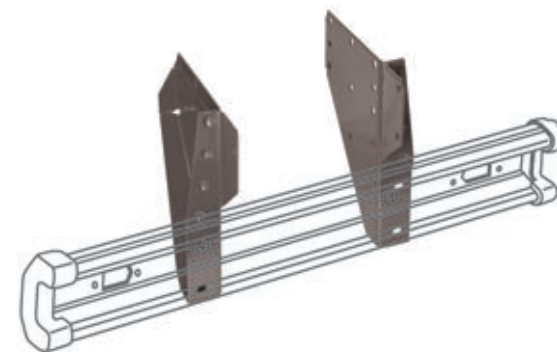


### Descrizione

- . Colore rosso telaio
- . In ferro

### Description

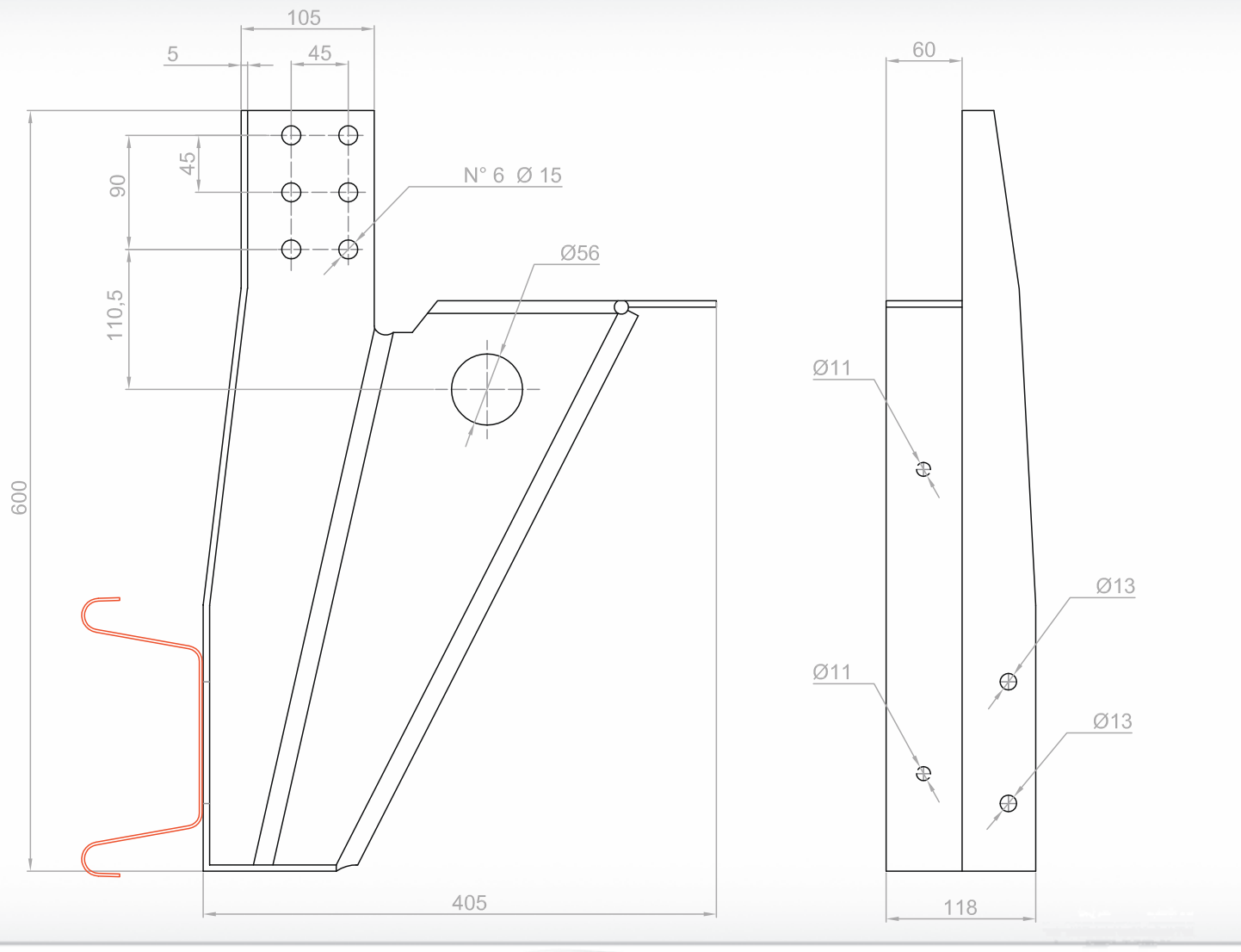
- . Chassis red color
- . Iron



simulazione montaggio | assembly layout

Cod. Covind Covind Ref.	O.E.M O.E.M	Versione Version	Spessore (mm) Thickness (mm)	Peso Kg. Weight Kg.
<b>PRP/630</b>	98419460	RH	4	4,00
<b>PRP/631</b>	98419463	LH	4	4,00

# PRP/635 - PRP/636

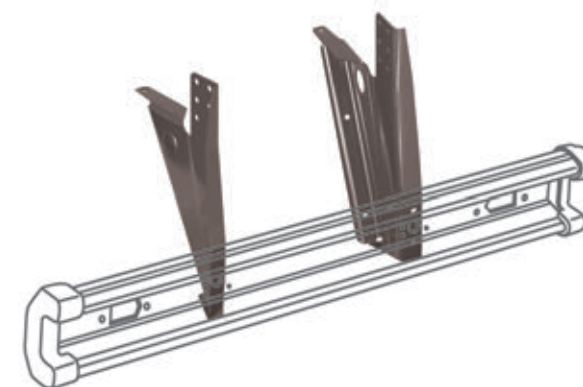


## Descrizione

- . Colore rosso telaio
- . In ferro

## Description

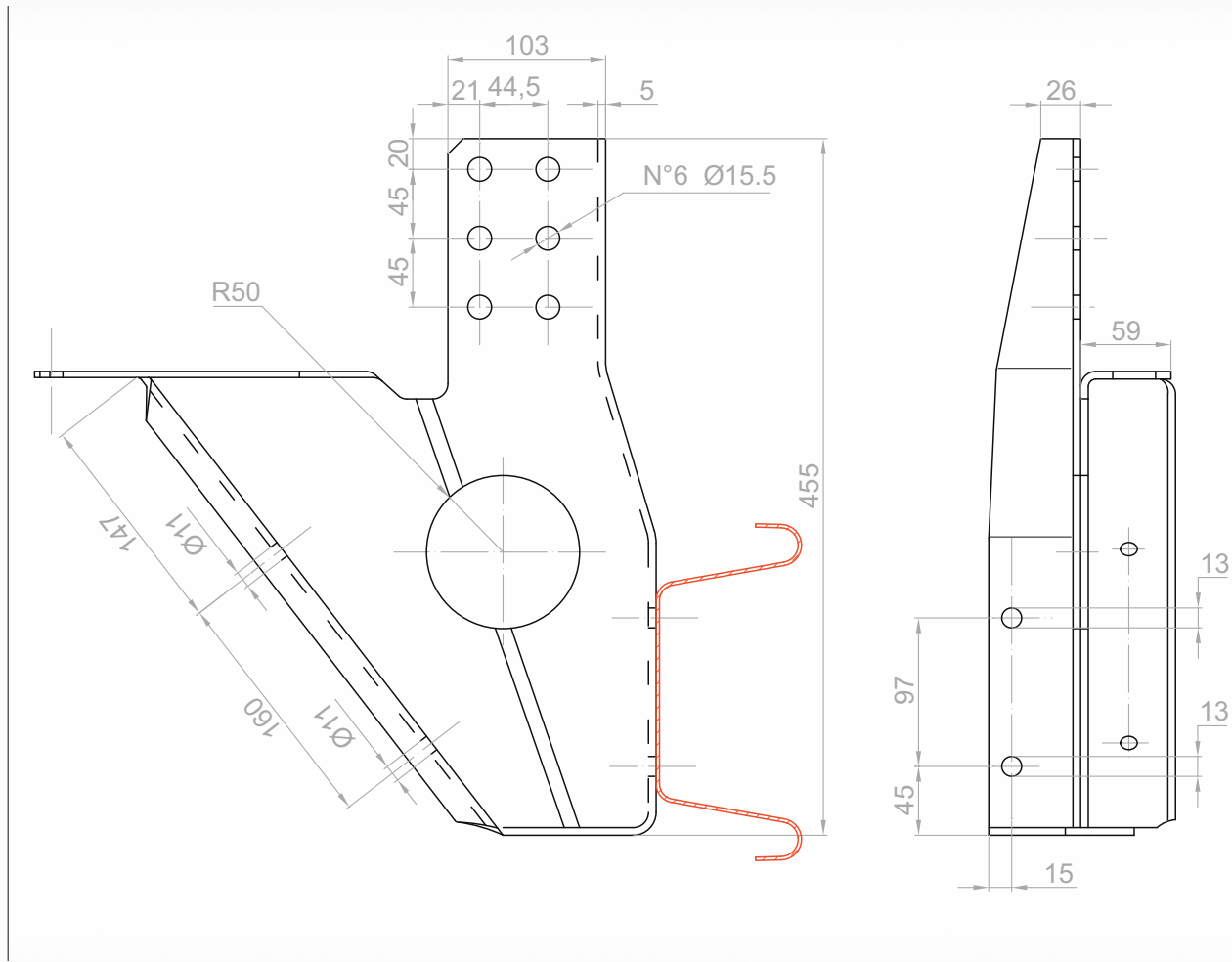
- . Chassis red color
- . Iron



Cod. Covind	Covind Ref.	O.E.M	O.E.M	Versione	Version	Spessore (mm)	Thickness (mm)	Peso Kg.	Weight Kg.
PRP/635		8164308		RH		5		6,60	
PRP/636		8164309		LH		5		6,60	

simulazione montaggio | assembly layout

# PRP/637 - PRP/638

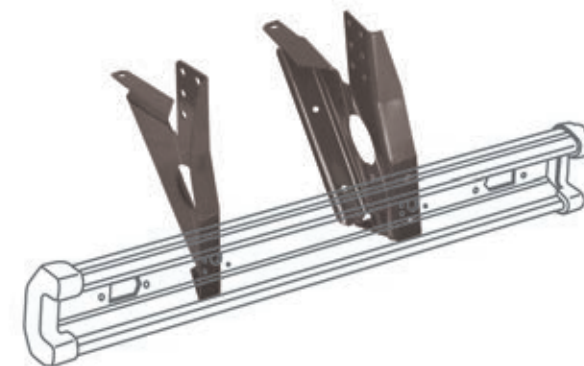


## Descrizione

- . Colore rosso telaio
- . In ferro

## Description

- . Chassis red color
- . Iron

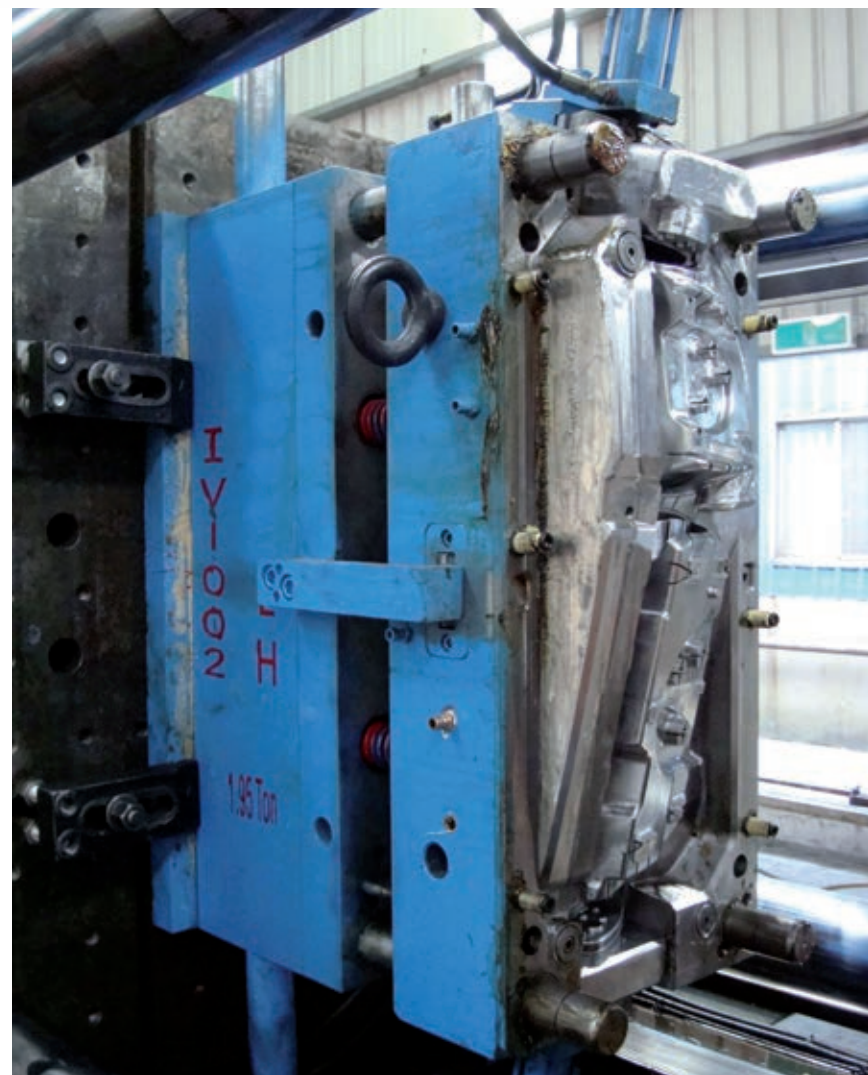
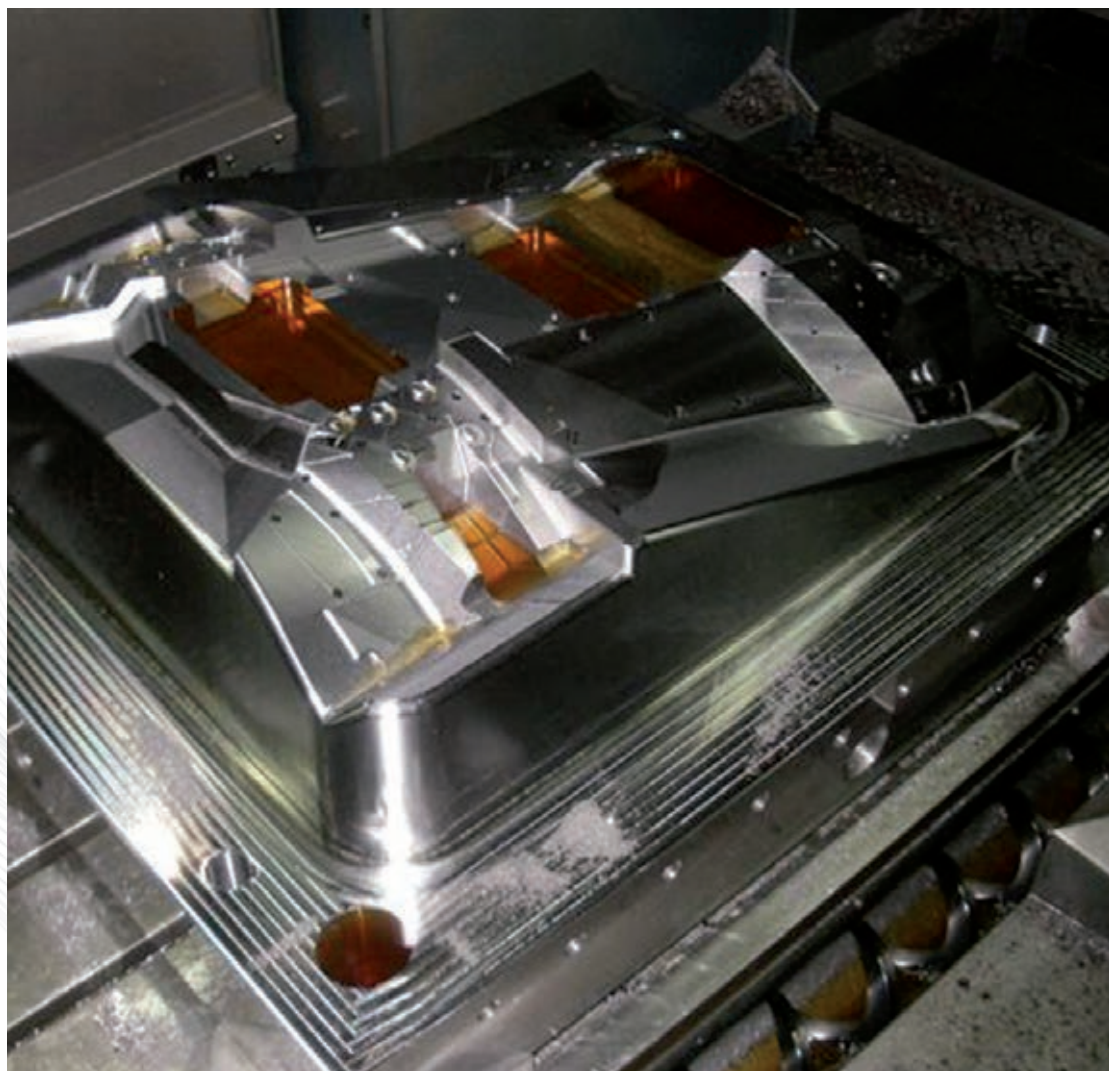


Cod. Covind	Covind Ref.	O.E.M	O.E.M	Versione	Version	Spessore (mm)	Thickness (mm)	Peso Kg.	Weight Kg.
PRP/637		8164897		RH		5		4,80	
PRP/638		8164898		LH		5		4,80	

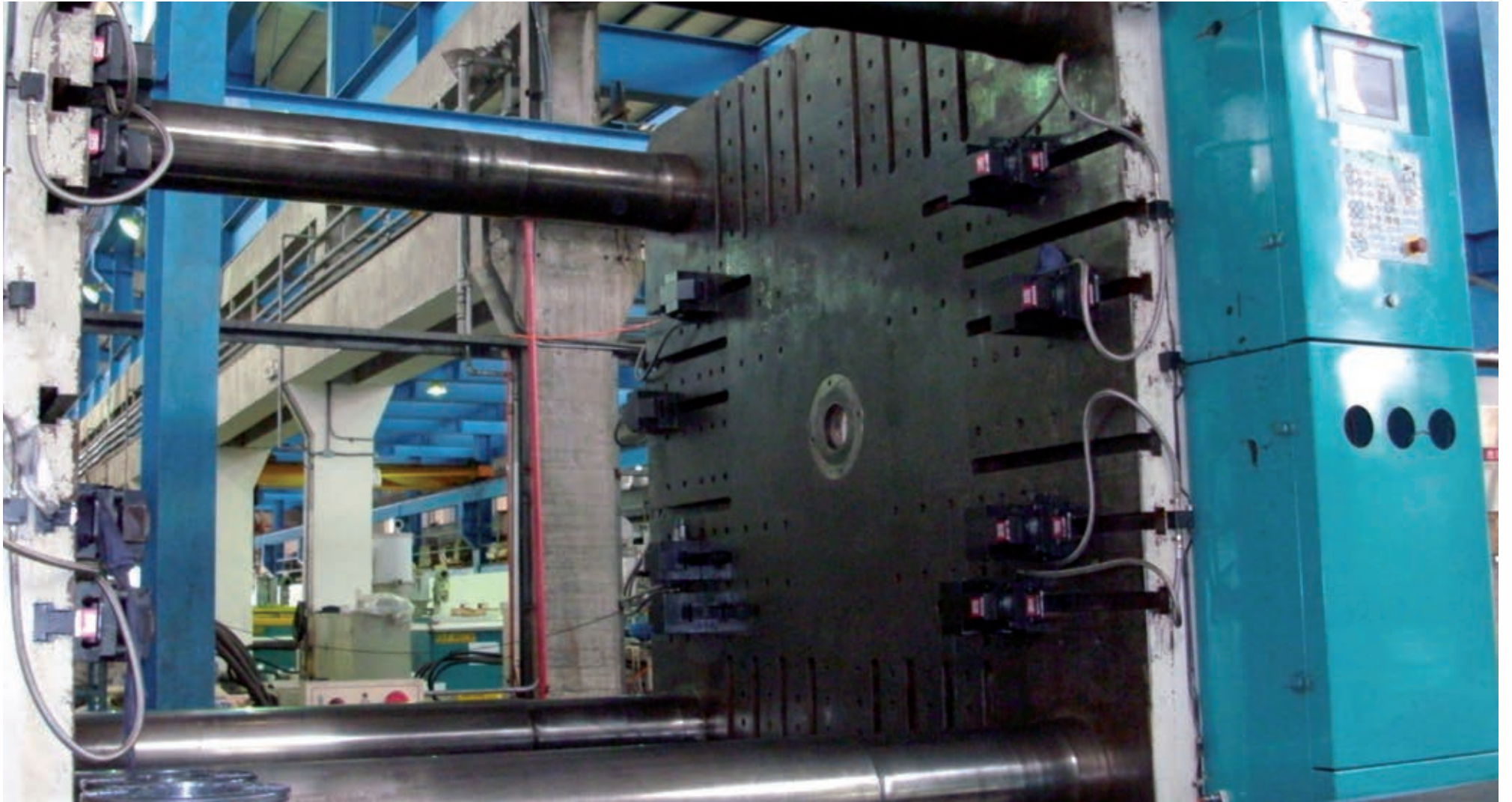
simulazione montaggio | assembly layout



# produzione the production

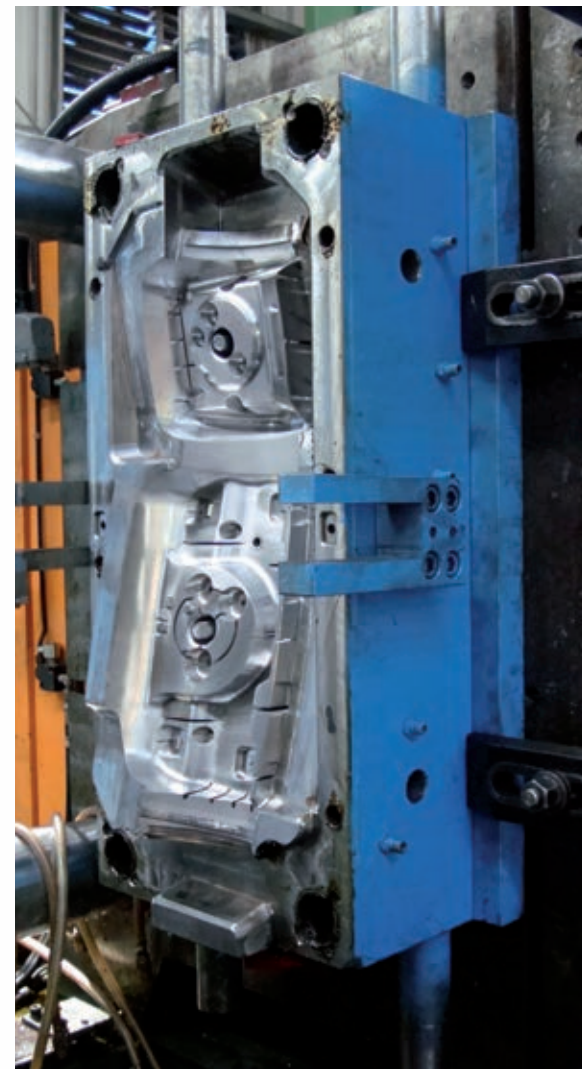




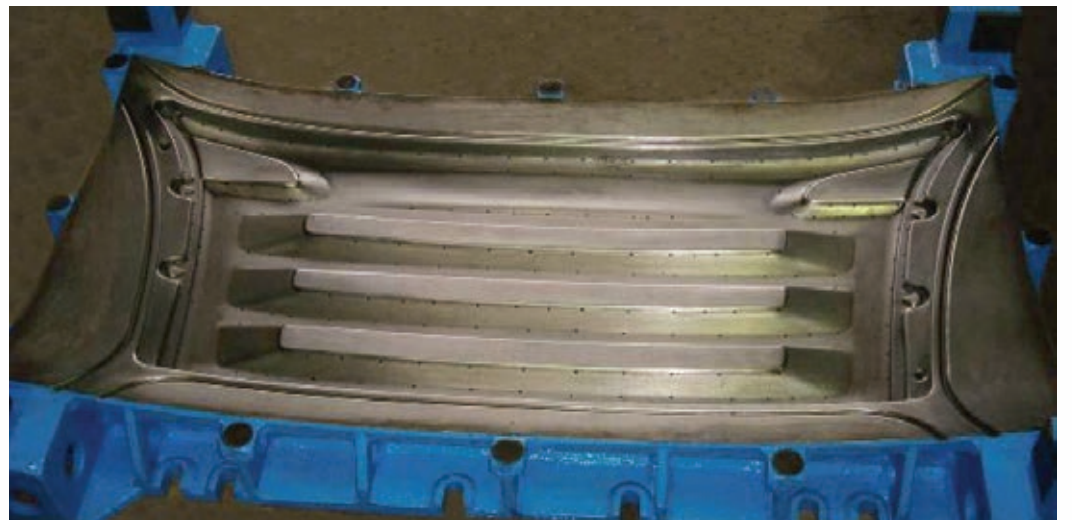
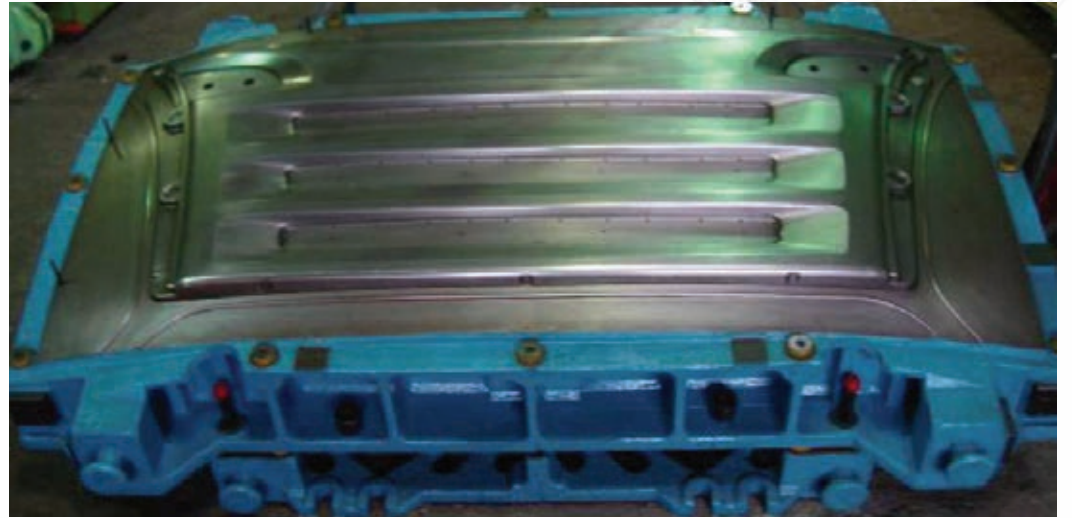
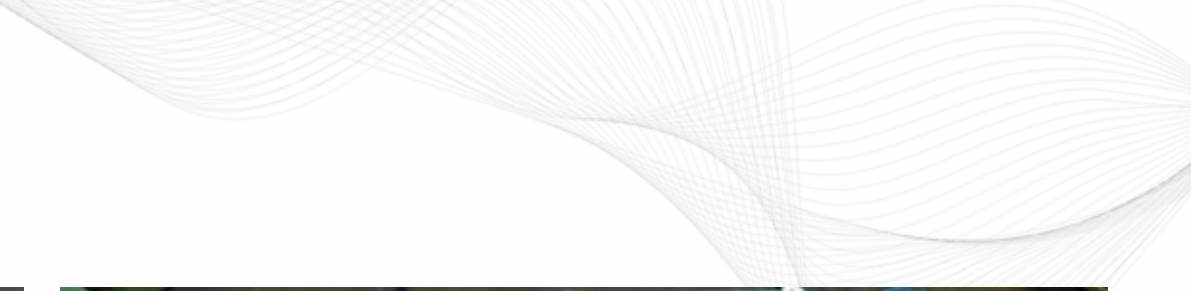




# produzione the production











# produzione the production





# COVIND SPA

## SERVIZIO VENDITE ITALIA DOMESTIC SALES DPT.

 +39 011 8965702


 +39 011 8965714


 +39 011 8965719


 +39 011 8965756


**E.MAIL** [vendite@covind.it](mailto:vendite@covind.it)

## SERVIZIO VENDITE ESTERO INTERNATIONAL SALES DPT.

 +39 011 8965722

 +39 011 8965735

 +39 011 8965759

 +39 011 8005149

**E.MAIL** [export@covind.it](mailto:export@covind.it)





## COVIND S.P.A.

Strada della Cebrosa, 68-70-72  
10036 Settimo Torinese (TO) - ITALY

☎. +39 011 8965711

☎. +39 011 8977830

✉. [marketing@covind.it](mailto:marketing@covind.it)

[www.covind.it](http://www.covind.it)

